



**Distributor of FCI: Excellent Integrated System Limited**

Datasheet of DA3V3P500G40LF - D-Sub Connector Plug, Male Pins 3 (Power) Position  
Through Hole Solder

Contact us: [sales@integrated-circuit.com](mailto:sales@integrated-circuit.com) Website: [www.integrated-circuit.com](http://www.integrated-circuit.com)

---

## **Excellent Integrated System Limited**

Stocking Distributor

Click to view price, real time Inventory, Delivery & Lifecycle Information:

[FCI](#)

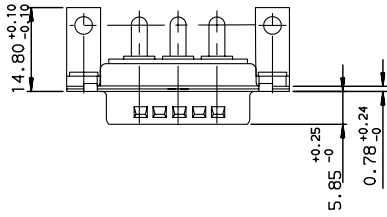
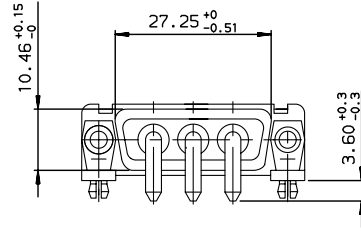
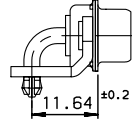
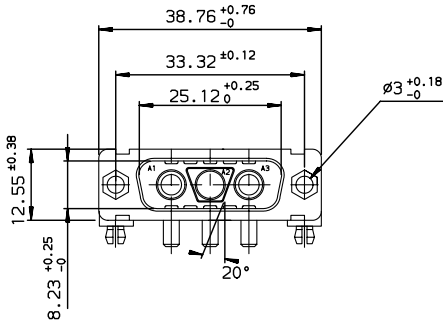
[DA3V3P500G40LF](#)

For any questions, you can email us directly:

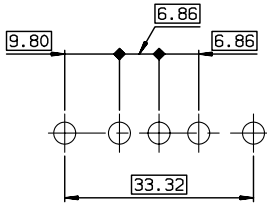
[sales@integrated-circuit.com](mailto:sales@integrated-circuit.com)

Contact us: [sales@integrated-circuit.com](mailto:sales@integrated-circuit.com) Website: [www.integrated-circuit.com](http://www.integrated-circuit.com)

GENERAL CHARACTERISTICS : SEE DRAWING C01-8639-0001



LAYOUT DIMENSIONS (after plating)  
CONNECTOR SIDE VIEW



DA3V3P500G40  
PART NUMBER

European Views

www.fciconnect.com		surface ISO 1302	tolerance std ISO 406 ISO 1101	projection mm
TOLERANCES UNLESS OTHERWISE SPECIFIED		ANGULAR	LINEAR	size A3
Dr	PESSON	2003/09/29	0.X	±0.1
Eng	PESSON	2003/09/29	0.XX	±0.1
Chr	LEGARE	2003/09/29	0.XXX	±0.1
Appr	LEGARE	2003/09/29	0.XXX	±0.1
Product family		SUB Spec ref -		
<b>FCI</b> PIN CONNECTOR FOR POWERS CONTACTS				catalog no C01-8639-1762
CUSTOMER				sheet 1 of 1

rev	ecn no	dr	date
B	-	MPE	2003/09/29
C	LS07-0094	MPE	2007/04/05
-	-	-	-
-	-	-	-
-	-	-	-

Copyright FCI

REV F - 2006-04-17