



Distributor of FCI: Excellent Integrated System Limited

Datasheet of DA3W3P300A30LF - D-Sub Connector Plug, Male Pins 3 (Power) Position
Through Hole Solder

Contact us: sales@integrated-circuit.com Website: www.integrated-circuit.com

Excellent Integrated System Limited

Stocking Distributor

Click to view price, real time Inventory, Delivery & Lifecycle Information:

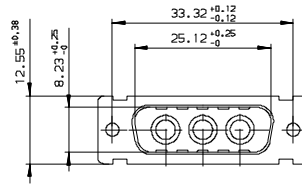
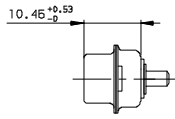
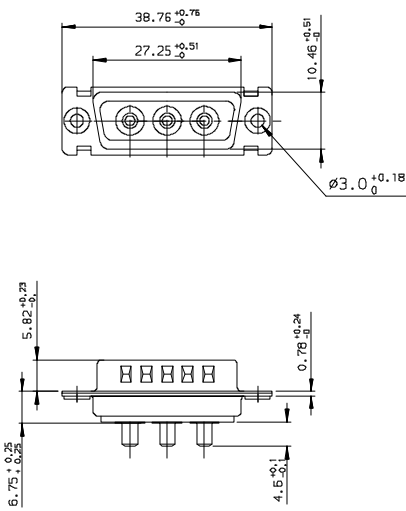
[FCI](#)

[DA3W3P300A30LF](#)

For any questions, you can email us directly:

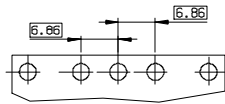
sales@integrated-circuit.com

Contact us: sales@integrated-circuit.com Website: www.integrated-circuit.com



DA3W3P300A30LF
DA3W3P300A40LF
PART NUMBER

LAYOUT DIMENSIONS (after plating)
CONNECTOR SIDE VIEW



GENERAL CHARACTERISTICS AND ROHS INFORMATIONS:
SEE DRAWING C01-8639-0001

European Views

www.fciconnect.com		surface ISO 1302	tolerance std ISO 406 ISO 1101	projection 	mm
		TOLERANCES UNLESS OTHERWISE SPECIFIED			
Dr	PESSON	2005/11/22	ANGULAR	0.X	±0.1
Eng	PESSON	2005/11/22	LINEAR	0.XX	±0.1
Chr	LEGARE	2005/11/22	MIT ±2°	0.XXX	±0.1
Appr	LEGARE	2005/11/22	Product family	D-SUB	Spec ref -
FCJ Title PIN CONNECTOR SUB D WITH POWERS CONTACTS				no dwg	C01-8639-2297
catalog no				CUSTOMER	sheet 1 of 1

rev	ecm no	dr	date
A	LS05-0106	MPE	2005/11/22
B	LS06-0095	LGO	2006/06/17
-	-	-	-
-	-	-	-
-	-	-	-
-	-	-	-

REV F - 2006-04-17