



Distributor of FCI: Excellent Integrated System Limited

Datasheet of DAO3W3P343G30LF - D-Sub Connector Plug, Male Pins 3 (Power) Position
Through Hole Solder

Contact us: sales@integrated-circuit.com Website: www.integrated-circuit.com

Excellent Integrated System Limited

Stocking Distributor

Click to view price, real time Inventory, Delivery & Lifecycle Information:

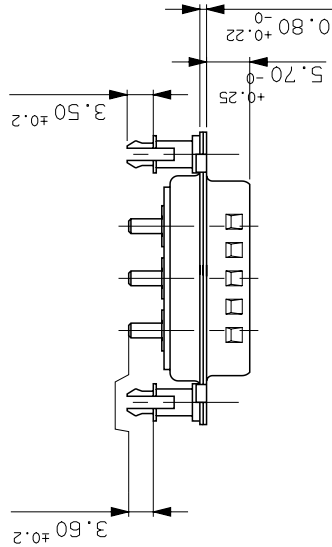
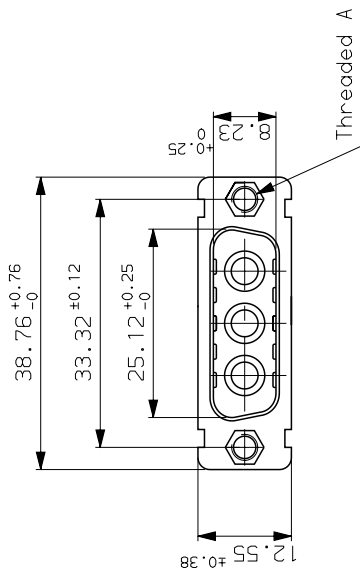
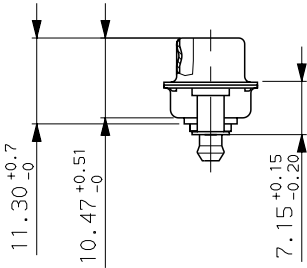
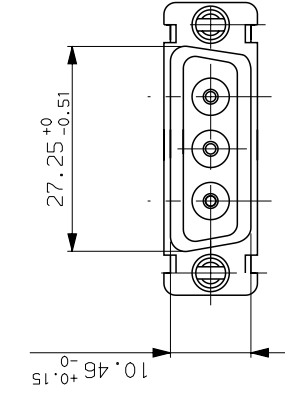
[FCI](#)

[DAO3W3P343G30LF](#)

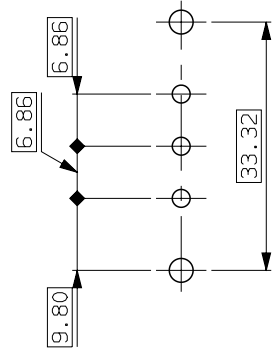
For any questions, you can email us directly:

sales@integrated-circuit.com

GENERAL CHARACTERISTICS : SEE DRAWING C01-8639-0001



LAYOUT DIMENSIONS (after plating)
CONNECTOR SIDE VIEW



DAL3W3P343G30	M3
DAO3W3P343G30	UNC 4.40
PART NUMBER	Threaded A

b	29/09/03	update
ISS DATE	Latest modification by : DEBRAY.T	MOD N°
Designed by: JARRY	date: 29/12/00	Type of drawing: CLIENT
TITLE : PIN CONNECTORS SUB D SCREWS + HARPOONS		
SCALE: 1:3	SHEET 01	
	FRAMATOME CONNECTORS FRANCE Rue Louis Breguet - Bp 05 72024 LE MANS Cedex Tel. 33 (16) 43.84.08.43	This document is the property of FRAMATOME CONNECTORS FRANCE It must not be reproduced or communicated without permission in writing from the owners
	SOURIAU DRG N° C01-8639-1783	
FORMAT A3	PROJECT M94D001	

