



Distributor of FCI: Excellent Integrated System Limited

Datasheet of DAV11W1S500G00LF - D-Sub Connector Receptacle, Female Sockets 11 (10 + 1 Power) Position Through Hole, Right Angle Solder

Contact us: sales@integrated-circuit.com Website: www.integrated-circuit.com

Excellent Integrated System Limited

Stocking Distributor

Click to view price, real time Inventory, Delivery & Lifecycle Information:

[FCI](#)

[DAV11W1S500G00LF](#)

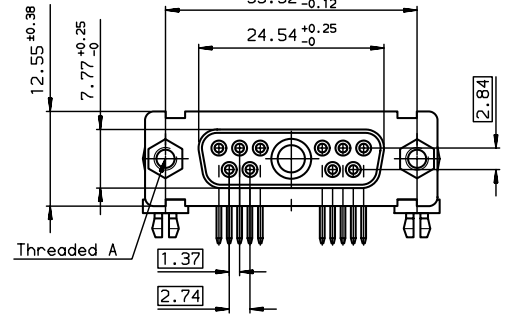
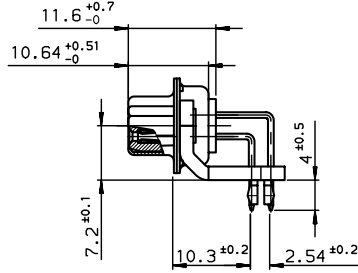
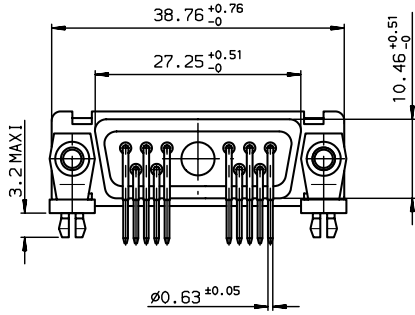
For any questions, you can email us directly:

sales@integrated-circuit.com

Contact us: sales@integrated-circuit.com Website: www.integrated-circuit.com

GENERAL CHARACTERISTICS and RoHS INFORMATIONS

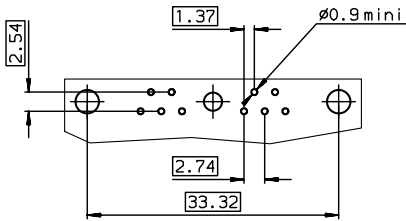
see drawing C01-8639-0003



P/N LEAD FREE

DAV11W1S500G00LF	UNC 4.40
PART NUMBER	Threaded A

LAYOUT DIMENSIONS (after plating)
CONNECTOR SIDE VIEW



European Views

www.fciconnect.com		surface ISO 1302	tolerance std ISO 406 ISO 1101	projection mm
		TOLERANCES UNLESS OTHERWISE SPECIFIED		
Dr	M PESSON	2008/01/16	ANGULAR	0.X ±0.1
Eng	PESSON	2008/01/16	L INEAR	0.XX ±0.1
Chr	LEGARE	2008/01/16	0.XX ±2°	0.XXX ±0.1
Appr	LEGARE	2008/01/16	Product family	D-SUB
FCI		title SOCKET CONNECTOR 11W1 RA WITHOUT POWERS CONTACTS		Rev. A
catalog no		C-8639-2355		Spec ref -
		CUSTOMER		sheet 1 of 1

rev	ecm no	dr	date
A	LS08-0012	MPE	2008/01/16
-	-	-	-
-	-	-	-
-	-	-	-
-	-	-	-
-	-	-	-
-	-	-	-