

Excellent Integrated System Limited

Stocking Distributor

Click to view price, real time Inventory, Delivery & Lifecycle Information:

[FCI](#)

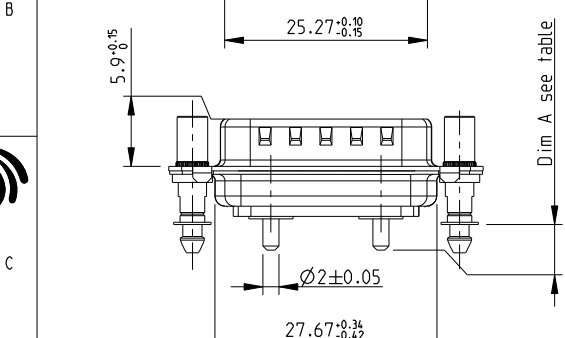
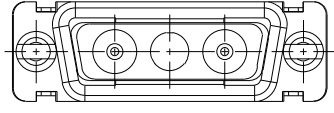
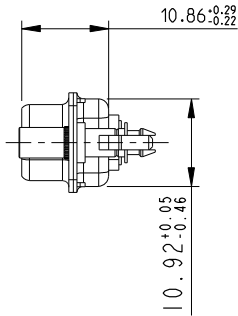
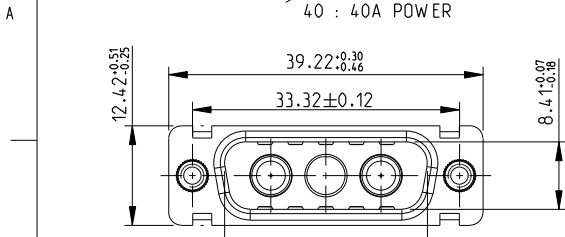
[DAV3W3P300G305JLF](#)

For any questions, you can email us directly:

sales@integrated-circuit.com

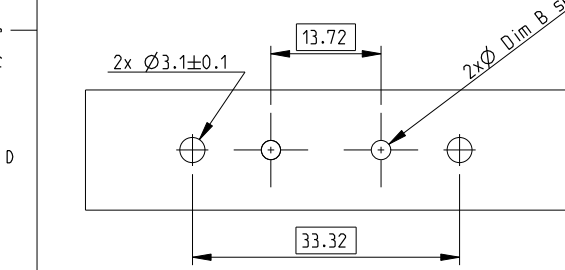
PART NUMBER
DAV3W3P300GXX5JLF

30 : 30A POWER
40 : 40A POWER



	Dim A ±0.25	ØDim B ±0.1
30A	3.1	2.40
40A	3.6	3.10

NOTES
1 - 5J FOR UNMOUNTED MIDDLE POWER CONTACT
2 - GENERAL CHARACTERISTICS AND ROHS INFORMATIONS
SEE DRAWING NUMBER : C01-8639-2241



www.fciconnect.com				surface ISO 1302	tolerance std ISO 406 ISO 1101	projection mm	
				TOLERANCES UNLESS OTHERWISE SPECIFIED			
Dr	A Parrenin	10/09/22		ANGULAR	0.x ±/	size A4	Scale 3:2
Eng	A Parrenin	10/09/22		LINEAR	0.xx ±/	ECN	F10-0225
Chr	L Saillard	10/09/22		0° ±/	0.xxx ±/	Spec ref	/
Appr	/	/		Product family			
FCI Specific 3W3 SUB-D catalog no						Part no C01-8639-2360	Rev. A
						CUSTOMER	sheet 1 of 1

REV 1 - 2004-03-28

Copyright FCI.