



**Distributor of FCI: Excellent Integrated System Limited**

Datasheet of DB17W2P300A7HLF - D-Sub Connector Plug, Male Pins 17 (15 + 2 Power)  
Position Through Hole Solder

Contact us: [sales@integrated-circuit.com](mailto:sales@integrated-circuit.com) Website: [www.integrated-circuit.com](http://www.integrated-circuit.com)

---

## Excellent Integrated System Limited

Stocking Distributor

Click to view price, real time Inventory, Delivery & Lifecycle Information:

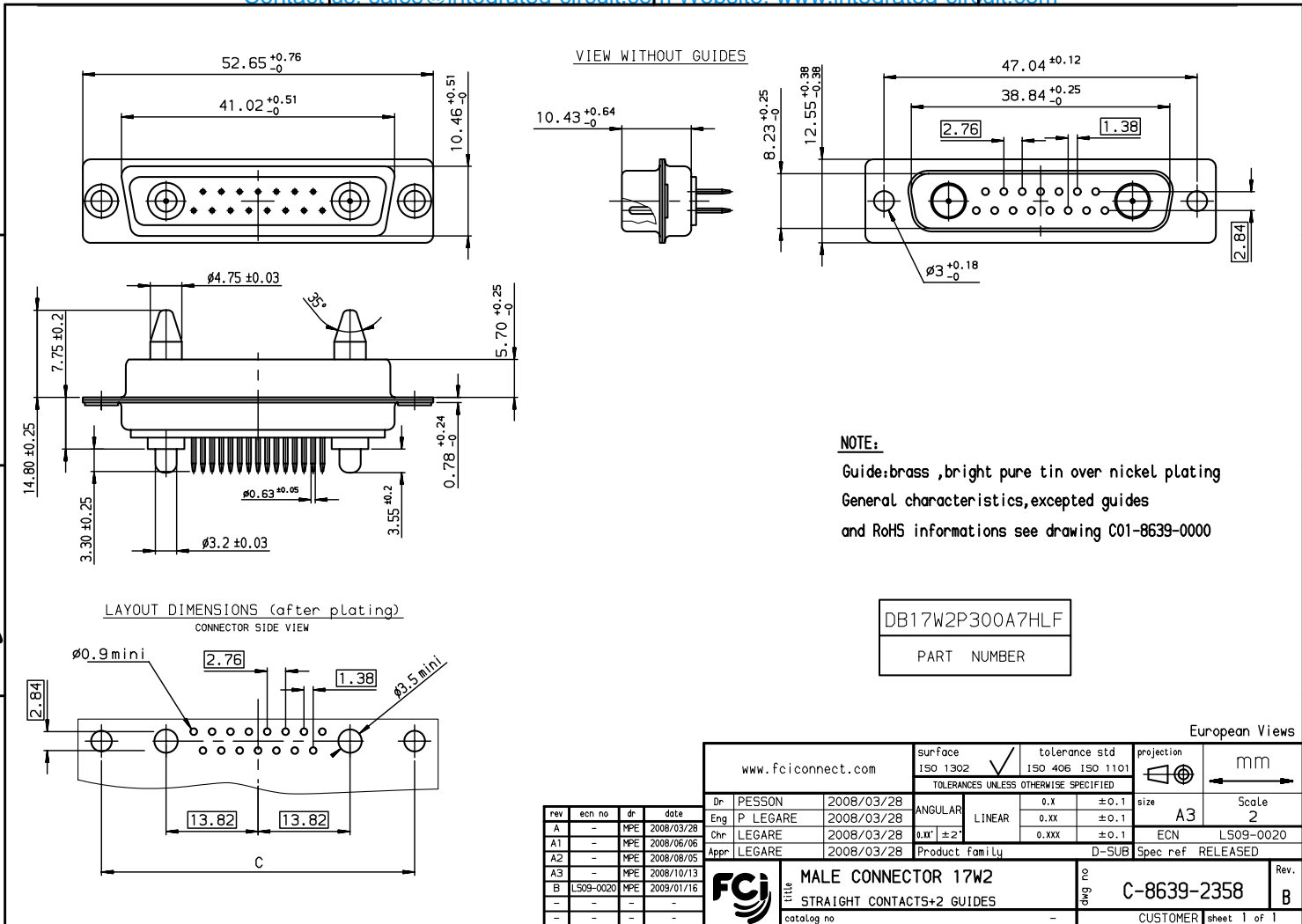
[FCI](#)

[DB17W2P300A7HLF](#)

For any questions, you can email us directly:

[sales@integrated-circuit.com](mailto:sales@integrated-circuit.com)

Contact us: [sales@integrated-circuit.com](mailto:sales@integrated-circuit.com) Website: [www.integrated-circuit.com](http://www.integrated-circuit.com)



Copyright FCI

| rev | ecn no    | dr  | date       |
|-----|-----------|-----|------------|
| A   | -         | MPE | 2008/03/28 |
| A1  | -         | MPE | 2008/06/06 |
| A2  | -         | MPE | 2008/06/05 |
| A3  | -         | MPE | 2008/10/13 |
| B   | L509-0020 | MPE | 2009/01/16 |
| -   | -         | -   | -          |
| -   | -         | -   | -          |

|                                                          |  |                                       |                                   |                       |                      |
|----------------------------------------------------------|--|---------------------------------------|-----------------------------------|-----------------------|----------------------|
| www.fciconnect.com                                       |  | surface<br>ISO 1302                   | tolerance std<br>ISO 406 ISO 1101 | projection<br>mm      | Scale<br>2           |
| Dr: PESSON 2008/03/28                                    |  | TOLERANCES UNLESS OTHERWISE SPECIFIED |                                   | size<br>A3            | ECN<br>L509-0020     |
| Eng: P LEGARE 2008/03/28                                 |  | ANGULAR                               | LINEAR                            | ±0.1                  | Spec ref<br>RELEASED |
| Chr: LEGARE 2008/03/28                                   |  | 0.XX                                  | 0.XXX                             | ±0.1                  |                      |
| Appr: LEGARE 2008/03/28                                  |  | 0.XX ±2                               |                                   | ±0.1                  |                      |
| Product family                                           |  | D-SUB                                 |                                   |                       |                      |
| FCI<br>MALE CONNECTOR 17W2<br>STRAIGHT CONTACTS+2 GUIDES |  |                                       | Rev. 2                            | C-8639-2358           |                      |
| catalog no                                               |  |                                       |                                   | CUSTOMER sheet 1 of 1 |                      |