

Excellent Integrated System Limited

Stocking Distributor

Click to view price, real time Inventory, Delivery & Lifecycle Information:

[ebm-papst Inc.](#)
[R2E225-BE47-09](#)

For any questions, you can email us directly:
sales@integrated-circuit.com

R2E225-BE47-09

AC centrifugal fan

backward curved

ebm-papst Mulfingen GmbH & Co. KG

Bachmühle 2 · D-74673 Mulfingen

Phone +49 7938 81-0

Fax +49 7938 81-110

info1@de.ebmpapst.com

www.ebmpapst.com

Limited partnership · Headquarters Mulfingen

County court Stuttgart · HRA 590344

General partner: Elektrobau Mulfingen GmbH · Headquarters Mulfingen

County court Stuttgart · HRB 590142

Nominal data

Type	R2E225-BE47-09		
Motor	M2E068-EC		
Phase		1~	1~
Nominal voltage	VAC	230	230
Frequency	Hz	60	60
Type of data definition		-	fa
Valid for approval / standard		UL	CE
Speed	min ⁻¹	2880	3000
Power input	W	215	185
Current draw	A		0.81
Motor capacitor	µF	5	5
Capacitor voltage	VDB	400	400
Capacitor standard		UL	-
Min. back pressure	Pa		0
Max. ambient temperature	°C	-	40

ml = max. load · me = max. efficiency · fa = running at free air · cs = customer specs · cu = customer unit
 Subject to alterations

R2E225-BE47-09

AC centrifugal fan

backward curved

Technical features

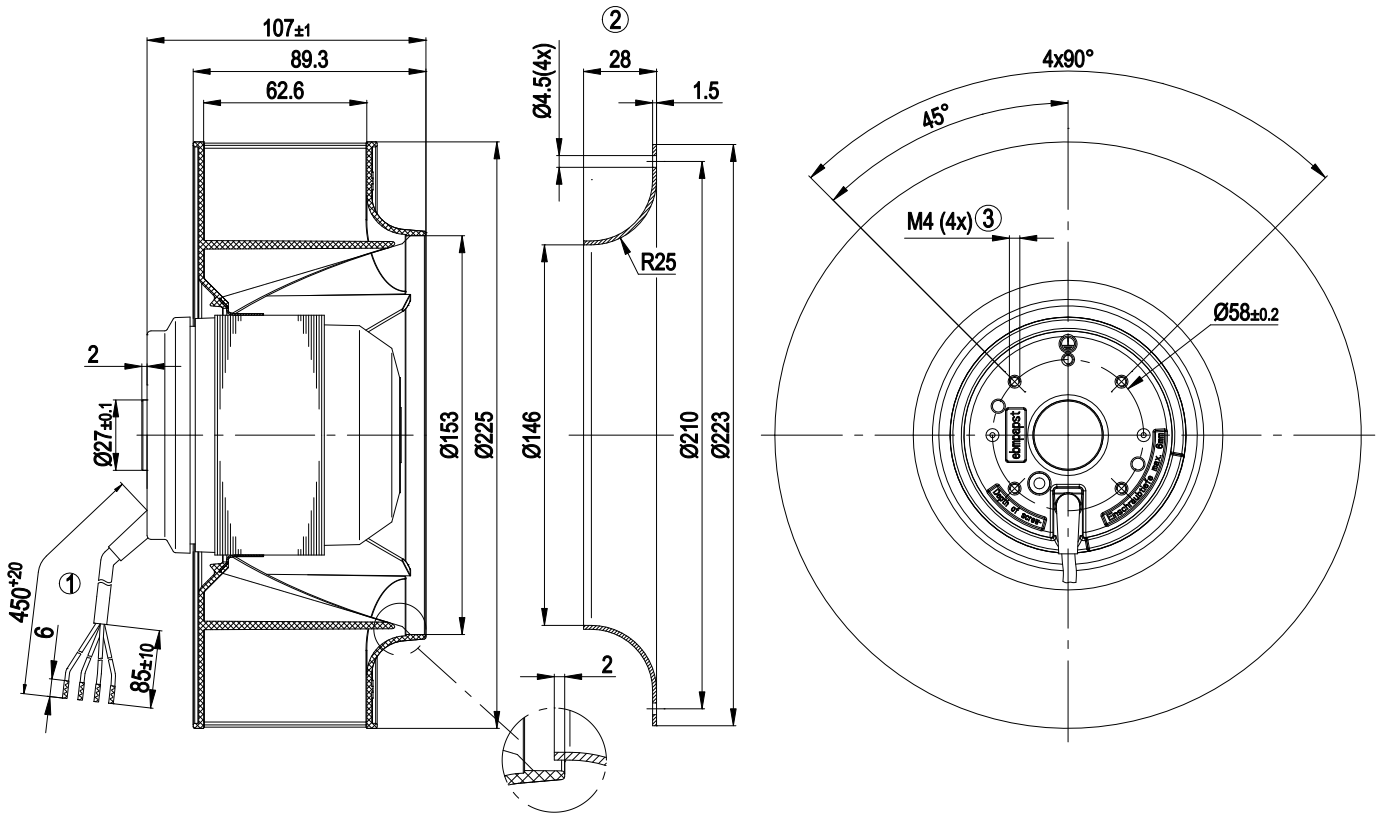
Mass	2.8 kg
Size	225 mm
Material of impeller	Plastic PA6, fibreglass-reinforced
Number of blades	7
Direction of rotation	Clockwise, seen on rotor
Type of protection	IP 44; Depending on installation and position
Insulation class	"B"
Humidity class	F0
Max. permissible ambient motor temp. (transp./ storage)	+ 80 °C
Min. permissible ambient motor temp. (transp./storage)	- 40 °C
Mounting position	Any
Condensate discharge holes	None
Operation mode	S1
Motor bearing	Ball bearing
Leakage current	< 0.75 mA
Motor protection	Thermal overload protector (TOP) wired internally
Cable exit	Variable
Protection class	I (if protective earth is connected by customer)
Product conforming to standard	CE
Approval	UL 2111; CSA C22.2 Nr.77

R2E225-BE47-09

AC centrifugal fan

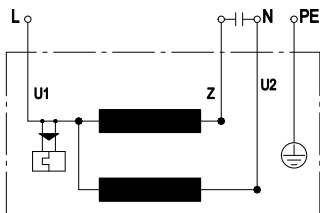
backward curved

Product drawing



- 1 Connection line PVC 4G AWG20, 4x brass lead tips crimped
- 2 Accessory: Inlet nozzle 96358-2-4013, not included in the standard scope of delivery
- 3 Depth of screw max. 6 mm

Connection screen

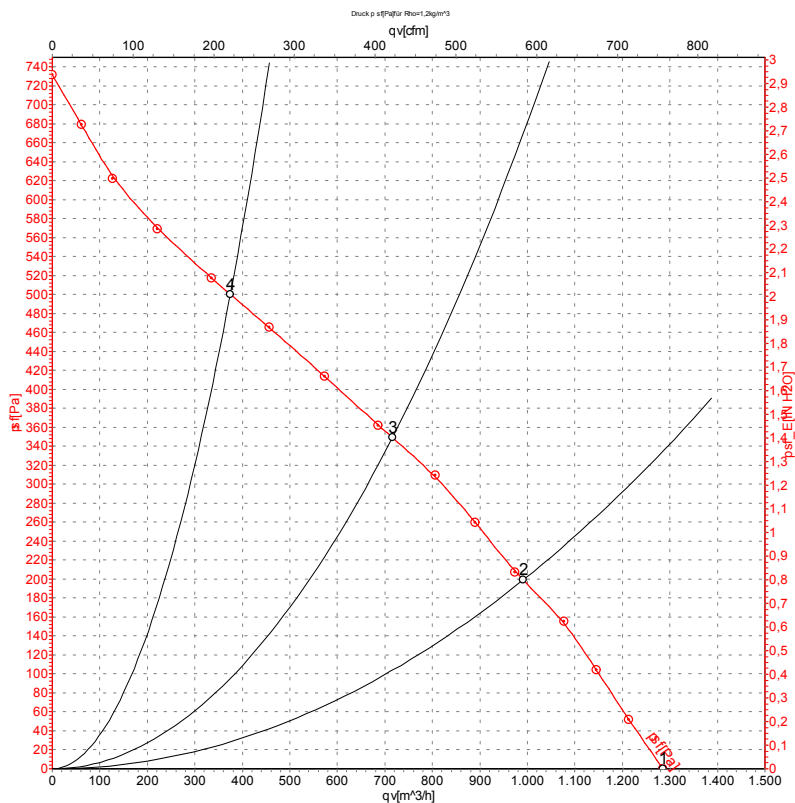


U1	blue	Z	brown	U2	black
PE	green/yellow				

R2E225-BE47-09

AC centrifugal fan
 backward curved

Charts: Air flow 60 Hz



Measurement: LU-52658

Air performance measured as per ISO 5801 Installation category A. For detailed information on the measuring set-up, please contact ebm-papst. Suction-side noise levels: L_{WA} measured as per ISO 13347 / L_{pA} measured with 1m distance to fan axis. The values given are valid under the measuring conditions mentioned above and may vary according to the actual installation situation. With any deviation from the standard set-up, the specific values have to be checked and reviewed with the unit installed.

Measured values

	U	f	n	P _e	I	q _v	p _{sf}
	V	Hz	min ⁻¹	W	A	m ³ /h	Pa
1	230	60	3000	185	0.81	1285	0
2	230	60	2930	195	0.85	990	200
3	230	60	2845	208	0.90	715	350
4	230	60	2960	190	0.83	375	500