



Distributor of FCI: Excellent Integrated System Limited

Datasheet of DEM09PSP280 - D-Sub Connector Plug, Male Pins 9 Position Free Hanging (In-Line) Solder Cup

Contact us: sales@integrated-circuit.com Website: www.integrated-circuit.com

Excellent Integrated System Limited

Stocking Distributor

Click to view price, real time Inventory, Delivery & Lifecycle Information:

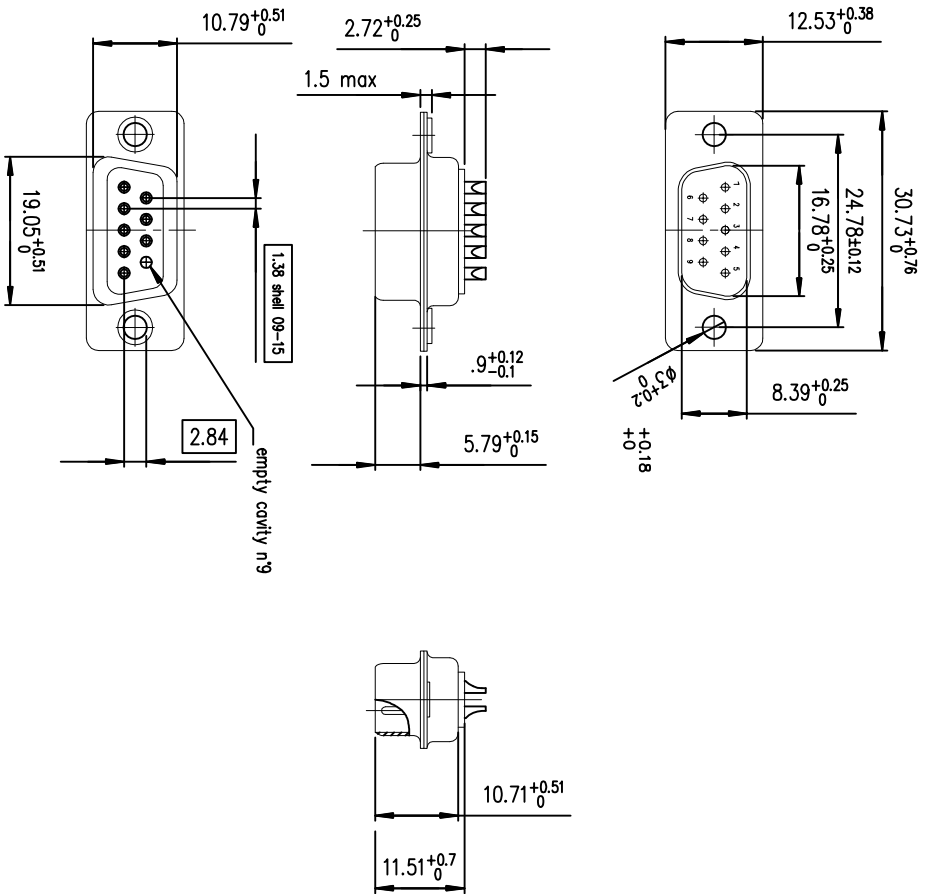
[FCI](#)

[DEM09PSP280](#)

For any questions, you can email us directly:

sales@integrated-circuit.com

PRODUCT NUMBER
DEM09PSP280



European View

ELECTRICAL DATA

-I max	7.5A
-Contact resistance	<7.5mΩ
-Insulation resistance	>5000MΩ
-TEST VOLTAGE	
contact/contact	>1000V
contact/ground	>1200V

MECHANICAL DATA

-Contact force	>0.20N
-Retention force	>40N
-Insertion force	according to DIN41652 Part 2
-Withdrawal force	according to DIN41652 Part 2
-Mechanical endurance	500 matings / unmatings
-Material shell	steel
-Material insulator	glass filled thermoplastic UL94V0
-Material contacts	pin: brass.
-Finish on contact area	gold over nickel
-Finish on termination end	gold over nickel

ENVIRONMENTAL DATA

-Climatic category	-55° / +125°/56
-Corrosion	salt spray: 48h

rev	ech no	dr	date
A	-	MPE	2005/10/24
B	-	MPE	2005/11/21
C	-	MPE	2005/12/19
D	-	MPE	2005/01/04
E	LS06-0007	MPE	2006/01/09
F	LS06-0097	LCO	2006/07/27
G	FT0-0021	LSA	2010/03/25

www.fciconnect.com		surface		ISO 1302		tolerance std		projection		mm	
Dr	M PESSON	2005/10/24	ANGULAR	LINEAR	0.X	±0.1	A3	Scale		1.5	
Eng	P LEGARE	2005/10/24	0.XX	0.XXX	±0.1	ECN	LS06-0097	Product family		D-SUBI Spec ref -	
Chr	-	-	0.XX	±2	Apr	-	-	MALE CONNECTOR SP280		C01-8637-1663	
Appr	-	-	-	-	-	-	-	with solder bucket		CUSTOMER sheet 1 of 1	