

Excellent Integrated System Limited

Stocking Distributor

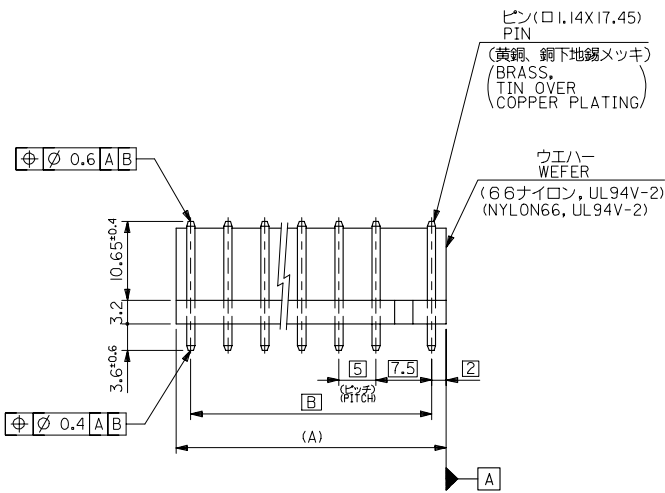
Click to view price, real time Inventory, Delivery & Lifecycle Information:

[Molex Connector Corporation](#)
[0010311058](#)

For any questions, you can email us directly:

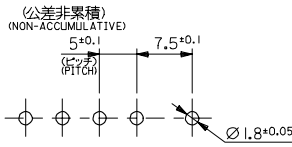
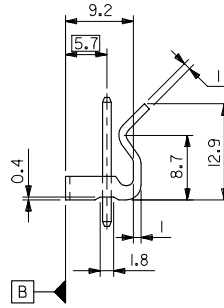
sales@integrated-circuit.com

10 9 8 7 6 5 4 3 2 1



注記
NOTE

1. ウエハーの反りは、長さ 25.4mm に対して最大 0.22mm
CAMBER MUST BE WITHIN 0.22mmMAX. PER 25.4mm.



基板取付穴推奨寸法
RECOMMENDED P.C.BOARD HOLE DIM. (t=1.6)

27.5	31.5	10-31-1068	5289-6A	6
22.5	26.5	10-31-1058	5289-5A	5
17.5	21.5	10-31-1048	5289-4A	4
12.5	16.5	10-31-1038	5289-3A	3
7.5	11.5	10-31-1028	5289-2A	2
B	(A)	EDP NO.	ENG. NO.	CTS.

REVISED EC NO.: J2008-0904 DRAWN: MABEI 2007/09/28 CHKD: HARUYAMA 2007/09/28 APP: NIKITA 2007/09/28	GENERAL TOLERANCES (UNLESS SPECIFIED)		DIMENSION STYLE MM ONLY	SCALE 2:1	DESIGN UNITS METRIC	THIRD ANGLE PROJECTION
	10 UNDER	±0.2	DRAWN BY S. MATSUZAKI	DATE '96/08/06	TITLE KK 5/7.5 WAFER ASSY WITH LOCK	
	10 OVER 30 UNDER	±0.25	CHECKED BY Y. MIZUNO	DATE '96/08/07	APPROVED BY M. FUKUSHIMA	DATE '96/08/07
	30 OVER	±0.3	ANGULAR	±3 °	MATERIAL NO.	SEE TABLE
DRAFT WHERE APPLICABLE MUST REMAIN WITHIN DIMENSIONS		SIZE A3		DOCUMENT NO. SD-5289-004		SHEET NO. 1 OF 1