

Excellent Integrated System Limited

Stocking Distributor

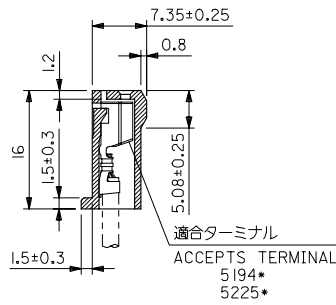
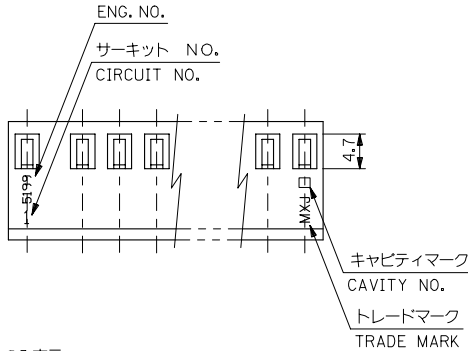
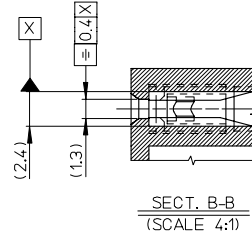
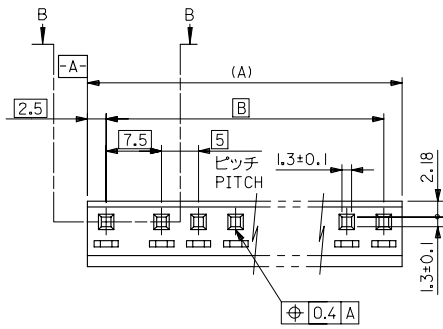
Click to view price, real time Inventory, Delivery & Lifecycle Information:

[Molex Connector Corporation](#)
[0010633034](#)

For any questions, you can email us directly:

sales@integrated-circuit.com

10 9 8 7 6 5 4 3 2 1



注) NOTE.

1. 各部のそりは0.5最大
WARPING:0.5MAX.
2. サークットNO. はNO. * 1* のみ表示
CIRCUIT NO. : *1* ONLY

| | | | | |
|------------|----------|------|------|---------|
| 10-63-3064 | 5199-06 | 27.5 | 32.5 | 6 |
| ▲ -3054 | ▲ -05 | 22.5 | 27.5 | 5 |
| ▲ -3044 | ▲ -04 | 17.5 | 22.5 | 4 |
| ▼ -3034 | ▼ -03 | 12.5 | 17.5 | 3 |
| 10-63-3024 | 5199-02 | 7.5 | 12.5 | 2 |
| EDP. NO. | ENG. NO. | B | (A) | 種数 CKT. |

| | | | | | | |
|---|--|---------------------------|---|--------------------|-----------------------------------|---------------------------|
| REVISED EC NO.: J2007-3407 DRAWN: KON CHIKUMI SOGAYA 2007/06/25 APPR: THARYAMA 2007/06/25 | GENERAL TOLERANCES (UNLESS SPECIFIED) | | DIMENSION STYLE MM ONLY | SCALE 2:1 | DESIGN UNITS METRIC | THIRD ANGLE PROJECTION |
| | 10 UNDER | ±0.2 | DRAWN BY K. KOHAMA | DATE 2000/03/28 | TITLE SPOX 5/7.5 PITCH REC HSG | |
| | 10 OVER 30 UNDER | ±0.25 | CHECKED BY T. YAMAGUCHI | DATE 2000/03/30 | MOLEX INCORPORATED | |
| | 30 OVER | ±0.3 | APPROVED BY M. FUKUSHIMA | DATE 2000/03/30 | DOCUMENT NO. SD-5199-001 | SHEET NO. 1 OF 1 |
| REV J | DESCRIPTION ANGULAR ±3° DRAFT WHERE APPLICABLE MUST REMAIN WITHIN DIMENSIONS | MATERIAL NO. SEE TABLE | SIZE A3 THIS DRAWING CONTAINS INFORMATION THAT IS PROPRIETARY TO MOLEX INCORPORATED AND SHOULD NOT BE USED WITHOUT WRITTEN PERMISSION | | | |