



Distributor of Molex Connector Corporation: Excellent Integrated System Limited
Datasheet of 0190080039 - Connector Quick Connect Receptacle 12-14 AWG 0.250"
(6.35mm) Crimp

Contact us: sales@integrated-circuit.com Website: www.integrated-circuit.com

Excellent Integrated System Limited

Stocking Distributor

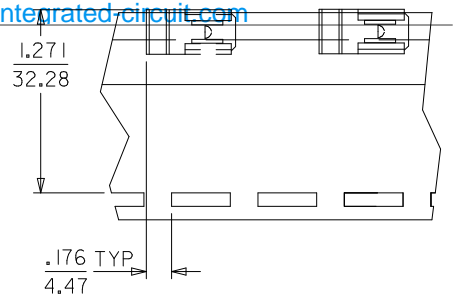
Click to view price, real time Inventory, Delivery & Lifecycle Information:

[Molex Connector Corporation](#)
[0190080039](#)

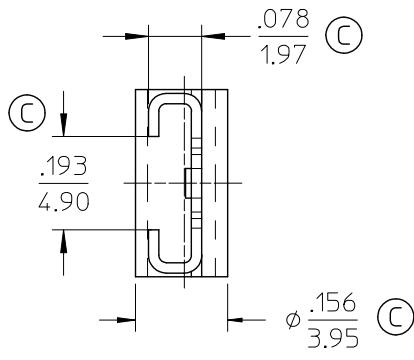
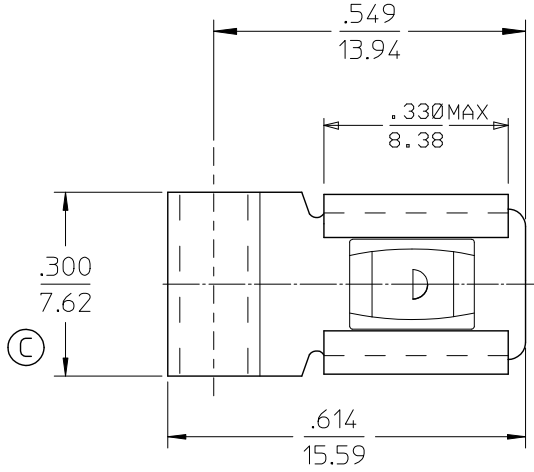
For any questions, you can email us directly:
sales@integrated-circuit.com

Contact us: Sales@integrated-circuit.com Website: www.integrated-circuit.com

MATERIAL NUMBER	ENGINEERING NUMBER	PLATING	CARRIER
I90080062	B-I75P	NON-PLATED	LOOSE PIECE
I90080038	B-I75	TIN PLATED	LOOSE PIECE
I90080039	B-I75T	TIN PLATED	TAPE



TAPE MOUNTING LOCATION



SALES DRAWING

- NOTES:
- MATERIAL: BRASS
 - PLATING SEE CHART.
 - RoHS COMPLIANT

UPDATE DIM PER ENG EC NO: IGG2016-1554 DRWN: GRO JASO1 2016/05/18 CHKD: JMACNEIL 2016/05/18 APPR: JMACNEIL 2016/05/31 DESCRIPTION REV C	QUALITY SYMBOLS ▽=0 ▽=0	GENERAL TOLERANCES (UNLESS SPECIFIED) <table border="1"> <thead> <tr> <th></th> <th>mm</th> <th>INCH</th> </tr> </thead> <tbody> <tr> <td>4 PLACES</td> <td>± .---</td> <td>± .---</td> </tr> <tr> <td>3 PLACES</td> <td>± .---</td> <td>± .010</td> </tr> <tr> <td>2 PLACES</td> <td>± 0.25</td> <td>± .010</td> </tr> <tr> <td>1 PLACE</td> <td>± 0.3</td> <td>± .---</td> </tr> <tr> <td colspan="3">ANGULAR ± .---</td> </tr> </tbody> </table>		mm	INCH	4 PLACES	± .---	± .---	3 PLACES	± .---	± .010	2 PLACES	± 0.25	± .010	1 PLACE	± 0.3	± .---	ANGULAR ± .---			DIMENSION STYLE IN/MM	SCALE ---	DESIGN UNITS INCH	THIRD ANGLE PROJECTION
		mm	INCH																					
	4 PLACES	± .---	± .---																					
	3 PLACES	± .---	± .010																					
	2 PLACES	± 0.25	± .010																					
1 PLACE	± 0.3	± .---																						
ANGULAR ± .---																								
DRAWN BY JLOMASTRO	DATE 10/07/06	TITLE FLAG UNINSULATED KRIMPTITE 12-14 AWG .250 X .032 TAB SIZE																						
CHECKED BY JMACNEIL	DATE 10/07/06	MOLEX INCORPORATED																						
APPROVED BY JMACNEIL	DATE 10/07/06	MATERIAL NO. SEE CHART	DOCUMENT NO. SD-19008-009	SHEET NO. 1 OF 1																				
DRAFT WHERE APPLICABLE MUST REMAIN WITHIN DIMENSIONS																								

THIS DRAWING CONTAINS INFORMATION THAT IS PROPRIETARY TO MOLEX INCORPORATED AND SHOULD NOT BE USED WITHOUT WRITTEN PERMISSION