

Excellent Integrated System Limited

Stocking Distributor

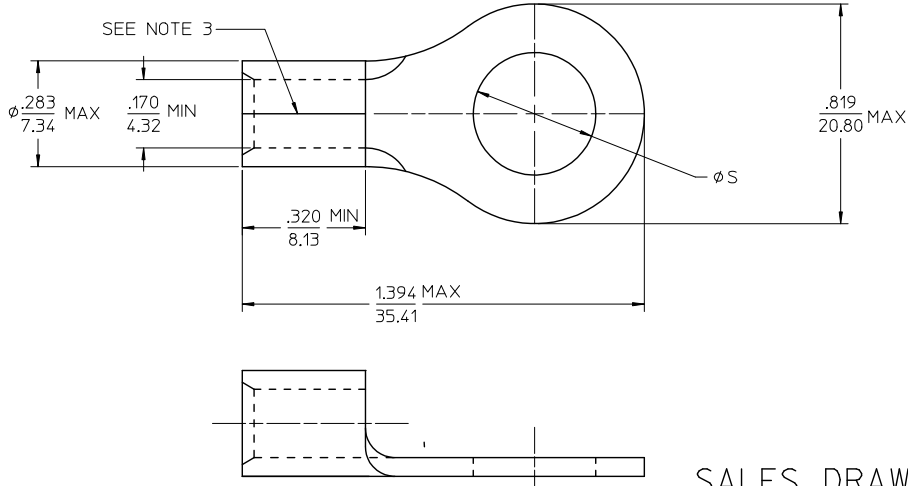
Click to view price, real time Inventory, Delivery & Lifecycle Information:

[Molex Connector Corporation](#)
[0191930178](#)

For any questions, you can email us directly:

sales@integrated-circuit.com

10	9	8	7	6	5	4	3	2	19193
MATERIAL NUMBER	ENGINEERING NUMBER	STUD SIZE	ϕS $\pm.005/\pm0.13$	PACKAGING					
191930178	D-352-10	10	.198/5.03	LOOSE PIECE					
191930182	D-352-14	1/4	.265/6.73						
191930185	D-352-56	5/16	.328/8.33						
191930184	D-352-38	3/8	.390/9.91						
191930187	D-352-76	7/16	.453/11.51						
191930179	D-352-12	1/2	.515/13.08	TAPE MOUNTED					
191930186	D-352-58	5/8	.656/16.66						
191930189	D-352-76T	7/16	.453/11.51						
191930181	D-352-12T	1/2	.515/13.08						



SALES DRAWING

- NOTES:
- MATERIAL: COPPER .050/1.27 THK (REF).
PLATING: ELECTROPLATE TIN
 - ALL DIMENSIONS IN INCHES/(MM).
 - BRAZED SEAM.
 - TERMINAL INDICATED MUST MEET MS/AS-20659 TYPE 2 REQUIREMENTS.
 - PART IS ROHS COMPLIANT.

TYP: ON 1/4 STUD EC. NO.: I6G2015-1900 DRAWN: JAS01 2015/05/15 CHKD: MACNEIL 2015/05/15 APPR: MACNEIL 2015/05/28 REV: A2	QUALITY SYMBOLS	GENERAL TOLERANCES (UNLESS SPECIFIED)	DIMENSION STYLE	SCALE	DESIGN UNITS	THIRD ANGLE PROJECTION																																					
	$\nabla=0$ $\nabla=0$	<table border="1"> <thead> <tr> <th></th> <th>mm</th> <th>INCH</th> </tr> </thead> <tbody> <tr> <td>4 PLACES</td> <td>±---</td> <td>±---</td> </tr> <tr> <td>3 PLACES</td> <td>±---</td> <td>±---</td> </tr> <tr> <td>2 PLACES</td> <td>±---</td> <td>±---</td> </tr> <tr> <td>1 PLACE</td> <td>±---</td> <td>±---</td> </tr> <tr> <td>ANGULAR</td> <td>±---</td> <td>°</td> </tr> </tbody> </table>		mm	INCH	4 PLACES	±---	±---	3 PLACES	±---	±---	2 PLACES	±---	±---	1 PLACE	±---	±---	ANGULAR	±---	°	IN/MM	INCH	INCH	<table border="1"> <tr> <td>DRAWN BY</td> <td>DATE</td> </tr> <tr> <td>BENDERLE</td> <td>2005/02/03</td> </tr> <tr> <td>CHECKED BY</td> <td>DATE</td> </tr> <tr> <td>R DEROSS</td> <td>2005/02/03</td> </tr> <tr> <td>APPROVED BY</td> <td>DATE</td> </tr> <tr> <td>R DEROSS</td> <td>2005/02/03</td> </tr> </table>	DRAWN BY	DATE	BENDERLE	2005/02/03	CHECKED BY	DATE	R DEROSS	2005/02/03	APPROVED BY	DATE	R DEROSS	2005/02/03	<table border="1"> <tr> <td>TITLE</td> <td>RING TONGUE TERMINAL 8 AWG, VERSAKRIMP D-352 TONGUE</td> </tr> <tr> <td>MATERIAL NO.</td> <td>SEE CHART</td> </tr> <tr> <td>DOCUMENT NO.</td> <td>SD-19193-036</td> </tr> </table>	TITLE	RING TONGUE TERMINAL 8 AWG, VERSAKRIMP D-352 TONGUE	MATERIAL NO.	SEE CHART	DOCUMENT NO.	SD-19193-036
		mm	INCH																																								
	4 PLACES	±---	±---																																								
3 PLACES	±---	±---																																									
2 PLACES	±---	±---																																									
1 PLACE	±---	±---																																									
ANGULAR	±---	°																																									
DRAWN BY	DATE																																										
BENDERLE	2005/02/03																																										
CHECKED BY	DATE																																										
R DEROSS	2005/02/03																																										
APPROVED BY	DATE																																										
R DEROSS	2005/02/03																																										
TITLE	RING TONGUE TERMINAL 8 AWG, VERSAKRIMP D-352 TONGUE																																										
MATERIAL NO.	SEE CHART																																										
DOCUMENT NO.	SD-19193-036																																										
	DRAFT WHERE APPLICABLE MUST REMAIN WITHIN DIMENSIONS	<table border="1"> <tr> <td>SIZE</td> <td>B</td> </tr> </table>	SIZE	B	<table border="1"> <tr> <td>SHEET NO.</td> <td>1 OF 1</td> </tr> </table>	SHEET NO.	1 OF 1																																				
SIZE	B																																										
SHEET NO.	1 OF 1																																										
		THIS DRAWING CONTAINS INFORMATION THAT IS PROPRIETARY TO MOLEX INCORPORATED AND SHOULD NOT BE USED WITHOUT WRITTEN PERMISSION																																									