

Excellent Integrated System Limited

Stocking Distributor

Click to view price, real time Inventory, Delivery & Lifecycle Information:

[Wurth Electronics Inc](#)
[7499210123](#)

For any questions, you can email us directly:

sales@integrated-circuit.com

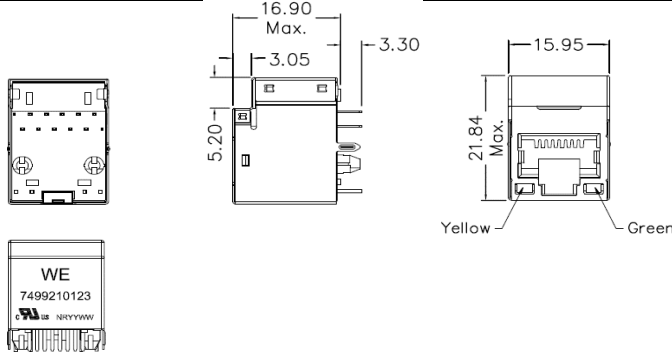
Spezifikation für Freigabe / specification for release

Kunde / customer :
 Artikelnummer / part number : **7499210123**
 Bezeichnung : **LAN-Übertrager WE-RJ45LAN 10/100Base-T PoE**
 description : **LAN-Transformer WE-RJ45LAN 10/100Base-T PoE**



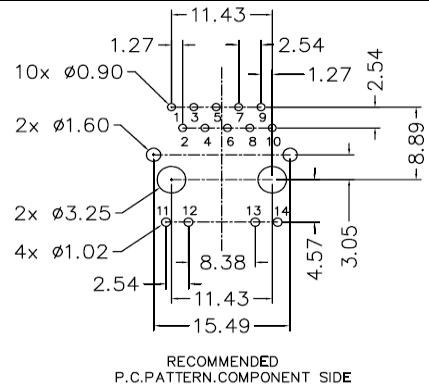
DATUM / DATE : 2016-02-25

A Mechanische Abmessungen / dimensions :



unless otherwise specified, tolerance: 0.25 mm

B Lötpad / soldering spec. :



C Elektrische Eigenschaften / electrical properties :

Eigenschaften / properties	Testbedingungen / test conditions		Wert / value	Einheit / unit	tol.
Induktivität / Inductance	100kHz / 100mV @ 8mA DC-Bias	OCL	350	µH	min.
Übersetzungsverhältnis / Turns ratio	100kHz / 100mV	TR	1 : 1	Tx	2%
			1 : 1	Rx	
Insertion Loss	1-100MHz	IL	-1.0	dB	max.
Return Loss	1-30 MHz	RL	-18	dB	min.
	30-45 MHz		-16		
	45-60 MHz		-14		
	60-80 MHz		-12		
Common Mode Rejection	1-100MHz	CMR	-35	dB	min.
Crosstalk	1-100MHz	CT	-35	dB	min.

D Prüfgeräte / test equipment :

Agilent 4395A Network Analyzer

E Testbedingungen / test conditions :

Luftfeuchtigkeit / humidity: 33%
 Umgebungstemperatur / temperature: +25°C

F Werkstoffe & Zulassungen / material & approvals :

Basismaterial / base material: Ferrit/ ferrite
 Draht / wire: QPN 180
 Kontaktmaterial/ contact plating: 100% tin w. nickel underplating 30µ" gold plating on contact area
 Gehäuse / housing: Thermoplastic UL 94V-0
 LED: 1.8-2.5V / 20mA
 Shield: 50µ" nickel over 0.008" cooper alloy

G Eigenschaften / general specifications :

Betriebstemp. / operating temperature: -40°C - + 85°C
 Geeignet für 10/100Base-T-Anwendungen gemäß IEEE 802.3af / Compliant with IEEE 802.3af for 10/100Base-T
 Stromtragfähigkeit / Current capability: 350mA
 Auto MDIX fähig / Auto MDIX capable
 UL File: E330599

Freigabe erteilt / general release:	Kunde / customer		
Datum / date	Unterschrift / signature		
	Würth Elektronik		
Geprüft / checked	Kontrolliert / approved		
	MMai	Revision 00	2016-02-25
	Name	Änderung / modification	Datum / date

Würth Elektronik eiSos GmbH & Co.KG

Spezifikation für Freigabe / specification for release

Kunde / customer :

Artikelnummer / part number :

7499210123

Bezeichnung :

LAN-Übertrager WE-RJ45LAN 10/100Base-T PoE

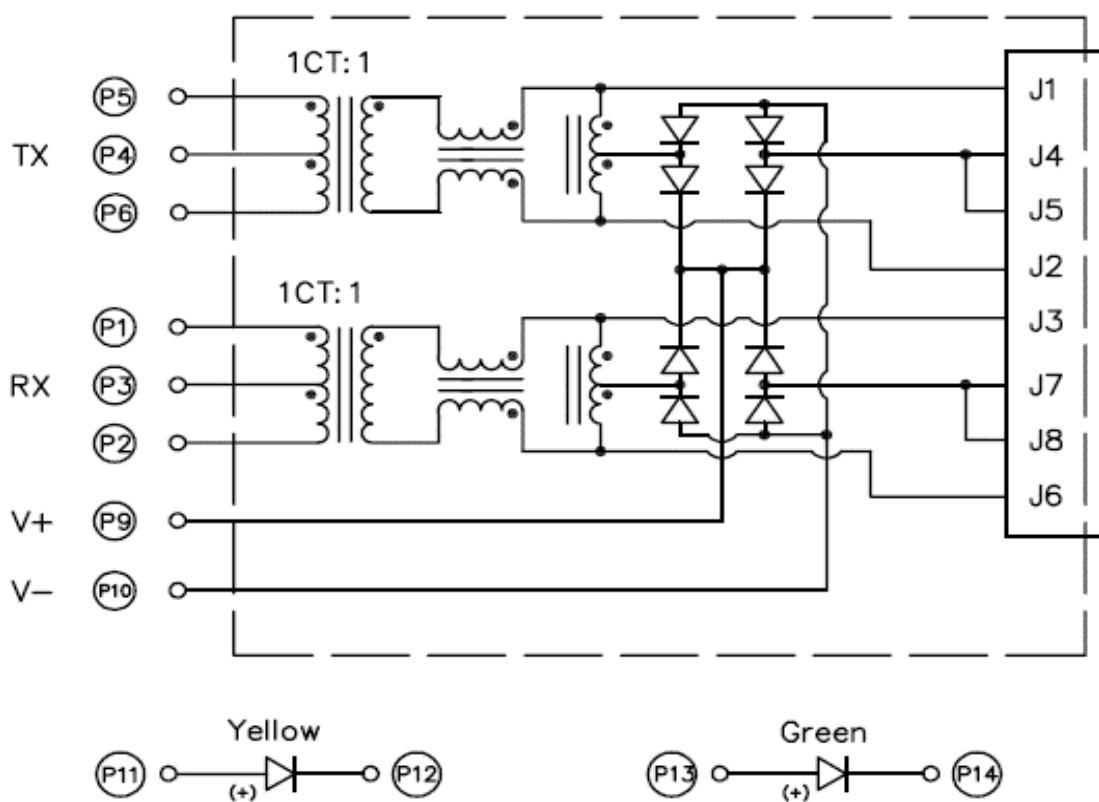
description :

LAN-Transformer WE-RJ45LAN 10/100Base-T PoE



DATUM / DATE : 2016-02-25

H Schaltbild / Schematics :



Freigabe erteilt / general release:	Kunde / customer			
Datum / date	Unterschrift / signature			
	Würth Elektronik			
		MMai	Revision 00	2016-02-25
Geprüft / checked	Kontrolliert / approved	Name	Änderung / modification	Datum / date

Würth Elektronik eiSos GmbH & Co.KG

Spezifikation für Freigabe / specification for release

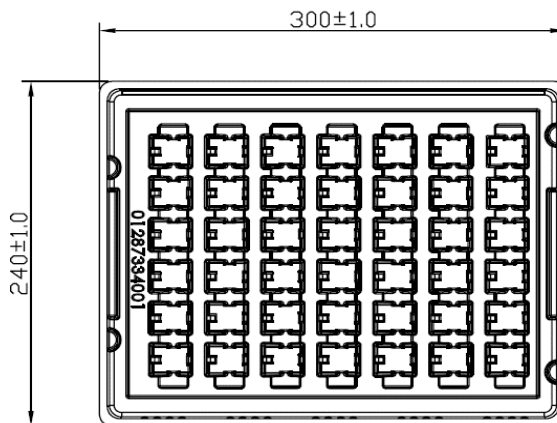
Kunde / customer :
 Artikelnummer / part number : **7499210123**
 Bezeichnung : **LAN-Übertrager WE-RJ45LAN 10/100Base-T PoE**
 description : **LAN-Transformer WE-RJ45LAN 10/100Base-T PoE**



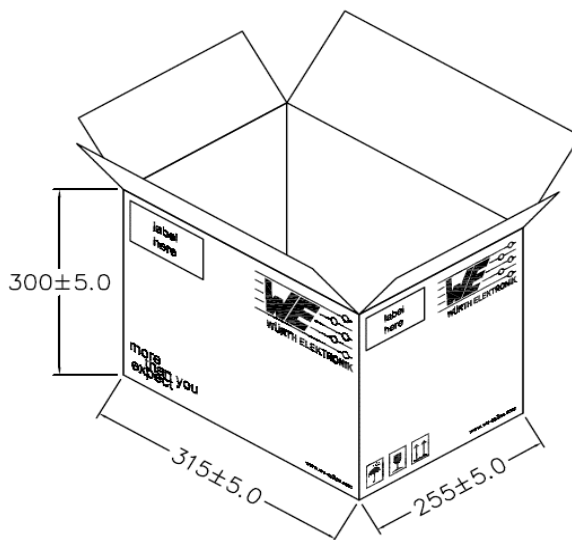
DATUM / DATE : 2016-02-25

I Verpackungsspezifikation / package specification :

Tray:



Carton:



Packing Quantity:

tray = 42 pcs
 carton = 504 pcs

dimensions in mm

Freigabe erteilt / general release:	Kunde / customer		
.....		
Datum / date	Unterschrift / signature		
.....	Würth Elektronik		
.....	MMai	Revision 00
Geprüft / checked	Kontrolliert / approved	Name	Änderung / modification
.....		Datum / date
			2016-02-25

This electronic component has been designed and developed for usage in general electronic equipment. Before incorporating this component into any equipment where higher safety and reliability is especially required or if there is the possibility of direct damage or injury to human body, for example in the range of aerospace, aviation, nuclear control, submarine, transportation, (automotive control, train control, ship control), transportation signal, disaster prevention, medical, public information network etc, Würth Elektronik eiSos GmbH must be informed before the design-in stage. In addition, sufficient reliability evaluation checks for safety must be performed on every electronic component which is used in electrical circuits that require high safety and reliability functions or performance.

Würth Elektronik eiSos GmbH & Co.KG

D-74638 Waldenburg · Max-Eyth-Straße 1 - 3 · Germany · Telefon (+49) (0) 7942 - 945 - 0 · Telefax (+49) (0) 7942 - 945 - 400
 http://www.we-online.com