

Excellent Integrated System Limited

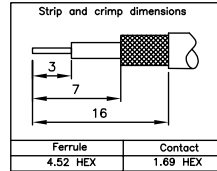
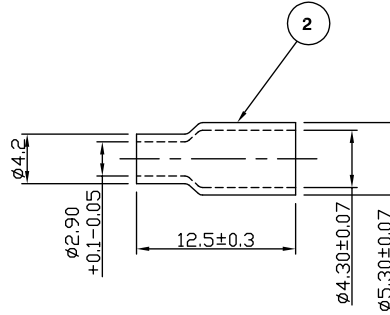
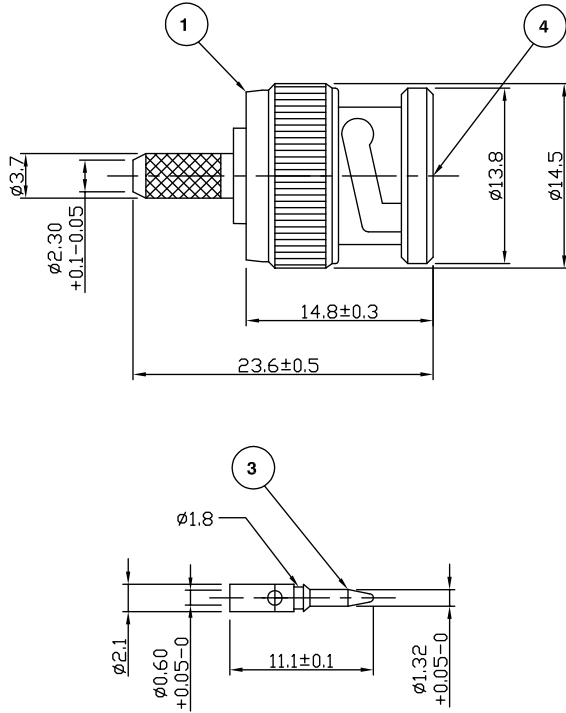
Stocking Distributor

Click to view price, real time Inventory, Delivery & Lifecycle Information:

[Bel Fuse Inc.](#)
[VB10-2071](#)

For any questions, you can email us directly:
sales@integrated-circuit.com

RoHS COMPLIANT



Electrical Characteristics

Nominal Impedance:	50 ohms
Frequency Range:	DC to 4 GHz
VSWR:	1.3:1 maximum
Insertion Loss:	0.2 dB at 3 GHz
Operating Voltage (rms):	500 V maximum at sea level
Dielectric Withstand Voltage (rms):	1500 V maximum at sea level
Contact Resistance:	1.5 milliohms maximum
Insulation Resistance:	5000 megohms minimum

Mechanical Characteristics

Mating Cycles:	500 cycles minimum
Interface Dimensions:	Conform to MIL-C-39012

Environmental Characteristics

Temperature Range:	-65 °C to +165 °C
--------------------	-------------------

PART	DESCRIPTION
1	Body Brass, nickel plated 2.54 μ m
2	Ferrule Brass, nickel plated 2.54 μ m
3	Pin Brass, gold plated 0.076 μ m - 0.127 μ m
4	Insulator PTFE

DESCRIPTION OF REVISION	APPVD	ISS	DATE
Drawing update	JT	4	14 April 10
CAD issue	SN	3	22 June 01
Tapered ferrule	AT	2	10 June 94
First Issue	IFS	1	11 June 92

For stripping and assembly instructions see Drawing Number: VAIB1101



Cinch Connectivity Solutions
7-13 Russel Way,
Widford Industrial Estate,
Chelmsford, Essex,
CM1 3AA, UK.
Tel: +44 (0) 1245 359515
Fax: +44 (0) 1245 358938

SCALE: Not To Scale
DIMENSIONS: mm
TOLERANCES:
 ± 0.2 mm unless
otherwise stated

DRAWN BY:	S Nash	TITLE:	BNC Crimp Plug for RG174, RG188, RG316, URM95, KX3 and KX22
CHECKED BY:	P Couzens		
APPROVED BY:	R Drennan		
DATE:	22 June 01		

PART NUMBER:
VB10-2071
PAGE: 1 of 1