

Excellent Integrated System Limited

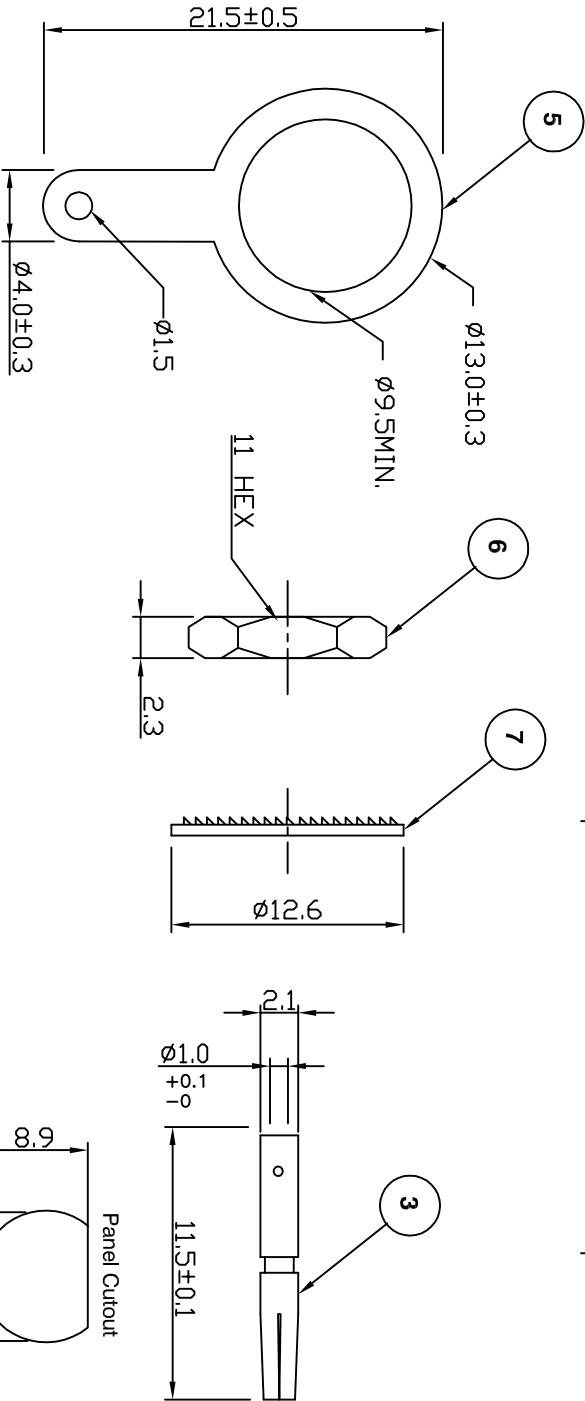
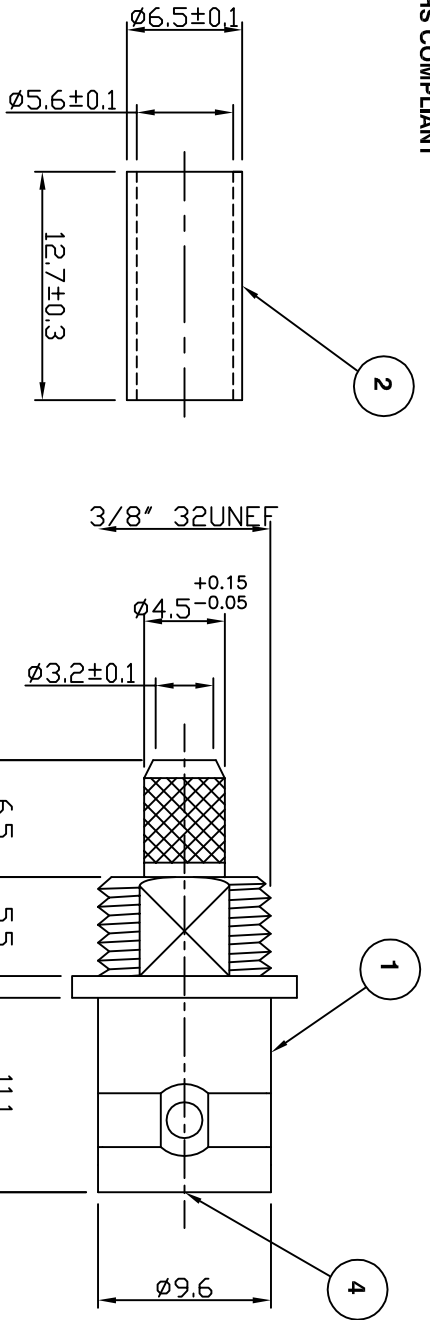
Stocking Distributor

Click to view price, real time Inventory, Delivery & Lifecycle Information:

[Bel Fuse Inc.](#)
[VB60-2051](#)

For any questions, you can email us directly:
sales@integrated-circuit.com

ROHS COMPLIANT



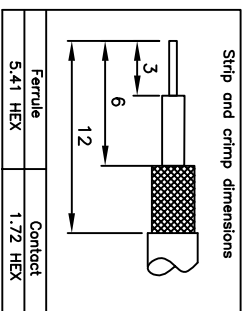
For stripping and assembly instructions see Drawing Number: VAIB6101

Electrical Characteristics	
Nominal Impedance:	50 ohms
Frequency Range:	DC to 4 GHz
VSWR:	1.3:1 maximum
Insertion Loss:	0.2 dB at 3 GHz
Operating Voltage (rms):	500 V maximum at sea level
Dielectric Withstand Voltage (rms):	1500 V maximum at sea level
Contact Resistance:	1.5 milliohms maximum
Insulation Resistance:	5000 megohms minimum

Mechanical Characteristics	
Mating Cycles:	500 cycles minimum
Interface Dimensions:	Conform to MIL-C-3901

Environmental Characteristics	
Temperature Range:	-65 °C to +165 °C

PART	DESCRIPTION
1	Body
2	Ferrule
3	Contact
4	Dielectric
5	Solder Tag
6	Nut
7	Washer



Update on Solder Tag	JT	5	26.4
Update Dims	MS	4	7.48
Altered address	KA	3	15.4
CAD Issue	SN	2	02.1
First Issue	CBB	1	16.0
DESCRIPTION OF REVISION	APPVD	ISS	D

TITLE:
BNC Crimp Panel Mount Jack
 (front entry) for RG58

PART NUMBER:
VB60-2051

SCALE: Not To Scale	DRAWN BY:	S Nash
DIMENSIONS: mm	CHECKED BY:	S Nash
TOLERANCES: ± 0.2mm unless otherwise stated	APPROVED BY:	P D Couzens
	DATE:	03 May 02

Connectivity Solutions
 7-13 Russel Way,
 Wiford Industrial Estate,
 Chelmsford, Essex,
 CM1 3AA, UK.
 Tel: +44 (0) 1245 359515
 Fax: +44 (0) 1245 358938

EMERSON
 Network Power