

## Excellent Integrated System Limited

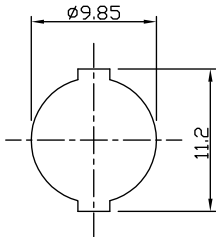
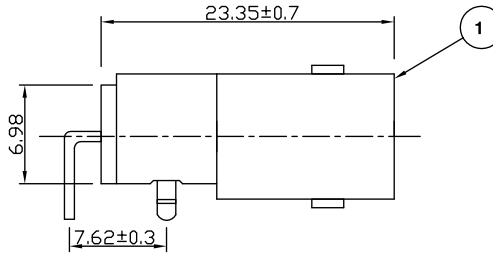
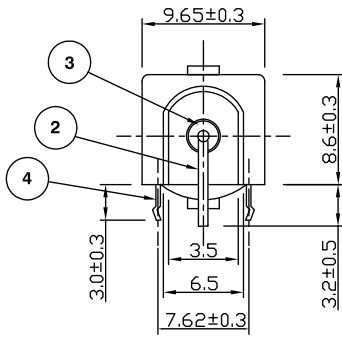
Stocking Distributor

Click to view price, real time Inventory, Delivery & Lifecycle Information:

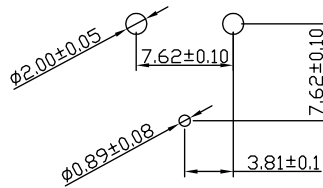
[Bel Fuse Inc.](#)  
[VBM221](#)

For any questions, you can email us directly:  
[sales@integrated-circuit.com](mailto:sales@integrated-circuit.com)

RoHS COMPLIANT



PANEL CUTOUT



PCB HOLE LAYOUT

**Electrical Characteristics**

Nominal Impedance:	50 ohms
Frequency Range:	DC to 4 GHz
Insertion Loss:	0.2 dB at 3 GHz
Operating Voltage (rms):	500 V maximum at sea level
Dielectric Withstand Voltage (rms):	1500 V maximum at sea level
Contact Resistance:	3.0 milliohms maximum
Insulation Resistance:	5000 megohms minimum

**Mechanical Characteristics**

Mating Cycles:	500 cycles minimum
Interface Dimensions:	Conform to MIL-C-39012

**Environmental Characteristics**

Temperature Range:	-55 °C to +85 °C
--------------------	------------------

PART	DESCRIPTION
1	Connector Body Nickel Plating Over Zinc Alloy
2	Center Contact Phosphorus Bronze With Gold Plating At Contact Area, Tin Plating At Tail & Nickel Plating All Over
3	Insulator Polupropylene (UL-94HB)
4	Mounting Post Tin Plating Over Brass >5 Microns

DESCRIPTION OF REVISION	APPVD	ISS	DATE
Drawing update	JT	3	10 May 10
Checked And Updated	KA	2	14 Mar 08
CAD Issue	PDC	1	03 Jul 02
Adjusted	DH	B	29 July 97
First Issue	DH	A	25 July 97

SCALE: Not To Scale	DRAWN BY: P D Couzens	TITLE: Shielded BNC Right Angle PCB Mount Jack Low Profile
DIMENSIONS: mm	CHECKED BY: S Nash	
TOLERANCES: ± 0.2mm unless otherwise stated	APPROVED BY: P D Couzens	
	DATE: 03 Jul 02	

PART NUMBER: <b>VBM221</b>
PAGE: 1 of 1