

Excellent Integrated System Limited

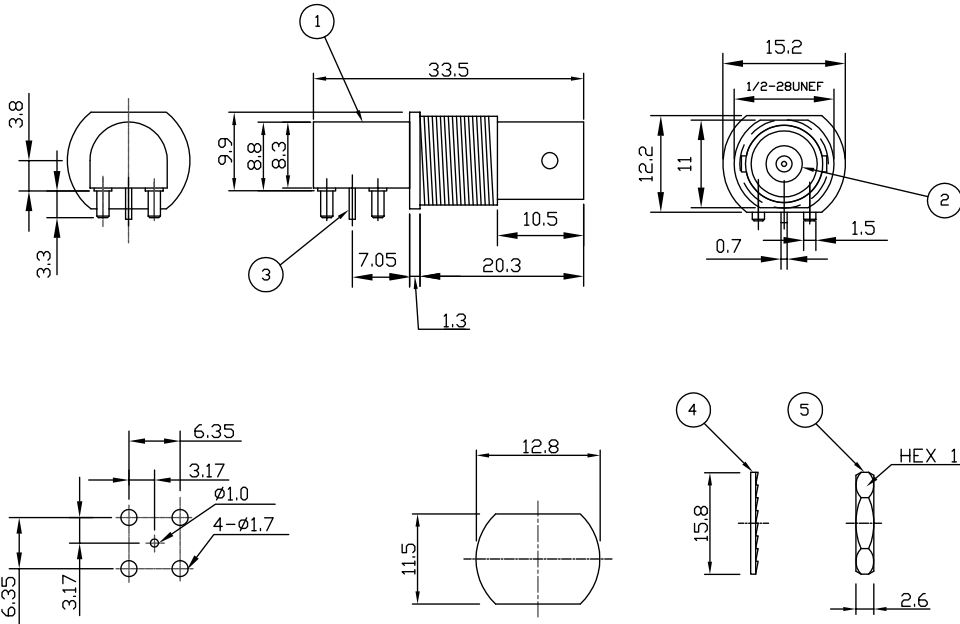
Stocking Distributor

Click to view price, real time Inventory, Delivery & Lifecycle Information:

[Bel Fuse Inc.](#)
[VBM511-75](#)

For any questions, you can email us directly:
sales@integrated-circuit.com

RoHS COMPLIANT



RECOMMENDED PCB LAYOUT

RECOMMENDED PANEL CUTOUT

Electrical Characteristics

Nominal Impedance:	75 ohms
Frequency Range:	DC to 1 GHz
VSWR:	1.3:1 maximum
Insertion Loss:	0.2 dB at 1 GHz
Operating Voltage (rms):	500 V maximum at sea level
Dielectric Withstand Voltage (rms):	1000 V maximum at sea level
Contact Resistance:	3.0 milliohms maximum
Insulation Resistance:	5000 megohms minimum
Current Rating:	3 Amps maximum

Mechanical Characteristics

Mating Cycles:	100 cycles minimum
Interface Dimensions:	Conform to MIL-C-39012

Environmental Characteristics

Temperature Range:	-55 °C to +85 °C
--------------------	------------------

REF.	DESCRIPTION	MATERIAL	PLATING
1	Shell	Zink Alloy	Nickel
2	Insulator	PP	
3	Socket Contact	Phosphor Bronze	Gold
4	Lock Washer	Iron	Nickel
5	Hex Nut	Brass	Nickel

REF.	DESCRIPTION	MATERIAL	ISS	DATE
ECN 2015-003		JC	11	27 May 15
Complete Update		JT	10	03 Mar 10
Panel Cutout Updated		BT	9	7 Aug 08
Complete Update		KA	8	13 Mar 08
Frequency range corrected		JW	7	10 Apr 06
Dimensions corrected		SN	6	08 Dec 03
CAD Issue		RCS	5	10 Jun 02
Dimension added (Flange to Pin)		PDC	4	19 Apr 01
Dimensions Changed		PDC	3	28 Jan 00
Dimensions Changed		DJH	2	07 Dec 99
First Issue		AT	1	11 Apr 99
DESCRIPTION OF REVISION		APPVD	ISS	DATE



11 Bilton Road,
 Chelmsford, Essex,
 CM1 2UP, UK.
 Tel: +44 (0) 1245 359515
 Fax: +44 (0) 1245 358938

SCALE: Not To Scale	DRAWN BY: S Nash	TITLE: Shielded BNC PCB Mount R/A Jack (75 Ohm)
DIMENSIONS: mm	CHECKED BY: J Cracknell	
TOLERANCES: ± 0.2mm unless otherwise stated	APPROVED BY: M Spooner	
	DATE: 07 Jun 04	

PART NUMBER: VBM511-75
PAGE: 1 of 1