

## Excellent Integrated System Limited

Stocking Distributor

Click to view price, real time Inventory, Delivery & Lifecycle Information:

[Bel Fuse Inc.](#)  
[TOF56](#)

For any questions, you can email us directly:

[sales@integrated-circuit.com](mailto:sales@integrated-circuit.com)

RoHS COMPLIANT

**Electrical Characteristics**

Nominal Impedance:	Non Constant
Frequency Range:	DC to 2 GHz
VSWR:	1.35:1 maximum
Insertion Loss:	0.2 dB at 2 GHz
Operating Voltage (rms):	250 V maximum at sea level
Dielectric Withstand Voltage (rms):	1500 V maximum at sea level
Contact Resistance:	3.0 milliohms maximum
Insulation Resistance:	5000 megohms minimum

**Mechanical Characteristics**

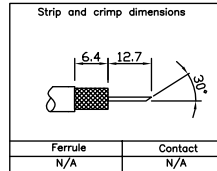
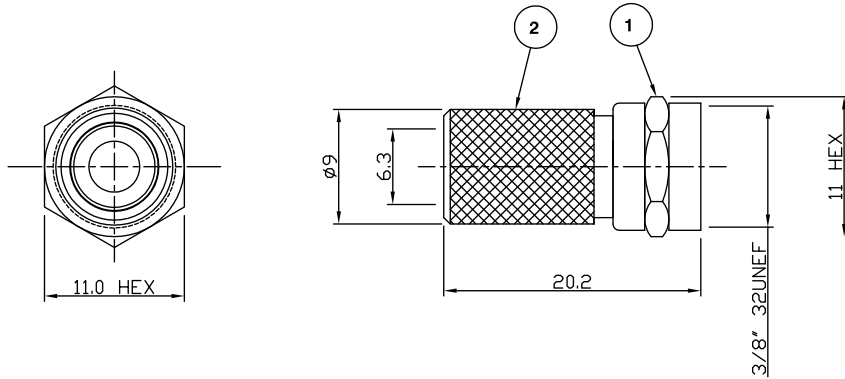
Mating Cycles:	50 cycles (subject to cable)
Interface Dimensions:	Conform to MIL-C-39012

**Environmental Characteristics**

Temperature Range:	-65 °C to +165 °C
--------------------	-------------------

PART	DESCRIPTION
1	Coupling Nut Zinc, nickel plated 2.54µm
2	Body Brass, nickel plated 2.54µm

Measurement update	KA	3	21 Aug 07
CAD Issue	SN	2	14 Nov 01
First Issue	AT	1	03 Dec 98
DESCRIPTION OF REVISION	APPVD	ISS	DATE



For stripping and assembly instructions see Drawing Number: VAIF1301



**Cinch Connectivity Solutions**  
 7-13 Russel Way,  
 Wilford Industrial Estate,  
 Chelmsford, Essex,  
 CM1 3AA, UK.  
 Tel: +44 (0) 1245 359515  
 Fax: +44 (0) 1245 358938

SCALE: Not To Scale	DRAWN BY: S Nash	TITLE: <b>Twist-on F Plug For RG6/CT100 Cable Types</b>
DIMENSIONS: mm	CHECKED BY: M Nielsen	
TOLERANCES: ± 0.2mm unless otherwise stated	APPROVED BY: P Couzens	
	DATE: 14 Nov 01	

PART NUMBER: <b>TOF56</b>
PAGE: 1 of 1