

## Excellent Integrated System Limited

Stocking Distributor

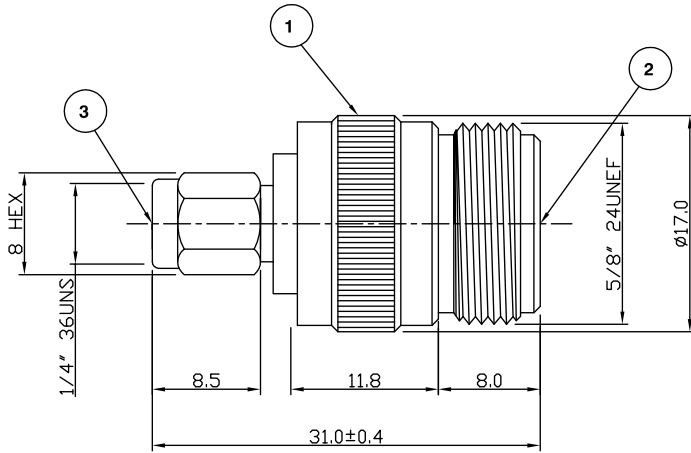
Click to view price, real time Inventory, Delivery & Lifecycle Information:

[Bel Fuse Inc.](#)  
[VA502](#)

For any questions, you can email us directly:

[sales@integrated-circuit.com](mailto:sales@integrated-circuit.com)

RoHS COMPLIANT



**Electrical Characteristics**

Nominal Impedance: 50 ohms  
 Frequency Range: DC to 11 GHz  
 Operating Voltage (rms): 335 V maximum at sea level  
 Dielectric Withstand Voltage (rms): 750 V maximum at sea level  
 Contact Resistance: 1.0 milliohms maximum  
 Insulation Resistance: 5000 megohms minimum

**Mechanical Characteristics**

Mating Cycles: 500 cycles minimum  
 Interface Dimensions: Conform to MIL-C-39012

**Environmental Characteristics**

Temperature Range: -65 °C to +165 °C

| PART | DESCRIPTION                   |
|------|-------------------------------|
| 1    | Body<br>Brass, nickel plated  |
| 2    | Dielectric<br>PTFE            |
| 3    | Contact<br>Brass, gold plated |

|                                |       |     |           |
|--------------------------------|-------|-----|-----------|
| Drawing, Address & RoHS Update | JT    | 3   | 25 Mar 10 |
| CAD Issue                      | SN    | 2   | 03 Oct 02 |
| First Issue                    | DJH   | 1   | 16 Jul 98 |
| DESCRIPTION OF REVISION        | APPVD | ISS | DATE      |



**Cinch Connectivity Solutions**  
 7-13 Russel Way,  
 Widford Industrial Estate,  
 Chelmsford, Essex,  
 CM1 3AA, UK.  
 Tel: +44 (0) 1245 359515  
 Fax: +44 (0) 1245 358938

SCALE: Not To Scale

DIMENSIONS: mm

TOLERANCES:  
 ± 0.2mm unless  
 otherwise stated

DRAWN BY:

S Nash

CHECKED BY:

P Couzens

APPROVED BY:

P Couzens

DATE:

03 Oct 02

TITLE:

SMA Plug to N Jack

PART NUMBER:

VA502

PAGE: 1 of 1