

Excellent Integrated System Limited

Stocking Distributor

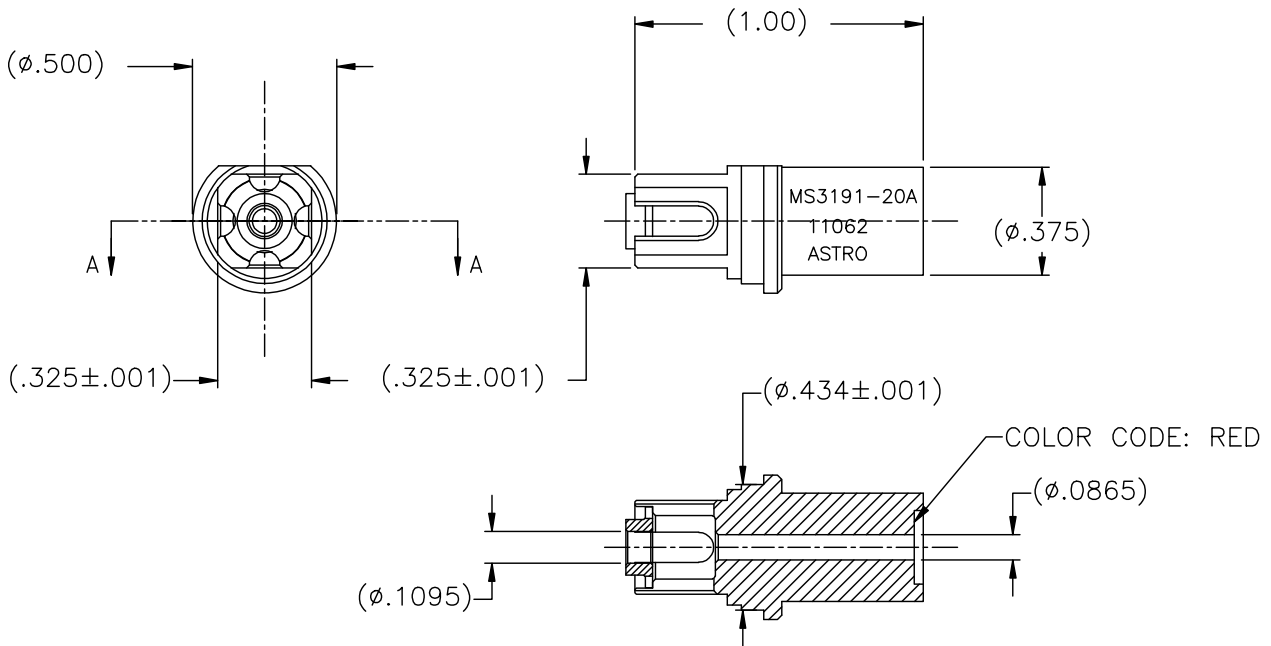
Click to view price, real time Inventory, Delivery & Lifecycle Information:

[Astro Tool Corp.](#)
[11062](#)

For any questions, you can email us directly:

sales@integrated-circuit.com

FILE # 11062-ENV



**UNCONTROLLED DOCUMENT
WILL NOT BE UPDATED**

NOTES: 1. THIS IS AN AUTOCAD DRAWING, DO NOT CHANGE MANUALLY.

THESE DRAWINGS, SPECIFICATIONS OR OTHER DATA ARE AND REMAIN, THE PROPERTY OF ASTRO TOOL CORP. AND MUST BE RETURNED UPON REQUEST. THEY CONTAIN INFORMATION OWNED AND/OR DEVELOPED BY ASTRO AT ITS OWN PRIVATE EXPENSE AND MAY NOT BE USED, DUPLICATED OR DISCLOSED TO OTHERS, IN WHOLE OR IN PART FOR DESIGN, MANUFACTURE OR PROCUREMENT WITHOUT THE WRITTEN PERMISSION OF ASTRO TOOL CORP. EACH AND EVERY TIME.

SCALE:
N.T.S.
DWN BY:
DYO
DATE:
03-12-14
APPROVED:

UNLESS OTHERWISE SPECIFIED:
DECIMALS:
.XXX ± .005
.XX ± .010
.X ± .030
ANGLES:
± 1°



ASTRO TOOL CORP.

21615 S.W. TUALATIN VALLEY HWY., BEAVERTON OR 97006

CAGE 58164

DESCRIPTION:

ENVELOPE DRAWING: 11062
POSITIONER, MS3191-20A

PART NO.

A 11062-ENV

A	NEW RELEASE	DYO	03-12-14	MMK
REV.	DESCRIPTION	BY	DATE	APR.