

Excellent Integrated System Limited

Stocking Distributor

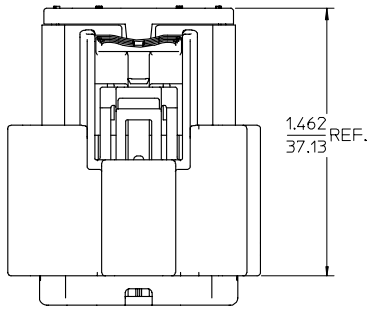
Click to view price, real time Inventory, Delivery & Lifecycle Information:

[Molex Connector Corporation](#)
[0194180060](#)

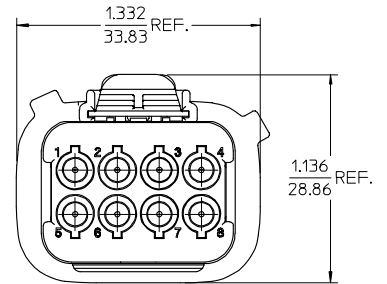
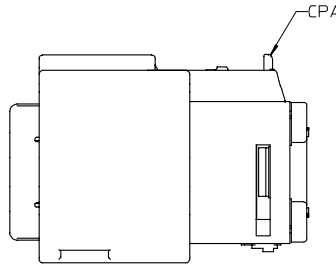
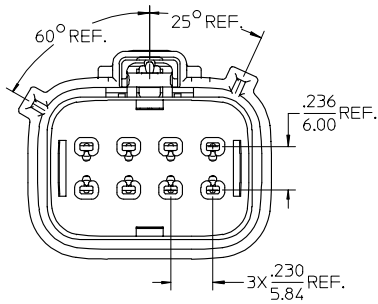
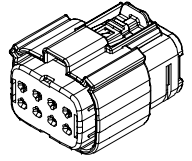
For any questions, you can email us directly:

sales@integrated-circuit.com

10 9 8 7 6 5 4 3 2 1



19418-0059	16-14	NO
19418-0060	22-18	
19418-0056	16-14	
19418-0057	22-18	YES
MATERIAL NUMBER	UL WIRE AWG	CPA



NOTES:

1. MATERIALS:
HOUSING: POLYESTER (PBT), GLASS FILLED, UL94 V-0, COLOR: GRAY.
SEALS: SILICONE RUBBER.
2. PRODUCT SPECIFICATION: PS-19417-001.
3. PACKAGING SPECIFICATION: PK-19418-001.
4. MATES WITH: 19419 SERIES PLUG ASSEMBLIES.
5. USE CONNECTOR WITH FEMALE CRIMP TERMINAL SERIES 19420.

RELEASED EC NO: A	2005/09/04 DRAWN: JPWLCK	QUALITY SYMBOLS ▽=0 ▽=0	GENERAL TOLERANCES (UNLESS SPECIFIED)		DIMENSION STYLE IN/MM	SCALE 2:1	DESIGN UNITS INCH	THIRD ANGLE PROJECTION
	2005/09/12 CHKD: JPWLCK		mm	INCH	DRAWN BY JPWLCK I	DATE 09/01/05	TITLE 8 WAY RECEPTACLE ASSEMBLY, KEY B POLARIZATION	
	2005/09/12 APPR: JPWLCK		4 PLACES ± --- ± ---	3 PLACES ± --- ± .015	CHECKED BY JPWLCK I	DATE 09/02/05		
	DESCRIPTION		2 PLACES ± 0.38 ± ---	1 PLACE ± --- ± ---	APPROVED BY RDEROSS	DATE 09/06/05		
REV	ANGULAR ± 1 °		MATERIAL NO. SEE CHART		DOCUMENT NO. SD-19418-011	SHEET NO. 1 OF 1		
DRAFT WHERE APPLICABLE MUST REMAIN WITHIN DIMENSIONS			SIZE B		THIS DRAWING CONTAINS INFORMATION THAT IS PROPRIETARY TO MOLEX INCORPORATED AND SHOULD NOT BE USED WITHOUT WRITTEN PERMISSION			

9 8 7 6 5 4 3 2 1