



**Distributor of Molex Connector Corporation: Excellent Integrated System Limited**

Datasheet of 0386390115 - Connector Barrier Block Strip 15 Circuit 0.438" (11.12mm)

Contact us: [sales@integrated-circuit.com](mailto:sales@integrated-circuit.com) Website: [www.integrated-circuit.com](http://www.integrated-circuit.com)

---

## **Excellent Integrated System Limited**

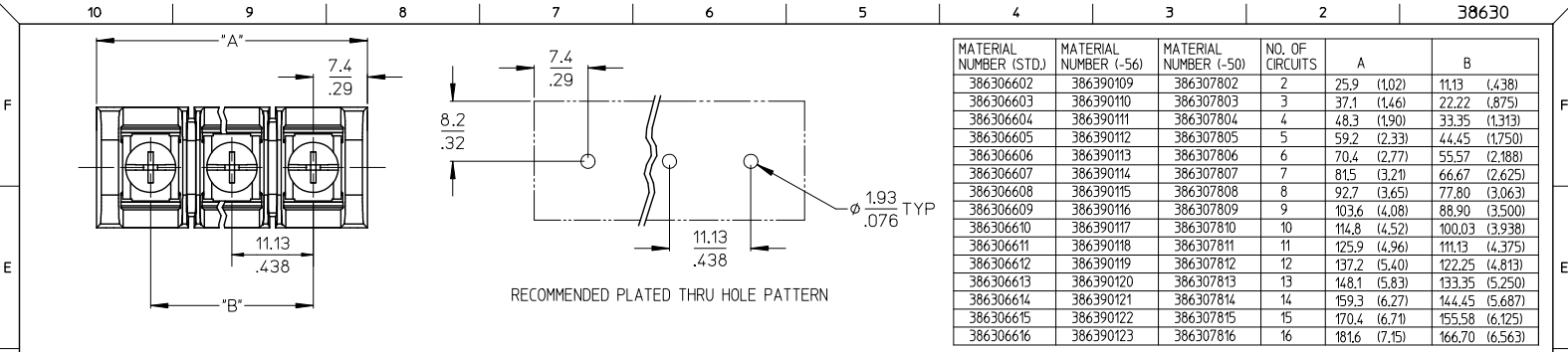
Stocking Distributor

Click to view price, real time Inventory, Delivery & Lifecycle Information:

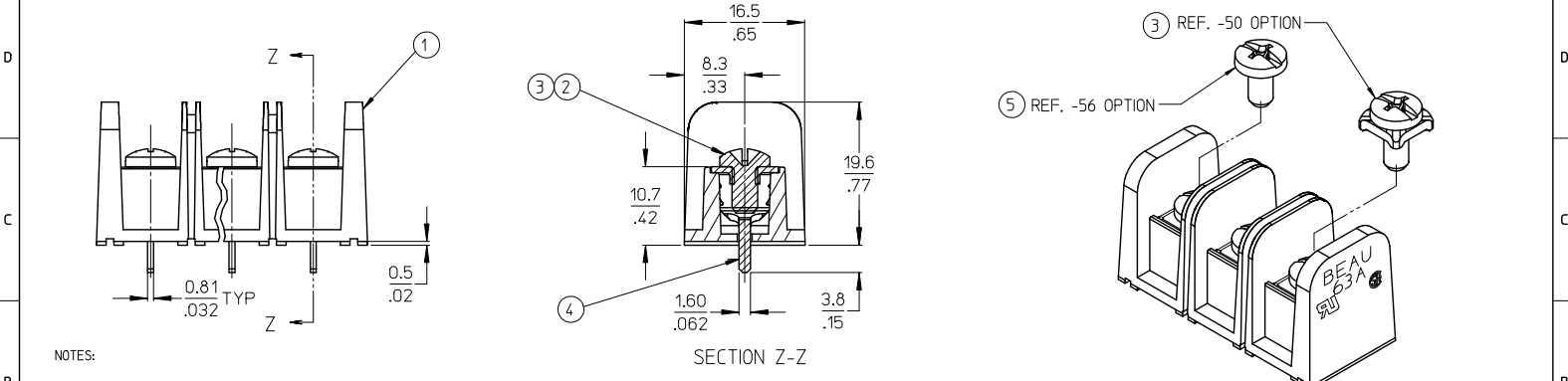
[Molex Connector Corporation](#)  
[0386390115](#)

For any questions, you can email us directly:

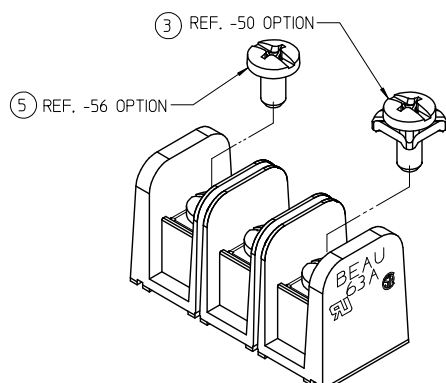
[sales@integrated-circuit.com](mailto:sales@integrated-circuit.com)



MATERIAL NUMBER (STD.)	MATERIAL NUMBER (-56)	MATERIAL NUMBER (-50)	NO. OF CIRCUITS	A	B
386306602	386390109	386307802	2	25.9 (1.02)	11.13 (.438)
386306603	386390110	386307803	3	37.1 (1.46)	22.22 (.875)
386306604	386390111	386307804	4	48.3 (1.90)	33.35 (1.313)
386306605	386390112	386307805	5	59.2 (2.33)	44.45 (1.750)
386306606	386390113	386307806	6	70.4 (2.77)	55.57 (2.188)
386306607	386390114	386307807	7	81.5 (3.21)	66.67 (2.625)
386306608	386390115	386307808	8	92.7 (3.65)	77.80 (3.063)
386306609	386390116	386307809	9	103.6 (4.08)	88.90 (3.500)
386306610	386390117	386307810	10	114.8 (4.52)	100.03 (3.938)
386306611	386390118	386307811	11	125.9 (4.96)	111.13 (4.375)
386306612	386390119	386307812	12	137.2 (5.40)	122.25 (4.813)
386306613	386390120	386307813	13	148.1 (5.83)	133.35 (5.250)
386306614	386390121	386307814	14	159.3 (6.27)	144.45 (5.687)
386306615	386390122	386307815	15	170.4 (6.71)	155.58 (6.125)
386306616	386390123	386307816	16	181.6 (7.15)	166.70 (6.563)



- NOTES:
1. MATERIAL: SEE TABLE
  2. FINISHES: SEE TABLE
  3. "XX" REFERS TO QTY. OF CIRCUITS.
  4. ASSEMBLY IS ROHS COMPLIANT.



ITEM	QTY.	DESCRIPTION	MATERIAL	FINISH	QUALITY SYMBOLS	GENERAL TOLERANCES (UNLESS SPECIFIED)		DIMENSION STYLE		SCALE	DESIGN UNITS	THIRD ANGLE PROJECTION
						mm	INCH	MM/IN	MM/IN			
5	XX	SCREW #6-32X.250 BHD, PH-SL STAINLESS (-56 OPT)	STAINLESS STL	PASSIVATE	CHG SS SCREW DRIVE RECESS EC NO: IP522013-0364 DRAWING YORK 2010/08/16 CHKD: MACIE L 2012/09/12 APPR: JMAONE L 2012/11/05 DESCRIPTION REV	4 PLACES	± .005	± .005	DRAWN BY R. STONE	DATE 2003/03/25	TITLE 11.13/.438" PCB BTS 600V NO MTG ENDS, STD LENGTH (63A5XX-C)	
4	XX	TERMINAL, PC (SHORT)	BRASS	TIN PLATE		3 PLACES	± .005	± .005	CHECKED BY R. KEMP	DATE 2003/03/27		
3	XX	SCREW/WSHR #6-32X.250 PAN, PH-SL (-50)	STEEL	ZN, CLEAR CHROMATE		2 PLACES	± 0.13	± .01	APPROVED BY P. WALTZ	DATE 2003/03/28		
2	XX	SCREW #6-32X.250 BHD, PH-SL (STD)	STEEL	ZN, CLEAR CHROMATE		1 PLACE	± 0.3	± .01	MATERIAL NO. SEE CHART			DOCUMENT NO. MOLEX INCORPORATED
1	1	BARRIER TERMINAL STRIP	POLYESTER (PBT)	BLACK		ANGULAR ± 2°		DRAFT WHERE APPLICABLE MUST REMAIN WITHIN DIMENSIONS		SD-38630-008		SHEET NO. 1 OF 1

1b\_frome\_B\_P\_ME\_T Rev. E 2006/04/15