

## Excellent Integrated System Limited

Stocking Distributor

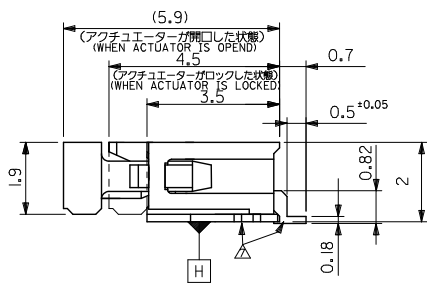
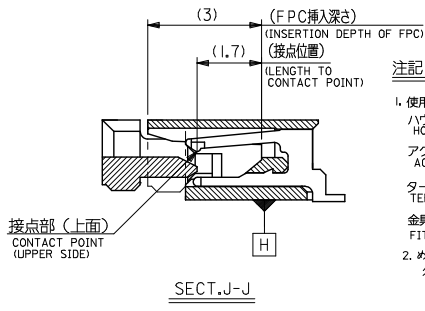
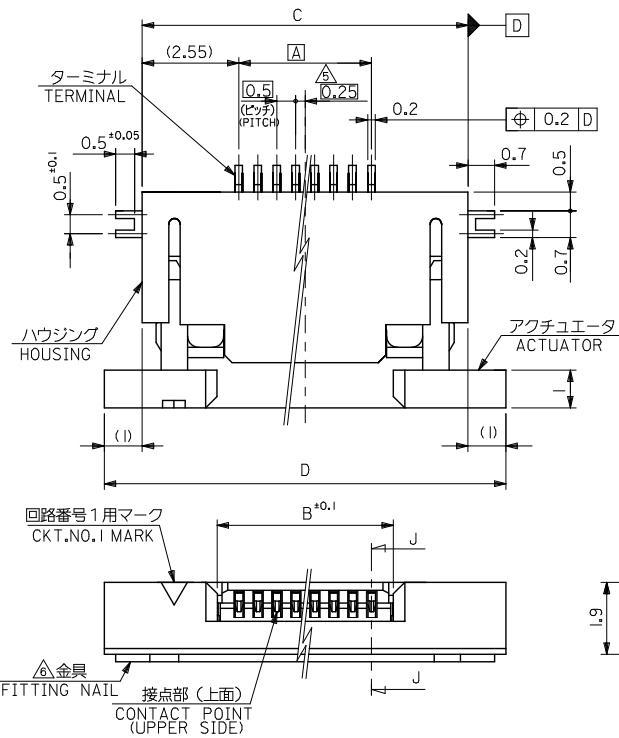
Click to view price, real time Inventory, Delivery & Lifecycle Information:

[Molex Connector Corporation](#)  
[0524352133](#)

For any questions, you can email us directly:

[sales@integrated-circuit.com](mailto:sales@integrated-circuit.com)

10 9 8 7 6 5 4 3 2 1



**注記 NOTES**

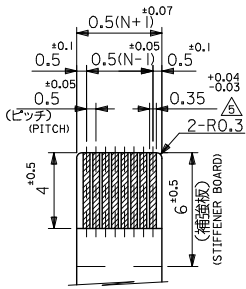
- 使用材料: MATERIAL
  - ハウジング: ポリアミド(PA)、ナチュラル(白色)、ガラス充填、UL94V-0
  - HOUSING: POLYAMIDE, NATURAL(WHITE), GLASS FILLED, UL94-V0
  - アクチュエータ: ポリフェニレンスルフィド(PPS)、黒色、ガラス充填、UL94V-0
  - ACTUATOR: POLYPHENYLENE SULFID, BLACK, GLASS FILLED, UL94V-0
  - ターミナル: リン青銅 (t=0.2)
  - TERMINAL: PHOSPHOR BRONZE (t=0.2)
  - 金具: リン青銅 (t=0.2)
  - FITTING NAIL: PHOSPHOR BRONZE (t=0.2)
- めっき仕様 PLATING
  - ターミナル: 銀めっき(1.0μm以上)
  - TERMINAL: SILVER
  - 下地: ニッケルめっき(1.0μm以上)
  - UNDER PLATE: NICKEL PLATING (1.0 MICROMETER MINIMUM)
  - 金具: 銀めっき(1.0μm以上)
  - 下地: ニッケルめっき(1.0μm以上)
  - TIN PLATING (1.0 MICROMETER MINIMUM)
  - UNDER PLATE: NICKEL PLATING (1.0 MICROMETER MINIMUM)
- △ R.0.3は、FPCの導体部にカからないこと。  
RO.3 MUST NOT BE OVERLAPPED TO PATTERN OF FPC.
- エンボステープ梱包時は、アクチュエータがロックした状態とする。  
IN THE PACKAGE, ACTUATOR OF PART NO.52435-\*\*22 SHOULD BE LOCKED.
- △ 偶数個に適用。  
APPLY FOR EVEN CIRCUIT.
- △ パターンはくりしめ用金具。  
FITTING NAIL FOR PREVENTION OF PEELING OF P.C.B. PATTERN.
- △ ソルダーテール半田付け面のズレ量、および金具半田付け面のズレ量は、基準面 H に対し上方向 0.1MAXIMUM、下方向 0.15MAXIMUM とし、相互のばらつきは 0.1MAXIMUM とする。  
MISALIGNMENT OF SOLDER TAILS AND FITTING NAILS FROM UPPER DIRECTION: 0.1MAXIMUM, LOWER DIRECTION: 0.15MAXIMUM, OFFSET BETWEEN UPPER AND LOWER: 0.1MAXIMUM.
8. ELV及びRoHS適合品  
ELV AND RoHS COMPLIANT

CONNECTOR SERIES NO. 52435-\*\*22

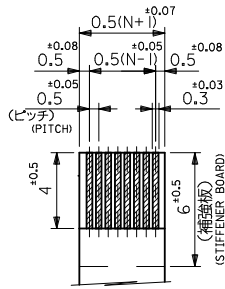
REVISED EC NO. J2014-0096 DRAWN BY: 2013/07/18 CHKD: CHIKDKAKAHASHI APPR: YNOGAWA 2013/08/19	GENERAL TOLERANCES (UNLESS SPECIFIED)		DIMENSION STYLE MM ONLY		SCALE ---	DESIGN UNITS METRIC	THIRD ANGLE PROJECTION
	10 UNDER	± 0.2	DRAWN BY	DATE	TITLE		
	10 OVER 30 UNDER	± 0.25	CHKD BY	DATE	0.5 FPC CONN ZIF R/A HOUSING ASSY (UPPER CONTAT)		
	30 OVER	± 0.3	APPR BY	DATE			
ANGULAR ± 3 °		MATERIAL NO.		DOCUMENT NO.			SHEET NO.
DRAFT WHERE APPLICABLE MUST REMAIN WITHIN DIMENSIONS		SEE CHART		SD-52435-022			1 OF 2
THIS DRAWING CONTAINS INFORMATION THAT IS PROPRIETARY TO MOLEX INCORPORATED AND SHOULD NOT BE USED WITHOUT WRITTEN PERMISSION							

9 8 7 6 5 4 3 2

10 9 8 7 6 5 4 3 2 1



適合FPC推奨寸法  
APPLICABLE FPC  
RECOMMENDED DIMENSION  
(仕上がり厚さ: 0.3<sup>+0.05</sup>)  
(THICKNESS: 0.3<sup>+0.05</sup>)

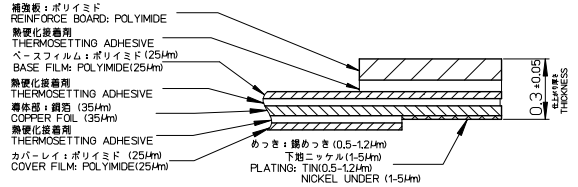


適合FFC推奨寸法  
APPLICABLE FFC  
RECOMMENDED DIMENSION  
(仕上がり厚さ: 0.3<sup>+0.05</sup>)  
(THICKNESS: 0.3<sup>+0.05</sup>)

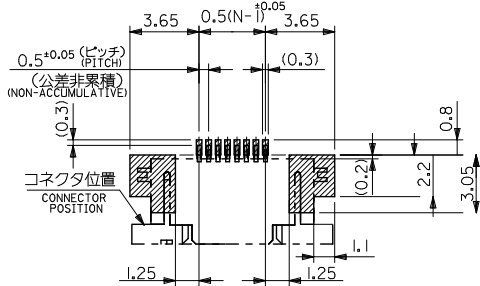
FPCについて  
補強フィルム材質はポリイミドを推奨します。ベースフィルムは25μmを推奨します。  
接着剤は熱硬化接着剤を推奨します。  
尚、接着剤の接点部への付着は導通不良の原因になりますので、染み出しが無い様、お願い致します

ABOUT FPC

RECOMMENDED STIFFENER MATERIAL: POLYIMIDE  
RECOMMENDED BASE FILM THICKNESS: 25 MICROMETER  
RECOMMENDED ADHESIVE: THERMOSETTING ADHESIVE  
NOTE: PLEASE PUT APPROPRIATE AMOUNT OF ADHESIVE ON ADHEREND BECAUSE THERE IS A POSSIBILITY THAT THE EXTRA ADHESIVE CAUSES THE DEFECT IN ELECTRICAL CONTINUITY.



FPC構成推奨仕様  
STRUCTURE OF FPC



推奨基板レイアウト (マウント面)  
RECOMMENDED P.C BOARD PATTERN DIMENSION (MOUNTING SIDE)  
マスク厚 : 100 μm  
マスク開口率 : 100%  
SCREEN THICKNESS : 100 μm  
SCREEN OPEN RATIO : 100%

21.6	19.6	15.65	14.5	52435-3033	30
21.1	19.1	15.15	14.0	-2933	29
20.6	18.6	14.65	13.5	-2833	28
20.1	18.1	14.15	13.0	-2733	27
19.6	17.6	13.65	12.5	-2633	26
19.1	17.1	13.15	12.0	-2533	25
18.6	16.6	12.65	11.5	-2433	24
18.1	16.1	12.15	11.0	-2333	23
17.6	15.6	11.65	10.5	-2233	22
17.1	15.1	11.15	10.0	-2133	21
D	C	B	(A)	オーダー番号 ORDER NO.	極数

FPC/FFCについて

打ち抜き方向は導体側から補強板側を推奨します。  
導体部については数値が35 μmまたは50 μmを推奨します。

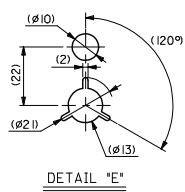
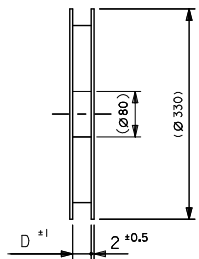
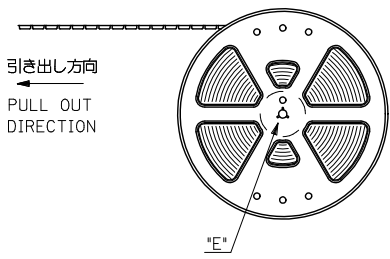
ABOUT FPC/FFC

RECOMMENDED PUNCHING DIRECTION: FROM CONDUCTOR SIDE TO STIFFENER SIDE  
RECOMMENDED CONDUCTOR SPEC: SOFT COPPER FOIL  
RECOMMENDED CONDUCTOR THICKNESS: 35 MICROMETER OR 50 MICROMETER

SEE SHEET 1 OF 2 REV B	GENERAL TOLERANCES (UNLESS SPECIFIED)	DIMENSION STYLE MM ONLY	SCALE ---	DESIGN UNITS METRIC	THIRD ANGLE PROJECTION
	10 UNDER ±0.2	DRAWN BY NKONDO	DATE 2012/09/10	TITLE 0.5 FPC CONN ZIF R/A HOUSING ASSY (UPPER CONTAT)	
	10 OVER 30 UNDER ±0.25	CHECKED BY KTAKAHASHI	DATE 2012/09/10		
	30 OVER ±0.3	APPROVED BY KNORIKAWA	DATE 2013/03/15		
ANGULAR ±3 °	DRAFT WHERE APPLICABLE MUST REMAIN WITHIN DIMENSIONS	MATERIAL NO.	SEE CHART	DOCUMENT NO. SD-52435-022	SHEET NO. 2 OF 2
THIS DRAWING CONTAINS INFORMATION THAT IS PROPRIETARY TO MOLEX INCORPORATED AND SHOULD NOT BE USED WITHOUT WRITTEN PERMISSION					

9 8 7 6 5 4 3 2

10 9 8 7 6 5 4 3 2 1



注記 NOTES

- 製品番号 52435-\*\*\*22 の梱包状態はアクチュエータがロックした状態とする。  
詳細寸法については図面 RSD-52435- 22 を参照下さい。  
IN THE PACKAGE,ACTUATOR OF PART NO.52435-\*\*\*22 SHOULD BE LOCKED RE DETAILED DIMENSIONS,SEE RSD-52435-021
- 梱包数量：1000個/リール  
NUMBER OF CONNECTORS:1000PCS/REEL
- リードテープ長さ LEAD TAPE LENGTH  

トップテープ リーダー部 175 <sup>+25</sup>	トップテープ 未接着部 25 <sup>+5</sup>
TOP TAPE LEADER PART	TOP TAPE NON-BONDED PART

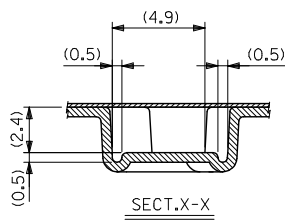
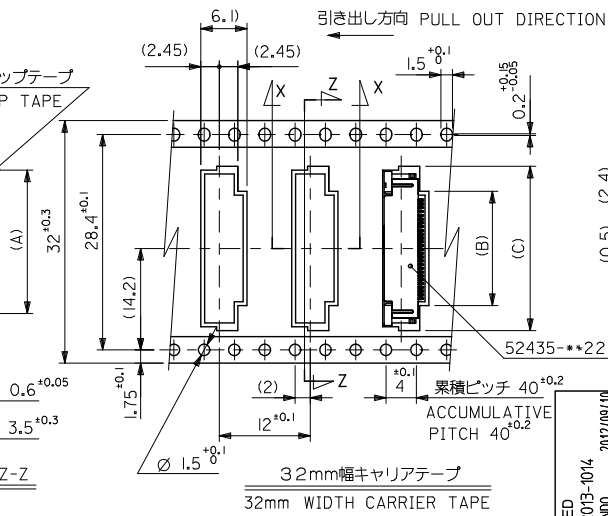
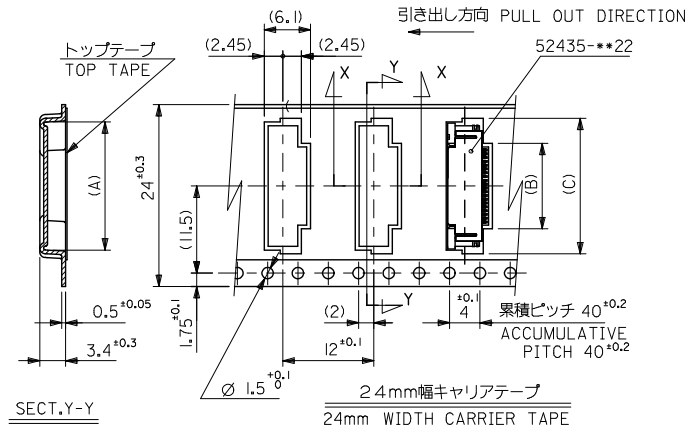
  

引き出し方向 PULL OUT DIRECTION	リーダー部 (空部) LEADER PART (EMPTY) 120 <sup>+20</sup>	部品挿入部 COMPONENT SUPPLIER	末端部 (空部) TAIL PART (EMPTY) 150 <sup>+40</sup>
------------------------------	---	--------------------------------	---
- トップテープの剥離強度については、IEC60286-3 に準拠  
TOP TAPE PEEL FORCE IS DEFINED BY IEC60286-3.
- 材料 (MATERIAL)  
キャリアテープ (CARRIER TAPE) : ポリプロピレン (POLYPROPYLENE)  
トップテープ (TOPTAPE) : PET, PE, PEF  
リール (REEL) : ポリスチレン (PS) <リサイクル材を含む>  
POLYSTYREN (PS) <RECYCLE MATERIAL CONTAINED>
- ELV及RoHS適合品  
ELV AND RoHS COMPLIANT

RELEASED EC NO. J2013-014 DRAWN BY 2012/09/10 CHKD BY 2012/09/10 APPR. BY 2013/03/15	GENERAL TOLERANCES (UNLESS SPECIFIED)		DIMENSION STYLE MM ONLY		SCALE ---	DESIGN UNITS METRIC	THIRD ANGLE PROJECTION
	10 UNDER	± 0.2	DRAWN BY NKONDO	DATE 2012/09/10	TITLE 0.5 FPC CONN ZIF SMT R/A WITH TAPE EMBSTP PKG		
	10 OVER 30 UNDER	± 0.25	CHECKED BY KTAKAHASHI	DATE 2012/09/10			
	30 OVER	± 0.3	APPROVED BY KNORIKAWA	DATE 2013/03/15			
ANGULAR ±3 °		MATERIAL NO.		DOCUMENT NO. SD-52435-023			
0	DRAFT WHERE APPLICABLE MUST REMAIN WITHIN DIMENSIONS		SEE CHART		THIS DRAWING CONTAINS INFORMATION THAT IS PROPRIETARY TO MOLEX INCORPORATED AND SHOULD NOT BE USED WITHOUT WRITTEN PERMISSION		

9 8 7 6 5 4 3 2 1

10 9 8 7 6 5 4 3 2 1



32	33.5	22.4	15.8	21.4	52435-2933	29
		21.9	15.3	20.9	-2833	28
		21.4	14.8	20.4	-2733	27
		20.9	14.3	19.9	-2633	26
		20.4	13.8	19.4	-2533	25
		19.9	13.3	18.9	-2433	24
		19.4	12.8	18.4	-2333	23
18.9	12.3	17.9	52435-2233	22		

RELEASED	2012/09/10	GENERAL TOLERANCES (UNLESS SPECIFIED)	DIMENSION STYLE	SCALE	DESIGN UNITS	THIRD ANGLE PROJECTION
EC NO. J2013-1014	2012/09/10	10 UNDER ± 0.2	MM ONLY	---	METRIC	
DRW: NKONDO	2012/09/10	10 OVER 30 UNDER ± 0.25	DRAWN BY	DATE	TITLE	
CHK: KTAKAHASHI	2012/09/10	30 OVER ± 0.3	KTAKAHASHI	2012/09/10	0.5 FPC CONN ZIF SMT R/A WITH TAPE EMBSTP PKG	
APP: KMORIKAWA	2013/03/15	ANGULAR ± 3 °	APPROVED BY	DATE	<b>molex</b>	
REV 0		DRAFT WHERE APPLICABLE MUST REMAIN WITHIN DIMENSIONS	MATERIAL NO.	SEE CHART	DOCUMENT NO. SD-52435-023	SHEET NO. 2 OF 3
			SIZE	THIS DRAWING CONTAINS INFORMATION THAT IS PROPRIETARY TO MOLEX INCORPORATED AND SHOULD NOT BE USED WITHOUT WRITTEN PERMISSION		

9 8 7 6 5 4 3 2 1

10 9 8 7 6 5 4 3 2 1

F

E

D

C

B

A

F

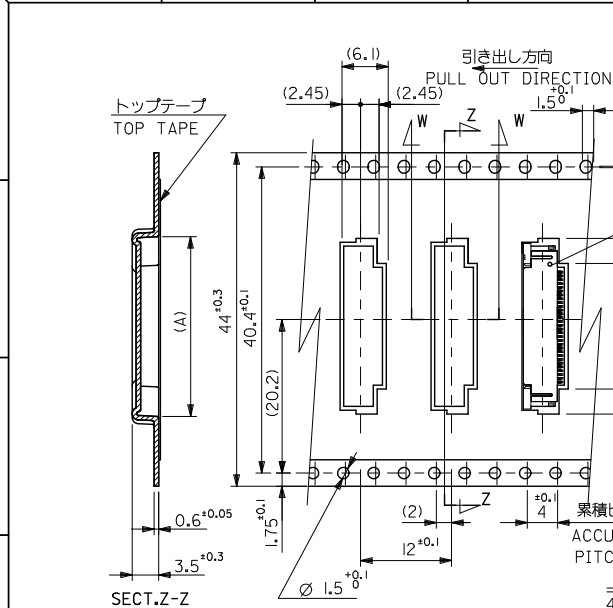
E

D

C

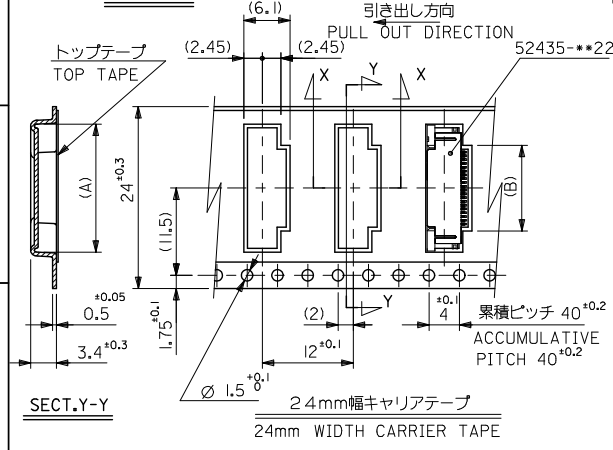
B

A



累積ピッチ 40<sup>+0.2</sup>  
ACCUMULATIVE PITCH 40<sup>+0.2</sup>  
44mm幅キャリアテープ  
44mm WIDTH CARRIER TAPE

44	45.5	22.9	16.3	21.9	52435-3033	30
キャリアテープ幅 CARRIER TAPE WIDTH	D	(C)	(B)	(A)	オーダー番号 ORDER NO.	極数 CIRCUIT



累積ピッチ 40<sup>+0.2</sup>  
ACCUMULATIVE PITCH 40<sup>+0.2</sup>  
24mm幅キャリアテープ  
24mm WIDTH CARRIER TAPE

24	25.5	11.8	17.4	52435-2133	21
キャリアテープ幅 CARRIER TAPE WIDTH	D	(B)	(A)	オーダー番号 ORDER NO.	極数 CIRCUIT

RELEASED EC NO. J2013-014 DRAWN BY NKONDO 2012/09/10 CHIKDKTAKAHASHI 2012/09/10 APPROVED BY KNORIKAWA 2013/03/15	GENERAL TOLERANCES (UNLESS SPECIFIED)		DIMENSION STYLE		SCALE	DESIGN UNITS	THIRD ANGLE PROJECTION
	10 UNDER	± 0.2	MM ONLY		---	METRIC	
	10 OVER 30 UNDER	± 0.25	DRAWN BY DATE				TITLE
	30 OVER	± 0.3	CHECKED BY DATE				0.5 FPC CONN ZIF SMT R/A WITH TAPE EMBSTP PKG
	ANGULAR ± 3 °		APPROVED BY DATE		MATERIAL NO.		DOCUMENT NO.
	DRAFT WHERE APPLICABLE MUST REMAIN WITHIN DIMENSIONS		SEE CHART		SD-52435-023		SHEET NO. 3 OF 3
THIS DRAWING CONTAINS INFORMATION THAT IS PROPRIETARY TO MOLEX INCORPORATED AND SHOULD NOT BE USED WITHOUT WRITTEN PERMISSION							

9 8 7 6 5 4 3 2 1