



Distributor of Phoenix Contact: Excellent Integrated System Limited
Datasheet of 1656136 - D-Sub Connector Receptacle, Female Sockets 15 Position Through Hole, Right Angle Solder

Contact us: sales@integrated-circuit.com Website: www.integrated-circuit.com

Excellent Integrated System Limited

Stocking Distributor

Click to view price, real time Inventory, Delivery & Lifecycle Information:

[Phoenix Contact](#)
[1656136](#)

For any questions, you can email us directly:

sales@integrated-circuit.com

D-SUB contact insert - VS-09-BU-DSUB-HD-ER - 1656136

Please be informed that the data shown in this PDF Document is generated from our Online Catalog. Please find the complete data in the user's documentation. Our General Terms of Use for Downloads are valid (<http://phoenixcontact.com/download>)

D-SUB contact insert, shell size 1, with 15 signal contacts, contact type socket, for PCB assembly, angled, fixing with 4-40 UNC thread and solder pins, for panel mounting frame VS-09-...



Key commercial data

| | |
|--------------------------------------|----------|
| Packing unit | 1 pc |
| Minimum order quantity | 10 pc |
| Weight per Piece (excluding packing) | 13.1 GRM |
| Custom tariff number | 85366990 |
| Country of origin | Germany |

Technical data

Mechanical characteristics

| | |
|------------------------------------|-------------------|
| Number of positions | 15 |
| Connection profile | D-SUB 9 |
| Insertion/withdrawal cycles | ≥ 200 |
| Connection method | Solder connection |
| Insertion force per signal contact | ≤ 3.40 N |

Ambient conditions

| | |
|---------------------------------|-------------------|
| Ambient temperature (operation) | -55 °C ... 125 °C |
|---------------------------------|-------------------|

Material data

| | |
|---|------------------------------|
| Inflammability class according to UL 94 | V0 |
| Housing material | Steel, yellow chromated |
| Contact carrier material | Polyester GF |
| Contact material | Copper alloy |
| Contact surface material | Hard gold-plated over nickel |

D-SUB contact insert - VS-09-BU-DSUB-HD-ER - 1656136

Technical data

Electrical characteristics

| | |
|-----------------------|------|
| Rated voltage (III/3) | 60 V |
| Rated surge voltage | 1 kV |
| Rated current | 3 A |

Classifications

eCl@ss

| | |
|------------|----------|
| eCl@ss 4.0 | 27140816 |
| eCl@ss 4.1 | 27260701 |
| eCl@ss 5.0 | 27260701 |
| eCl@ss 5.1 | 27260701 |
| eCl@ss 6.0 | 27260705 |
| eCl@ss 7.0 | 27440309 |
| eCl@ss 8.0 | 27440309 |

ETIM

| | |
|----------|----------|
| ETIM 2.0 | EC000438 |
| ETIM 3.0 | EC000438 |
| ETIM 4.0 | EC000438 |
| ETIM 5.0 | EC000438 |

UNSPSC

| | |
|---------------|----------|
| UNSPSC 6.01 | 30211923 |
| UNSPSC 7.0901 | 39121522 |
| UNSPSC 11 | 39121522 |
| UNSPSC 12.01 | 39121522 |
| UNSPSC 13.2 | 39121522 |

Approvals

Approvals

Approvals

GOST

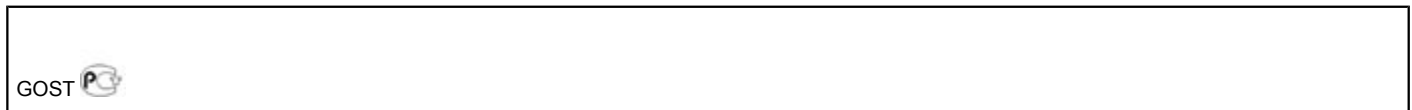
Ex Approvals

D-SUB contact insert - VS-09-BU-DSUB-HD-ER - 1656136

Approvals

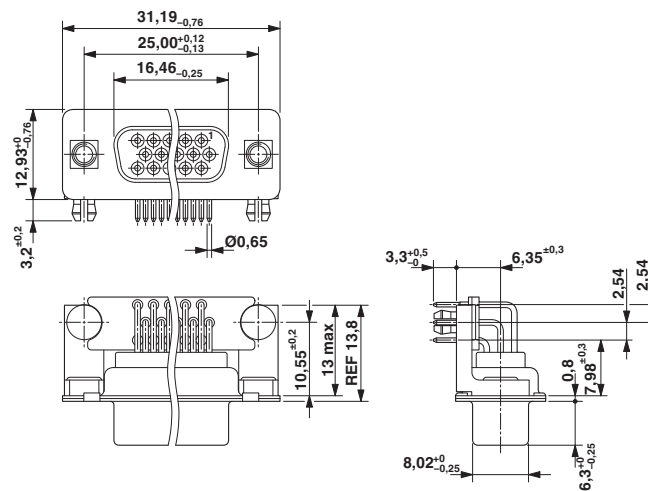
Approvals submitted

Approval details



Drawings

Dimensioned drawing



D-SUB contact insert