

## **Excellent Integrated System Limited**

Stocking Distributor

Click to view price, real time Inventory, Delivery & Lifecycle Information:

[Phoenix Contact](#)  
[1689938](#)

For any questions, you can email us directly:

[sales@integrated-circuit.com](mailto:sales@integrated-circuit.com)

https://www.phoenixcontact.com/us/products/1689938



## D-SUB contact support - VS-25-ST-DSUB-CD-G - 1689938

Please be informed that the data shown in this PDF Document is generated from our Online Catalog. Please find the complete data in the user's documentation. Our General Terms of Use for Downloads are valid (<http://phoenixcontact.com/download>)



D-SUB contact carrier, shell size 3, for 25 signal contacts, contact type pin, for crimp contacts, straight, fixing with 4-40 UNC thread, for panel mounting frame VS-25-...



### Key commercial data

Packing unit	1 pc
Weight per Piece (excluding packing)	9.63 GRM
Custom tariff number	85366990
Country of origin	Germany

### Technical data

#### Mechanical characteristics

Number of positions	25
Connection profile	25-pos. D-SUB
Insertion/withdrawal cycles	≥ 500
Connection method	Crimp connection

#### Ambient conditions

Ambient temperature (operation)	-55 °C ... 125 °C
---------------------------------	-------------------

#### Material data

Inflammability class according to UL 94	V0
Housing material	Steel, yellow chromated
Contact carrier material	Polyester GF

#### Electrical characteristics

Rated voltage (III/3)	125 V
Rated current	5 A

https://www.phoenixcontact.com/us/products/1689938



## D-SUB contact support - VS-25-ST-DSUB-CD-G - 1689938

### Classifications

eCl@ss

eCl@ss 4.0	27140816
eCl@ss 4.1	27260701
eCl@ss 5.0	27260701
eCl@ss 5.1	27260701
eCl@ss 6.0	27261203
eCl@ss 7.0	27440202
eCl@ss 8.0	27440202

ETIM

ETIM 2.0	EC000437
ETIM 3.0	EC000437
ETIM 4.0	EC000437
ETIM 5.0	EC000437

UNSPSC

UNSPSC 6.01	30211923
UNSPSC 7.0901	39121522
UNSPSC 11	39121522
UNSPSC 12.01	39121522
UNSPSC 13.2	39121522

### Approvals

Approvals

---

Approvals

GOST

---

Ex Approvals

---

Approvals submitted

---

Approval details

<https://www.phoenixcontact.com/us/products/1689938>



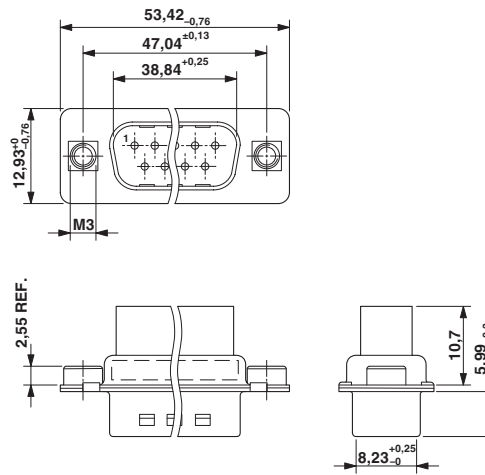
## D-SUB contact support - VS-25-ST-DSUB-CD-G - 1689938

### Approvals

GOST

### Drawings

Dimensioned drawing



D-SUB contact carrier