



**Distributor of Phoenix Contact: Excellent Integrated System Limited**  
Datasheet of 1689912 - D-Sub Connector Plug, Male Pins 25 Position Free Hanging (In-Line)  
IDC, Ribbon Cable

Contact us: [sales@integrated-circuit.com](mailto:sales@integrated-circuit.com) Website: [www.integrated-circuit.com](http://www.integrated-circuit.com)

---

## Excellent Integrated System Limited

Stocking Distributor

Click to view price, real time Inventory, Delivery & Lifecycle Information:

[Phoenix Contact](#)  
[1689912](#)

For any questions, you can email us directly:  
[sales@integrated-circuit.com](mailto:sales@integrated-circuit.com)

## D-SUB contact insert - VS-25-ST-DSUB-FK - 1689912

Please be informed that the data shown in this PDF Document is generated from our Online Catalog. Please find the complete data in the user's documentation. Our General Terms of Use for Downloads are valid (<http://phoenixcontact.com/download>)



D-SUB contact insert, shell size 3, with 25 signal contacts, contact type pin, flat-ribbon cable connection, angled, fixing with a 3 mm hole, for panel mounting frame VS-25-...



### Key commercial data

|                                      |           |
|--------------------------------------|-----------|
| Packing unit                         | 1 pc      |
| Weight per Piece (excluding packing) | 14.16 GRM |
| Custom tariff number                 | 85366990  |
| Country of origin                    | Germany   |

### Technical data

#### Mechanical characteristics

|                             |                              |
|-----------------------------|------------------------------|
| Number of positions         | 25                           |
| Connection profile          | 25-pos. D-SUB                |
| Insertion/withdrawal cycles | ≥ 200                        |
| Connection method           | Flat-ribbon cable connection |

#### Ambient conditions

|                                 |                   |
|---------------------------------|-------------------|
| Ambient temperature (operation) | -55 °C ... 105 °C |
|---------------------------------|-------------------|

#### Material data

|   |                              |
|---|------------------------------|
| Inflammability class according to UL 94 | V0                           |
| Housing material                        | Steel, yellow chromated      |
| Contact carrier material                | Polyester GF                 |
| Contact material                        | Copper alloy                 |
| Contact surface material                | Hard gold-plated over nickel |

#### Electrical characteristics

|                       |       |
|-----------------------|-------|
| Rated voltage (III/3) | 125 V |
|-----------------------|-------|

## D-SUB contact insert - VS-25-ST-DSUB-FK - 1689912

### Technical data

#### Electrical characteristics

|                     |      |
|---------------------|------|
| Rated surge voltage | 1 kV |
| Rated current       | 1 A  |

### Classifications

#### eCl@ss

|            |          |
|------------|----------|
| eCl@ss 4.0 | 27140816 |
| eCl@ss 4.1 | 27260701 |
| eCl@ss 5.0 | 27260701 |
| eCl@ss 5.1 | 27260701 |
| eCl@ss 6.0 | 27261203 |
| eCl@ss 7.0 | 27440202 |
| eCl@ss 8.0 | 27440202 |

#### ETIM

|          |          |
|----------|----------|
| ETIM 2.0 | EC000437 |
| ETIM 3.0 | EC000437 |
| ETIM 4.0 | EC000437 |
| ETIM 5.0 | EC000437 |

#### UNSPSC

|               |          |
|---------------|----------|
| UNSPSC 6.01   | 30211923 |
| UNSPSC 7.0901 | 39121522 |
| UNSPSC 11     | 39121522 |
| UNSPSC 12.01  | 39121522 |
| UNSPSC 13.2   | 39121522 |

### Approvals

#### Approvals

---

Approvals

GOST

---

Ex Approvals

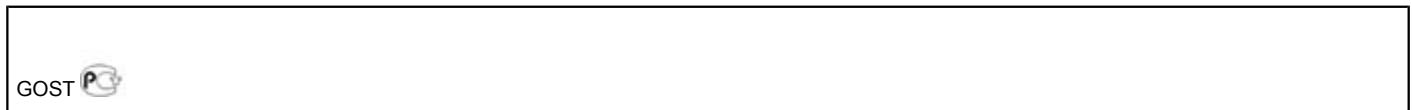
---

## D-SUB contact insert - VS-25-ST-DSUB-FK - 1689912

### Approvals

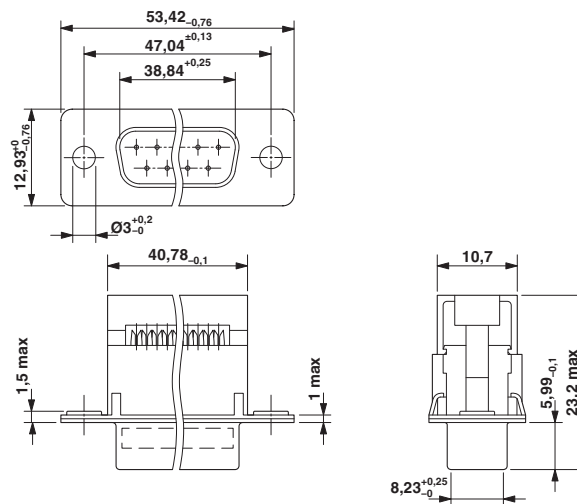
Approvals submitted

### Approval details



### Drawings

Dimensioned drawing



D-SUB contact insert