

## Excellent Integrated System Limited

Stocking Distributor

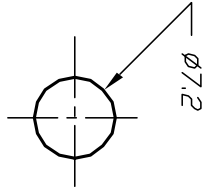
Click to view price, real time Inventory, Delivery & Lifecycle Information:

[E-Switch](#)

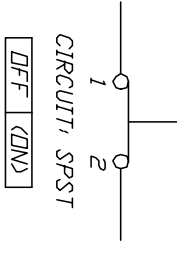
[PS1024ARED](#)

For any questions, you can email us directly:

[sales@integrated-circuit.com](mailto:sales@integrated-circuit.com)



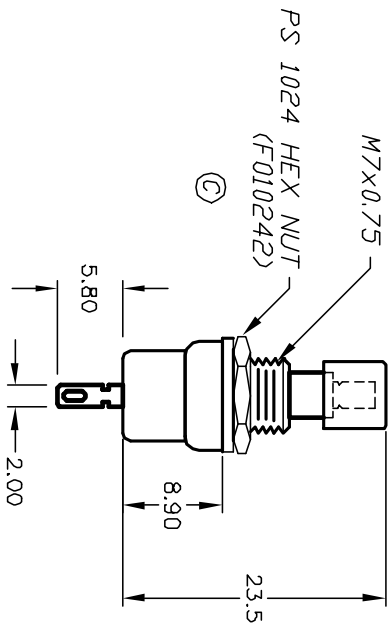
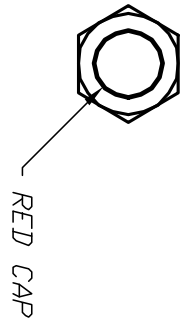
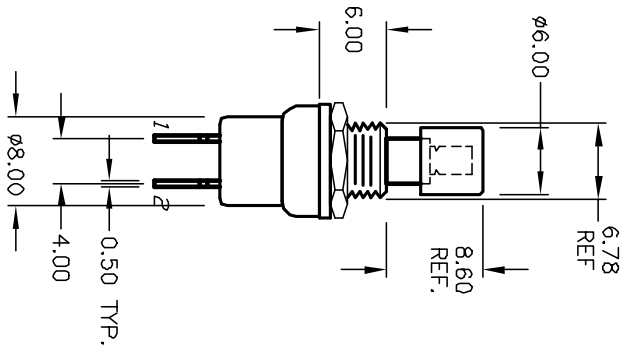
RECOMMENDED PANEL LAYOUT



< >=Momentary

NOTES:

1. ALL DIMENSIONS IN MM
2. GENERAL TOLERANCE: X.X=±0.4  
X.XX=±0.25
3. TERMINAL NO.'S FOR REFERENCE ONLY
4. RATING: 3A@ 125VAC; 1.5A @250VAC
5. CONTACT RESISTANCE:  
50mili-OHMS max.
6. INSULATION RESISTANCE:  
500V 100Mega-OHMS min.
7. DIELECTRIC STENGTH:  
1000V 1minute
8. HARDWARE SUPPLIED:  
HEX NUT (SHOWN), LOCK WASHER



**E-SWITCH®**

PS 1024A (RED CAP)

C	12574	ADD COMPONENT	11/18/02	CJB
B	12105	REVISED AND REDRAWN	5/13/02	CJB
REV.	ECN No.	DESCRIPTION	DATE	CHKD

TITLE	SCALE	DATE	DR	DWG	REV
PS 1024A (RED CAP)	1.5:1	11/13/96	MM	F010241	C

THE INFORMATION CONTAINED IN THIS DOCUMENT IS PROPRIETARY TO E-SWITCH AND IS NOT TO BE COPIED OR TRANSMITTED