

## **Excellent Integrated System Limited**

Stocking Distributor

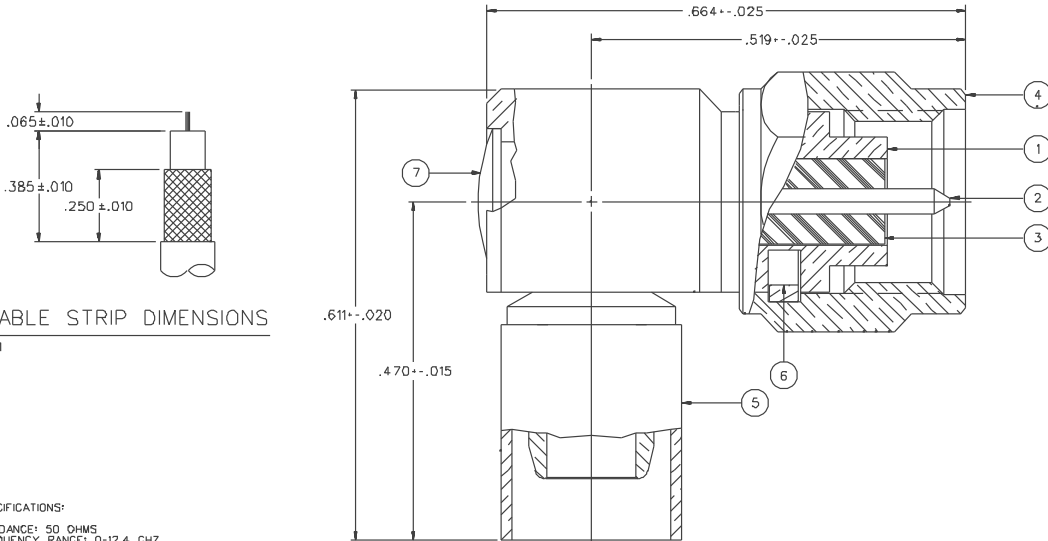
Click to view price, real time Inventory, Delivery & Lifecycle Information:

[Bel Fuse Inc.](#)  
[142-0407-106](#)

For any questions, you can email us directly:  
[sales@integrated-circuit.com](mailto:sales@integrated-circuit.com)

PART NUMBER	ITEM ① BODY	ITEM ② CONTACT	ITEM ③ INSULATOR	ITEM ④ HEX NUT	ITEM ⑤ CRIMP SLEEVE	ITEM ⑥ RETENTION SPRING	ITEM ⑦ END CAP
142-D407-101	BRASS GOLD PL .00001 MIN OVER NICKEL PL .00005 MIN OVER COPPER PL .00005 MIN	BRASS GOLD PL .00003 MIN OVER NICKEL PL .00005 MIN OVER COPPER PL .00005 MIN	TEFLON	BRASS GOLD PL .00001 MIN OVER NICKEL PL .00005 MIN OVER COPPER PL .00005 MIN	COPPER GOLD PL .00001 MIN OVER NICKEL PL .00005 MIN OVER COPPER PL .00005 MIN	BERYLLIUM COPPER UNPLATED	BRASS GOLD PL .00001 MIN OVER NICKEL PL .00005 MIN OVER COPPER PL .00005 MIN
142-D407-104	COPPER SILVER PL .00005 MIN OVER COPPER PL .000075 MIN	COPPER SILVER PL .00005 MIN OVER COPPER PL .000075 MIN	TEFLON	COPPER SILVER PL .00005 MIN OVER COPPER PL .000075 MIN	COPPER SILVER PL .00005 MIN OVER COPPER PL .000075 MIN	BERYLLIUM COPPER UNPLATED	BRASS SILVER PL .00005 MIN OVER COPPER PL .000075 MIN
142-D407-106	BRASS NICKEL PL .0001 MIN OVER COPPER PL .00005 MIN	BRASS GOLD PL .00003 MIN OVER NICKEL PL .00005 MIN OVER COPPER PL .00005 MIN	TEFLON	BRASS NICKEL PL .0001 MIN OVER COPPER PL .00005 MIN	COPPER NICKEL PL .0001 MIN OVER COPPER PL .00005 MIN	BERYLLIUM COPPER UNPLATED	BRASS NICKEL PL .0001 MIN OVER COPPER PL .00005 MIN

DRAWING NO.	
C - 142-0407-101/110	
REVISIONS	
0	
ENGINEERING RELEASE	
01	03-08-89 [E] [J] [R] [S] [T] [U] [V] [W] [X] [Y] [Z] [AA] [AB] [AC] [AD] [AE] [AF] [AG] [AH] [AI] [AJ] [AK] [AL] [AM] [AN] [AO] [AP] [AQ] [AR] [AS] [AT] [AU] [AV] [AW] [AX] [AY] [AZ] [BA] [BB] [BC] [BD] [BE] [BF] [BG] [BH] [BI] [BJ] [BK] [BL] [BM] [BN] [BO] [BP] [BQ] [BR] [BS] [BT] [BU] [BV] [BW] [BX] [BY] [BZ] [CA] [CB] [CC] [CD] [CE] [CF] [CG] [CH] [CI] [CJ] [CK] [CL] [CM] [CN] [CO] [CP] [CQ] [CR] [CS] [CT] [CU] [CV] [CW] [CX] [CY] [CZ] [DA] [DB] [DC] [DD] [DE] [DF] [DG] [DH] [DI] [DJ] [DK] [DL] [DM] [DN] [DO] [DP] [DQ] [DR] [DS] [DT] [DU] [DV] [DW] [DX] [DY] [DZ] [EA] [EB] [EC] [ED] [EE] [EF] [EG] [EH] [EI] [EJ] [EK] [EL] [EM] [EN] [EO] [EP] [EQ] [ER] [ES] [ET] [EU] [EV] [EW] [EX] [EY] [EZ] [FA] [FB] [FC] [FD] [FE] [FF] [FG] [FH] [FI] [FJ] [FK] [FL] [FM] [FN] [FO] [FP] [FQ] [FR] [FS] [FT] [FU] [FV] [FW] [FX] [FY] [FZ] [GA] [GB] [GC] [GD] [GE] [GF] [GG] [GH] [GI] [GJ] [GK] [GL] [GM] [GN] [GO] [GP] [GQ] [GR] [GS] [GT] [GU] [GV] [GW] [GX] [GY] [GZ] [HA] [HB] [HC] [HD] [HE] [HF] [HG] [HH] [HI] [HJ] [HK] [HL] [HM] [HN] [HO] [HP] [HQ] [HR] [HS] [HT] [HU] [HV] [HW] [HX] [HY] [HZ] [IA] [IB] [IC] [ID] [IE] [IF] [IG] [IH] [II] [IJ] [IK] [IL] [IM] [IN] [IO] [IP] [IQ] [IR] [IS] [IT] [IU] [IV] [IW] [IX] [IY] [IZ] [JA] [JB] [JC] [JD] [JE] [JF] [JG] [JH] [JI] [JJ] [JK] [JL] [JM] [JN] [JO] [JP] [JQ] [JR] [JS] [JT] [JU] [JV] [JW] [JX] [JY] [JZ] [KA] [KB] [KC] [KD] [KE] [KF] [KG] [KH] [KI] [KJ] [KL] [KM] [KN] [KO] [KP] [KQ] [KR] [KS] [KT] [KU] [KV] [KW] [KX] [KY] [KZ] [LA] [LB] [LC] [LD] [LE] [LF] [LG] [LH] [LI] [LJ] [LK] [LL] [LM] [LN] [LO] [LP] [LQ] [LR] [LS] [LT] [LU] [LV] [LW] [LX] [LY] [LZ] [MA] [MB] [MC] [MD] [ME] [MF] [MG] [MH] [MI] [MJ] [MK] [ML] [MN] [MO] [MP] [MQ] [MR] [MS] [MT] [MU] [MV] [MW] [MX] [MY] [MZ] [NA] [NB] [NC] [ND] [NE] [NF] [NG] [NH] [NI] [NJ] [NK] [NL] [NM] [NO] [NP] [NQ] [NR] [NS] [NT] [NU] [NV] [NW] [NX] [NY] [NZ] [OA] [OB] [OC] [OD] [OE] [OF] [OG] [OH] [OI] [OJ] [OK] [OL] [OM] [ON] [OO] [OP] [OQ] [OR] [OS] [OT] [OU] [OV] [OW] [OX] [OY] [OZ] [PA] [PB] [PC] [PD] [PE] [PF] [PG] [PH] [PI] [PJ] [PK] [PL] [PM] [PN] [PO] [PP] [PQ] [PR] [PS] [PT] [PU] [PV] [PW] [PX] [PY] [PZ] [QA] [QB] [QC] [QD] [QE] [QF] [QG] [QH] [QI] [QJ] [QK] [QL] [QM] [QN] [QO] [QP] [QQ] [QR] [QS] [QT] [QU] [QV] [QW] [QX] [QY] [QZ] [RA] [RB] [RC] [RD] [RE] [RF] [RG] [RH] [RI] [RJ] [RK] [RL] [RM] [RN] [RO] [RP] [RQ] [RR] [RS] [RT] [RU] [RV] [RW] [RX] [RY] [RZ] [SA] [SB] [SC] [SD] [SE] [SF] [SG] [SH] [SI] [SJ] [SK] [SL] [SM] [SN] [SO] [SP] [SQ] [SR] [SS] [ST] [SU] [SV] [SW] [SX] [SY] [SZ] [TA] [TB] [TC] [TD] [TE] [TF] [TG] [TH] [TI] [TJ] [TK] [TL] [TM] [TN] [TO] [TP] [TQ] [TR] [TS] [TT] [TU] [TV] [TW] [TX] [TY] [TZ] [UA] [UB] [UC] [UD] [UE] [UF] [UG] [UH] [UI] [UJ] [UK] [UL] [UM] [UN] [UO] [UP] [UQ] [UR] [US] [UT] [UU] [UV] [UW] [UX] [UY] [UZ] [VA] [VB] [VC] [VD] [VE] [VF] [VG] [VH] [VI] [VJ] [VK] [VL] [VM] [VN] [VO] [VP] [VQ] [VR] [VS] [VT] [VU] [VV] [VW] [VX] [VY] [VZ] [WA] [WB] [WC] [WD] [WE] [WF] [WG] [WH] [WI] [WJ] [WK] [WL] [WM] [WN] [WO] [WP] [WQ] [WR] [WS] [WT] [WU] [WV] [WW] [WX] [WY] [WZ] [XA] [XB] [XC] [XD] [XE] [XF] [XG] [XH] [XI] [XJ] [XK] [XL] [XM] [XN] [XO] [XP] [XQ] [XR] [XS] [XT] [XU] [XV] [XW] [XX] [XY] [XZ] [YA] [YB] [YC] [YD] [YE] [YF] [YG] [YH] [YI] [YJ] [YK] [YL] [YM] [YN] [YO] [YP] [YQ] [YR] [YS] [YT] [YU] [YV] [YW] [YX] [YZ] [ZA] [ZB] [ZC] [ZD] [ZE] [ZF] [ZG] [ZH] [ZI] [ZJ] [ZK] [ZL] [ZM] [ZN] [ZO] [ZP] [ZQ] [ZR] [ZS] [ZT] [ZU] [ZV] [ZW] [ZX] [ZY] [ZZ]



CABLE STRIP DIMENSIONS  
4:1

NOTES:

1. SPECIFICATIONS:

IMPEDANCE: 50 OHMS  
 FREQUENCY RANGE: 0-12.4 GHZ  
 VSWR: 1.15-.02F MAX (F IN GHZ)  
 WORKING VOLTAGE: 335 VRMS MAX AT SEA LEVEL  
 DIELECTRIC WITHSTANDING VOLTAGE: 1000 VRMS MIN AT SEA LEVEL  
 INSULATION RESISTANCE: 5000 MEGOHM MIN  
 CONTACT RESISTANCE:  
 CENTER CONTACT - INITIAL 4.0 MILLIOHM MAX, AFTER ENVIRONMENTAL 6.0 MILLIOHM MAX  
 OUTER CONDUCTOR - INITIAL 2.0 MILLIOHM MAX AFTER ENVIRONMENTAL NOT APPLICABLE  
 BODY TO CABLE - 0.5 MILLIOHM MAX (GOLD PLATED), 5.0 MILLIOHMS MAX (NICKEL PLATED)  
 CORONA LEVEL: 250 VOLTS MIN AT 70,000 FEET  
 INSERTION LOSS: .15 DB (F IN GHZ) AT 6 GHZ  
 RF LEAKAGE: -60 DB MIN AT 2.5 GHZ  
 RF HIGH POTENTIAL WITHSTANDING VOLTAGE: 670 VRMS MIN AT 4 AND 7 MHZ

MECHANICAL:

ENGAGE/DISENGAGE TORQUE: 2 INCH-POUNDS MAX  
 MATING TORQUE: 7-10 INCH POUNDS  
 COUPLING PROOF TORQUE: 15 INCH-POUNDS MIN  
 COUPLING NUT RETENTION: 60 LBS MIN  
 CONTACT RETENTION: 6 LBS MIN  
 CABLE ACCEPTABILITY: RC 58, RG 141, RC 303  
 CABLE HEX CRIMP SIZE: .213  
 CABLE RETENTION: 40 LBS MIN AXIAL FORCE  
 DURABILITY: 500 CYCLES MIN

ENVIRONMENTAL:

(MEETS OR EXCEEDS THE APPLICABLE PARAGRAPH OF MIL-C-39012)  
 THERMAL SHOCK: MIL-STD-202, METHOD 107, CONDITION B, EXCEPT -B5 DEG C HIGH TEMP  
 OPERATING TEMPERATURE: -65 DEG C TO 165 DEG C  
 CORROSION: MIL-STD-202, METHOD 101, CONDITION B  
 SHOCK: MIL-STD-202, METHOD 213, CONDITION I  
 VIBRATION: MIL-STD-202, METHOD 204, CONDITION D  
 MOISTURE RESISTANCE: MIL-STD-202, METHOD 106

CUSTOMER DRAWING  
 THIS DRAWING TO BE INTERPRETED PER ANSI Y14.5M - 1982  
 "μSTATION"  
 COMPANY CONFIDENTIAL

TOLERANCE UNLESS OTHERWISE SPECIFIED	DRAWN BY <b>EJ</b>	DATE 8-12-87	 <small>Crab Connectivity Solutions        209 Johnson Ave. Ste. 110        Worcester, MA 01091        5400-247-8256</small>
DECIMALS: .XX	CHECKED BY	DATE	
MATERIAL	APPROVED BY TAK	DATE 3-10-89	TITLE PLUG ASSEMBLY, RA CABLED SMA, RG 58
FINISH	APPROVED BY RUB	DATE 3-13-89	CODE NO.
	RELEASE DATE	4-10-89	DRAWING NO. C - 142-0407-101/110
			SCALE 10:1 U/M INCH SHEET 2 OF 2