



Excellent Integrated System Limited

Stocking Distributor

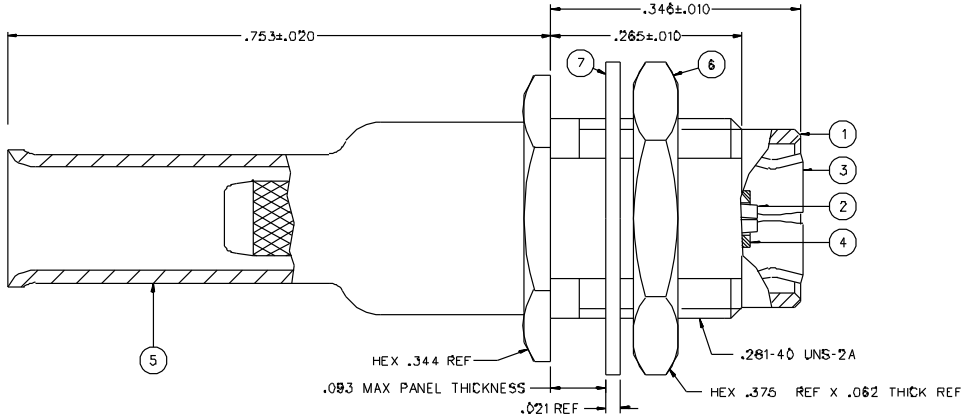
Click to view price, real time Inventory, Delivery & Lifecycle Information:

[Bel Fuse Inc.](#)
[131-3404-406](#)

For any questions, you can email us directly:
sales@integrated-circuit.com

PART NUMBER	ITEM ①	ITEM ②	ITEM ③	ITEM ④	ITEM ⑤	ITEM ⑥	ITEM ⑦
131-3404-401	BRASS BODY GOLD PL .00001 MIN OVER NICKEL PL .00005 MIN OVER COPPER PL .00005 MIN	BERYLLIUM COPPER CONTACT GOLD PL .00003 MIN OVER NICKEL PL .00005 MIN OVER COPPER PL .00005 MIN	BERYLLIUM COPPER INTERFACE GOLD PL .00003 MIN OVER NICKEL PL .00005 MIN OVER COPPER PL .00005 MIN	INSULATOR TEFLON	CRIMP SLEEVE COPPER GOLD PL .00001 MIN OVER NICKEL PL .00005 MIN OVER COPPER PL .00005 MIN	MOUNTING NUT BRASS GOLD PL .00001 MIN OVER NICKEL PL .00005 MIN OVER COPPER PL .00005 MIN	LOCKWASHER PHOSPHOR BRONZE GOLD PL .00001 MIN OVER NICKEL PL .00005 MIN OVER COPPER PL .00005 MIN
131-3404-406	BRASS BODY NICKEL PL .0001 MIN OVER COPPER PL .00005 MIN	BERYLLIUM COPPER CONTACT GOLD PL .00003 MIN OVER NICKEL PL .00005 MIN OVER COPPER PL .00005 MIN	BERYLLIUM COPPER INTERFACE GOLD PL .00003 MIN OVER NICKEL PL .00005 MIN OVER COPPER PL .00005 MIN	INSULATOR TEFLON	CRIMP SLEEVE COPPER GOLD PL .00001 MIN OVER NICKEL PL .00005 MIN OVER COPPER PL .00005 MIN	MOUNTING NUT BRASS GOLD PL .00001 MIN OVER NICKEL PL .00005 MIN OVER COPPER PL .00005 MIN	LOCKWASHER PHOSPHOR BRONZE GOLD PL .00001 MIN OVER NICKEL PL .00005 MIN OVER COPPER PL .00005 MIN

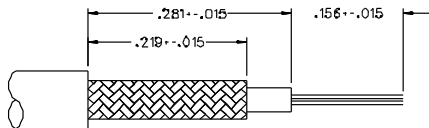
DRAWING NO. C - 131-3404-401/410			
0 REVISIONS			
ENGINEERING RELEASE			
1	9-10-96	RJB	8-11-96 ECN 44274
VERSION UPDATE			
* REVISION NUMBER FOLLOWED BY AN ALPHA * * CHARACTER INDICATES DRAWING CLASS * * CATION OR PART NUMBER ADDITION ONLY *			
1a	8-3-99	RJB	ECN 46574



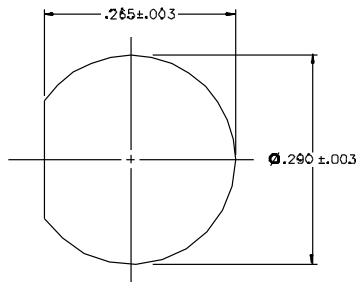
NOTES:

1. SPECIFICATIONS:

- IMPEDANCE: 50 OHMS
- FREQUENCY RANGE: 0-4 GHZ
- VSWR: 1.25 @ 4 F (F IN GHZ) (50 OHM CABLE ONLY)
- WORKING VOLTAGE: 335 VRMS MAX AT SEA LEVEL
- DIELECTRIC WITHSTANDING VOLTAGE: 1000 VRMS MIN AT SEA LEVEL
- INSULATION RESISTANCE: 1000 MEGOHM MIN
- CONTACT RESISTANCE:
 - CENTER CONTACT - INITIAL 5 MILLIOHM MAX, AFTER ENVIRONMENTAL 8 MILLIOHM MAX
 - OUTER CONDUCTOR - GOLD PLATED INITIAL 1 MILLIOHM MAX, AFTER ENVIRONMENTAL 1.5 MILLIOHM MAX
 - NICKEL PLATED INITIAL 2.5 MILLIOHM MAX, AFTER ENVIRONMENTAL 3.5 MILLIOHM MAX
- BRAID TO BODY - GOLD PLATED INITIAL 1 MILLIOHM MAX, AFTER ENVIRONMENTAL NOT APPLICABLE
- NICKEL PLATED INITIAL 2.5 MILLIOHM MAX, AFTER ENVIRONMENTAL NOT APPLICABLE
- CORONA LEVEL: 250 VOLTS MIN AT 70,000 FEET
- INSERTION LOSS: .30 DB MAX AT 1.5 GHZ (50 OHM CABLE ONLY)
- RF LEAKAGE: .55 DB MIN AT 2.5 GHZ (50 OHM CABLE ONLY)
- RF HIGH POTENTIAL WITHSTANDING VOLTAGE: 700 VRMS MIN AT 4 AND 7 MHZ
- MECHANICAL:
 - ENGAGE/DISENGAGE FORCE: INITIAL 14 LBS MAX, AFTER DURABILITY 14 LBS MAX
 - ENGAGEMENT/2 LBS MIN DISENGAGEMENT
 - MATING TORQUE: NOT APPLICABLE
 - COUPLING PROOF TORQUE: NOT APPLICABLE
 - COUPLING NUT RETENTION: NOT APPLICABLE
 - CONTACT RETENTION: 4 LBS MIN AXIAL FORCE
 - CABLE ACCEPTABILITY: RC 316/U DOUBLE SHIELDED, RC 179 DOUBLE SHIELDED, RC 188/U DOUBLE SHIELDED, RC 187 DOUBLE SHIELDED
 - CABLE HEX CRIMP SIZE: 15
 - CABLE RETENTION: 20 LBS MIN OR CABLE BREAKING STRENGTH
 - DURABILITY: 500 CYCLES MIN
- ENVIRONMENTAL:
 - (MEETS OR EXCEEDS THE APPLICABLE PARAGRAPH OF MIL-C-39012)
 - THERMAL SHOCK: MIL-STD-202, METHOD 107, CONDITION B
 - OPERATING TEMPERATURE: -65 DEG C TO 165 DEG C
 - CORROSION: MIL-STD-202, METHOD 101, CONDITION B
 - SHOCK: MIL-STD-202, METHOD 213, CONDITION B
 - VIBRATION: MIL-STD-202, METHOD 204, CONDITION B



CABLE STRIP DIMENSIONS



RECOMMENDED MOUNTING HOLE

CUSTOMER DRAWING

THIS DRAWING TO BE INTERPRETED PER ANSI Y 14.5M - 1982

"μSTATION"

COMPANY CONFIDENTIAL

TOLERANCE UNLESS OTHERWISE SPECIFIED	DRAWN BY RJB	DATE 8-16-96	 <small>Cinch Connectivity Solutions 299 Johnson Ave. Ste. 100 Worcester, MA 01093 1-800-247-8226</small>
DECIMALS mm	CHECKED BY	DATE	
.XXX	APPROVED BY RJB	DATE 9-10-96	TITLE PLUG ASSEMBLY, STRAIGHT CABLED BULKHEAD, SMB, 50 OHM, RC 316 DS
MATL	APPROVED BY	DATE	CODE NO.
FINISH	RELEASE DATE 8-3-99		DRAWING NO. C - 131-3404-401/410
			SCALE 10:1 U/M INCH SHEET 2 OF 2