

## Excellent Integrated System Limited

Stocking Distributor

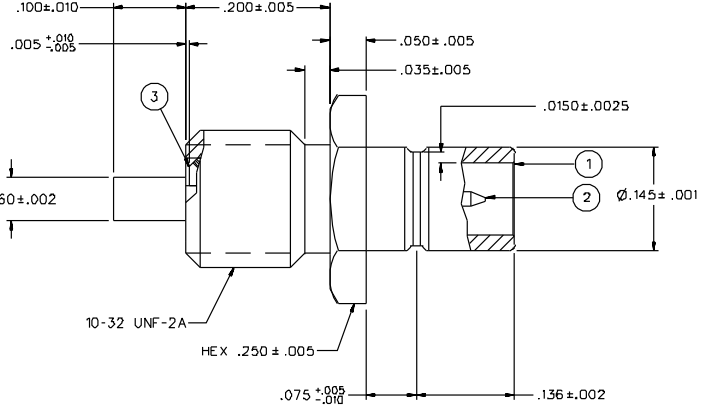
Click to view price, real time Inventory, Delivery & Lifecycle Information:

[Bel Fuse Inc.](#)  
[131-3701-446](#)

For any questions, you can email us directly:  
[sales@integrated-circuit.com](mailto:sales@integrated-circuit.com)

PART NUMBER	ITEM ①	ITEM ②	ITEM ③
131-3701-441	BODY BRASS GOLD PL .00001 MIN OVER NICKEL PL .00005 MIN OVER COPPER PL .00005 MIN	CONTACT BRASS GOLD PL .00005 MIN OVER NICKEL PL .00005 MIN OVER COPPER PL .00005 MIN	INSULATOR TEFLON
131-3701-442	BRASS GOLD PL .00001 MIN OVER NICKEL PL .00005 MIN OVER COPPER PL .00005 MIN	BRASS GOLD PL .00005 MIN OVER NICKEL PL .00005 MIN OVER COPPER PL .00005 MIN	TEFLON
131-3701-446	BRASS NICKEL PL .0001 MIN OVER COPPER PL .00005 MIN	BRASS GOLD PL .00005 MIN OVER NICKEL PL .00005 MIN OVER COPPER PL .00005 MIN	TEFLON

DRAWING NO.			
C - 131-3701-441/450			
0 REVISIONS			
ENGINEERING RELEASE			
1	11-21-96	RJB	12-6-96 ECN 44505
VERSION UPDATE			
1a	12-11-96	RJB	12-16-96 ECN 44506
CHANGED: .256+-010 WAS .291+-010			
2	2-10-97	RJB	ECN 44614
ADDED: 2 IN-.02 MIN TORQUE TO CONTACT RETENTION SPEC			
2a	9-25-98	RJB	ECN 45875
ADDED: P/N'S 131-3701-441 & -446, DIA .144+-002, .0150+-0025			
3	5-20-99	RJB	ECN 46410
VERSION UPDATE			
3b	8-3-99	RJB	ECN 46618
CHANGED: .005-.010-.005 WAS .005 -.005-.050-.005 WAS .050-.010- DIA .145-.001 WAS DIA .145-.002 RELEASED: .256+-010 ADDED: .136+-002, .075+-005-.010			
* REVISION NUMBER FOLLOWED BY AN ALPHA *			
* CHANGE INDICATED DRAWING CLAMP *			
* CLAMP OR PART NUMBER ADDITION ONLY *			
3b	3-14-00	RJB	ECN 47023



- NOTES:
- SPECIFICATIONS:
    - IMPEDANCE: 50 OHMS
    - FREQUENCY RANGE: 0-4 GHz
    - VSWR: 1.3 MAX
    - WORKING VOLTAGE: 335 VRMS MAX AT SEA LEVEL
    - DIELECTRIC WITHSTANDING VOLTAGE: 10DD VRMS MIN AT SEA LEVEL
    - INSULATION RESISTANCE: 1000 MEGOHM MIN
    - CONTACT RESISTANCE:
      - CENTER CONTACT - INITIAL 6 MILLIOHM MAX, AFTER ENVIRONMENTAL 8 MILLIOHM MAX
      - OUTER CONDUCTOR - GOLD PLATED INITIAL 1 MILLIOHM MAX, AFTER ENVIRONMENTAL 1.5 MILLIOHM MAX
      - NICKEL PLATED INITIAL 2.5 MILLIOHM MAX, AFTER ENVIRONMENTAL 3.5 MILLIOHM MAX
    - BRAID TO BODY - NOT APPLICABLE
    - CORONA LEVEL: NOT APPLICABLE
    - INSERTION LOSS: NOT APPLICABLE
    - RF LEAKAGE: NOT APPLICABLE
    - RF HIGH POTENTIAL WITHSTANDING VOLTAGE: 600 VRMS AT 4 AND 7 MHZ
  - MECHANICAL:
    - ENGAGE/DISENGAGE FORCE: INITIAL 14 LBS MAX, AFTER DURABILITY 14 LBS MAX, ENGAGEMENT, 3 LB MIN DISENGAGEMENT
    - MATING TORQUE: NOT APPLICABLE
    - COUPLING PROOF TORQUE: NOT APPLICABLE
    - COUPLING NUT RETENTION: NOT APPLICABLE
    - CONTACT RETENTION: 4 LBS MIN AXIAL FORCE FROM REAR, 6 LBS MIN FROM FRONT, 2 IN-.02 MIN TORQUE
    - CABLE ACCEPTABILITY: NOT APPLICABLE
    - CABLE HEX CRAMP SIZE: NOT APPLICABLE
    - CABLE RETENTION: NOT APPLICABLE
    - DURABILITY: 500 CYCLES MIN
  - ENVIRONMENTAL:
    - (MEETS OR EXCEEDS THE APPLICABLE PARAGRAPH OF MIL-C-39012)
    - THERMAL SHOCK: MIL-STD-202, METHOD 107, CONDITION B
    - OPERATING TEMPERATURE: -65 DEG C TO 165 DEG C
    - CORROSION: MIL-STD-202, METHOD 101, CONDITION B
    - SHOCK: MIL-STD-202, METHOD 213, CONDITION B
    - VIBRATION: MIL-STD-202, METHOD 204, CONDITION B

CUSTOMER DRAWING  
 THIS DRAWING TO BE INTERPRETED PER ANSI Y 14.5M - 1982  
 "µSTATION"  
 COMPANY CONFIDENTIAL

TOLERANCE UNLESS OTHERWISE SPECIFIED	DRAWN BY	DATE	JOHNSON Cinch Connectivity Solutions 299 Johnson Ave. Ste. 100 Waukegan, IL 60087 1-800-247-8226
.XX _____ mm	RJB	11-18-96	
.XXX _____	CHECKED BY	DATE	TITLE JACK ASSEMBLY, FRONT MOUNT BULKHEAD, SMB
MATL _____	APPROVED BY	DATE	CODE NO. _____
FINISH _____	APPROVED BY	DATE	DRAWING NO. C - 131-3701-441/450
	RELEASE DATE	12-6-96	SCALE 10:1 U/N INCH SHEET 2 OF 2