

## Excellent Integrated System Limited

Stocking Distributor

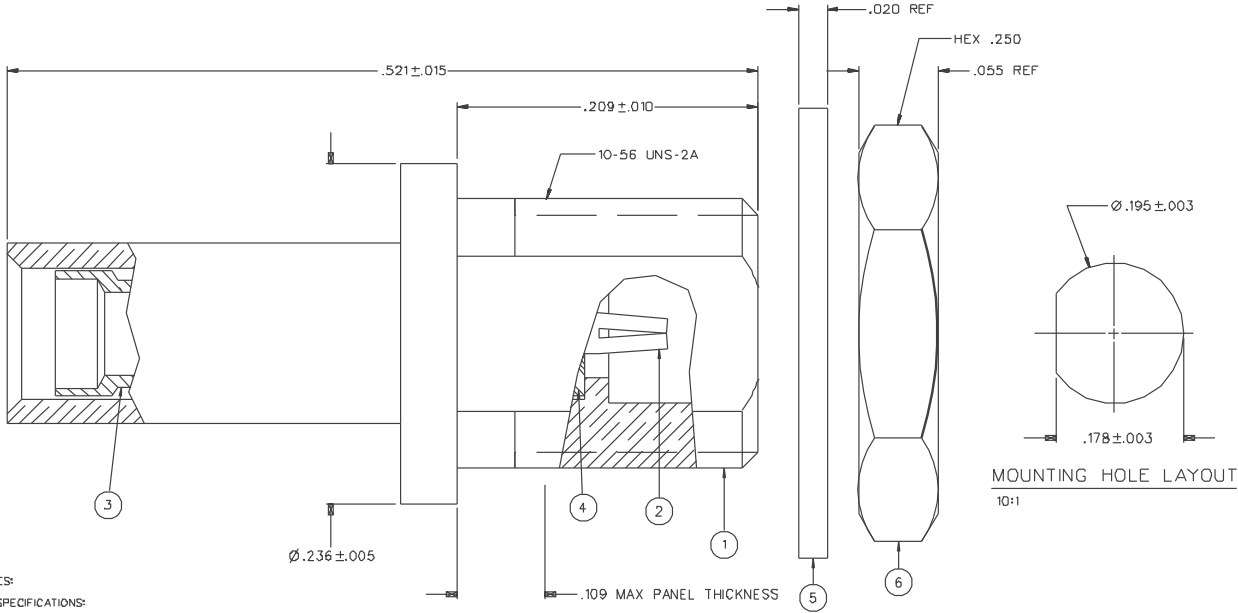
Click to view price, real time Inventory, Delivery & Lifecycle Information:

[Bel Fuse Inc.](#)  
[135-3302-401](#)

For any questions, you can email us directly:  
[sales@integrated-circuit.com](mailto:sales@integrated-circuit.com)

ITEM	ITEM	ITEM	ITEM	ITEM
135-3302-401	BRASS GOLD PL .00001 MIN OVER NICKEL PL .00005 MIN OVER COPPER PL .00005 MIN	BERYLLIUM COPPER GOLD PL .00003 MIN OVER NICKEL PL .00005 MIN OVER COPPER PL .00005 MIN	BRASS GOLD PL .00001 MIN OVER NICKEL PL .00005 MIN OVER COPPER PL .00005 MIN	INSULATOR TEFLON
				PHOSPHOR BRONZE GOLD PL .00001 MIN OVER NICKEL PL .00005 MIN OVER COPPER PL .00005 MIN
				BRASS GOLD PL .00001 MIN OVER NICKEL PL .00005 MIN OVER COPPER PL .00005 MIN

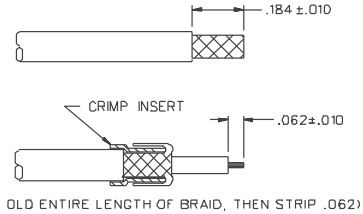
DRAWING NO. C - 135-3302-401/410	
REVISIONS	
0	
ENGINEERING RELEASE	
1	12-21-98 RJB 1:5-99 ECN 46059
CHANGED: .521-.DB WAS .496-.015	
2	1-26-00 RJB 1:1-00 ECN 46902



MOUNTING HOLE LAYOUT  
10:1

NOTES:

- SPECIFICATIONS:
  - IMPEDANCE: 50 OHMS
  - FREQUENCY RANGE: 0-6 GHz
  - VSWR: 1.25 MAX (F IN GHz)
  - WORKING VOLTAGE: 170 VRMS MAX AT SEA LEVEL
  - DIELECTRIC WITHSTANDING VOLTAGE: 500 VRMS MIN AT SEA LEVEL
  - INSULATION RESISTANCE: 1000 MEGOHM MIN
  - CONTACT RESISTANCE:
    - CENTER CONTACT - INITIAL 5.0 MILLIOHM MAX, AFTER ENVIRONMENTAL 8.0 MILLIOHM MAX
    - OUTER CONDUCTOR - GOLD PLATED INITIAL 1 MILLIOHM MAX, AFTER ENVIRONMENTAL 1.5 MILLIOHM MAX
    - BODY TO BRAID - GOLD PLATED INITIAL 1.5 MILLIOHM MAX, AFTER ENVIRONMENTAL NOT APPLICABLE
  - CORONA LEVEL: 190 VOLTS MINIMUM AT 1 GHZ
  - INSERTION LOSS: 0.1 DB MAX AT 1 GHZ
  - RF LEAKAGE: -60 DB AT 2.5 GHZ
  - RF HIGH POTENTIAL WITHSTANDING VOLTAGE: 400 VRMS AT 4 AND 7 MHZ
- MECHANICAL:
  - ENGAGE/DISENGAGE FORCE: 8.0 LBS MAX ENGAGEMENT, 1.4 LBS MIN DISENGAGEMENT
  - CONTACT RETENTION FORCE: 2.0 LBS MIN AXIAL FORCE
  - CONTACT RETENTION TORQUE: NOT APPLICABLE
  - COUPLING MECHANISM RETENTION: NOT APPLICABLE
  - CABLE ACCEPTABILITY: RG 178/U, RG 196/U
  - CABLE HEX CRIMP SIZE: .105 HEX
  - CABLE RETENTION: 7.0 LBS
  - DURABILITY: 500 CYCLES MIN
- ENVIRONMENTAL:
  - (MEETS OR EXCEEDS THE APPLICABLE PARAGRAPH OF MIL-C-39012)
  - THERMAL SHOCK: MIL-STD-202, METHOD 107, CONDITION C, EXCEPT -55 DEG C TO 155 DEG C
  - OPERATING TEMPERATURE: -55 DEG C TO 155 DEG C
  - CORROSION: MIL-STD-202, METHOD 101, CONDITION B
  - SHOCK: MIL-STD-202, METHOD 213, CONDITION B
  - VIBRATION: MIL-STD-202, METHOD 204, CONDITION D
  - MOISTURE: MIL-STD-202, METHOD 106



CABLE STRIP DIMENSIONS  
4:1

CUSTOMER DRAWING  
THIS DRAWING TO BE INTERPRETED PER ANSI Y 14.5M - 1982  
"µSTATION"  
COMPANY CONFIDENTIAL

TOLERANCE UNLESS OTHERWISE SPECIFIED	DRAWN BY RJB	DATE 11-4-98		<small>Coax Connectivity Solutions 299 Johnson Ave. Ste. 100 Worcester, MA 02091 1-800-287-8252</small>
DECIMALS	CHECKED BY	DATE		TITLE ASSEMBLY JACK STRAIGHT CABLED BULKHEAD, MMCX RG178
.XX	APPROVED BY RJB	DATE 12-21-98	CODE NO.	DRAWING NO. C - 135-3302-401/410
.XXX	APPROVED BY	DATE	SCALE 20:1	U/M INCH
MATL	RELEASE DATE		SHEET 2 OF 2	