

Excellent Integrated System Limited

Stocking Distributor

Click to view price, real time Inventory, Delivery & Lifecycle Information:

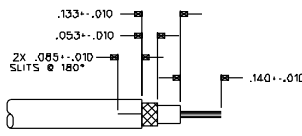
[Bel Fuse Inc.](#)
[142-0202-016](#)

For any questions, you can email us directly:
sales@integrated-circuit.com

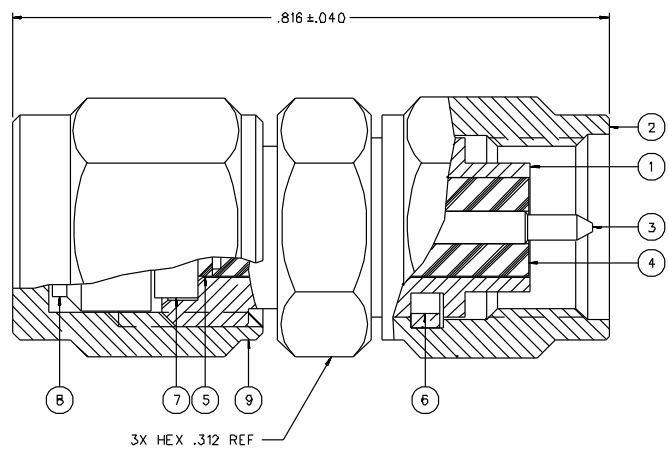
| PART NUMBER | ITEM ① BODY | ITEM ② INTERFACE NUT | ITEM ③ CONTACT | ITEM ④ INSULATOR | ITEM ⑤ INSULATOR | ITEM ⑥ RETENTION SPRING | ITEM ⑦ CLAMP STEM | ITEM ⑧ CLAMP CONE |
|--------------|---------------------------------------------------------------------------------------|---------------------------------------------------------------------------------------|---------------------------------------------------------------------------------------|---------------------|---------------------|------------------------------|---------------------------------------------------------------------------------------|---------------------------------------------------------------------------------------|
| 142-D202-011 | BRASS GOLD PL .00001 MIN OVER NICKEL PL .00005 MIN OVER COPPER PL .00005 MIN | BRASS GOLD PL .00001 MIN OVER NICKEL PL .00005 MIN OVER COPPER PL .00005 MIN | BRASS GOLD PL .00003 MIN OVER NICKEL PL .00005 MIN OVER COPPER PL .00005 MIN | TEFZEL | TEFLON | BERYLLIUM COPPER UNPLATED | BRASS GOLD PL .00001 MIN OVER NICKEL PL .00005 MIN OVER COPPER PL .00005 MIN | BRASS GOLD PL .00001 MIN OVER NICKEL PL .00005 MIN OVER COPPER PL .00005 MIN |
| 142-D202-016 | BRASS NICKEL PL .0001 MIN OVER COPPER PL .00005 MIN | BRASS NICKEL PL .0001 MIN OVER COPPER PL .00005 MIN | BRASS GOLD PL .00003 MIN OVER NICKEL PL .00005 MIN OVER COPPER PL .00005 MIN | TEFZEL | TEFLON | BERYLLIUM COPPER UNPLATED | BRASS NICKEL PL .0001 MIN OVER COPPER PL .00005 MIN | BRASS NICKEL PL .0001 MIN OVER COPPER PL .00005 MIN |

| | | | |
|-------------------------------------|--------|--------|----------------------|
| DRAWING NO. C - 142-0202-011/020 | | | |
| 0 REVISIONS | | | |
| ENGINEERING RELEASE | | | |
| 1 | 3-1-91 | R H | 3-25-91 EGD 40283 |

| PART NUMBER | ITEM ⑨ CLAMP NUT |
|--------------|---------------------------------------------------------------------------------------|
| 142-D202-011 | BRASS GOLD PL .00001 MIN OVER NICKEL PL .00005 MIN OVER COPPER PL .00005 MIN |
| 142-D202-016 | BRASS NICKEL PL .0001 MIN OVER COPPER PL .00005 MIN |



CABLE STRIP DIMENSIONS
4:1



NOTES:

1. SPECIFICATIONS:

IMPEDANCE: 50 OHMS
 FREQUENCY RANGE: 0-12.4 GHz
 VSWR: 1.20±.025 F MAX (F IN GHz)
 WORKING VOLTAGE: 170 VRMS MAX AT SEA LEVEL
 DIELECTRIC WITHSTANDING VOLTAGE: 500 VRMS MIN AT SEA LEVEL
 INSULATION RESISTANCE: 5000 MEGOHM MIN
 CONTACT RESISTANCE:
 CENTER CONTACT - INITIAL 3.0 MILLIOHM MAX, AFTER ENVIRONMENTAL 4.0 MILLIOHM MAX
 OUTER CONDUCTOR - INITIAL 2.0 MILLIOHM MAX, AFTER ENVIRONMENTAL NOT APPLICABLE
 BODY TO CABLE - 0.5 MILLIOHM MAX (GOLD PLATED)
 5.0 MILLIOHM MAX (NICKEL PLATED)
 CORONA LEVEL: 125 VOLTS MIN AT 70,000 FEET
 INSERTION LOSS: .06 / F dB MAX (F IN GHz) AT 6 GHz
 RF LEAKAGE: -60 DB MIN AT 2.5 GHz
 RF HIGH POTENTIAL WITHSTANDING VOLTAGE: 335 VRMS MIN AT 4 AND 7 MHz

MECHANICAL:

ENGAGE/DISENGAGE TORQUE: 2 INCH-POUNDS MAX
 MATING TORQUE: 7-10 INCH POUNDS
 COUPLING PROOF TORQUE: 15 INCH-POUNDS MIN
 COUPLING NUT RETENTION: 60 LBS MIN
 CONTACT RETENTION: 6 LBS MIN
 CABLE ACCEPTABILITY: RG 178RG 196/U
 CABLE HEX CRIMP SIZE: NOT APPLICABLE
 CABLE RETENTION: 10 LBS MIN AXIAL FORCE
 DURABILITY: 500 CYCLES MIN

ENVIRONMENTAL:

(MEETS OR EXCEEDS THE APPLICABLE PARAGRAPH OF MIL-C-39012)
 THERMAL SHOCK: MIL-STD-202, METHOD 107, CONDITION B, EXCEPT -85 DEG C HIGH TEMP.
 OPERATING TEMPERATURE: -65 DEG C TO 165 DEG C
 CORROSION: MIL-STD-202, METHOD 101, CONDITION B
 SHOCK: MIL-STD-202, METHOD 213, CONDITION I
 VIBRATION: MIL-STD-202, METHOD 204, CONDITION D
 MOISTURE RESISTANCE: MIL-STD-202, METHOD 106

CUSTOMER DRAWING

THIS DRAWING TO BE INTERPRETED PER ANSI Y 14.5M - 1982

"μSTATION"

COMPANY CONFIDENTIAL

| | | | |
|--------------------------------------|--------------------|-----------------|-----------------------------------------------------------------------------------------------------------------------|
| TOLERANCE UNLESS OTHERWISE SPECIFIED | DRAWN BY TAK | DATE 2-22-91 | <small>Crh Connectivity Solutions 299 Johnson Ave. Ste. 100 Waukegan, IL 60091 1-800-247-8226</small> |
| DECIMALS: .XX mm | CHECKED BY | DATE | |
| XXX | APPROVED BY TAK | DATE 3-21-91 | TITLE PLUG ASSEMBLY STRAIGHT CABLED SMA, RG 178 |
| MATL | APPROVED BY RJB | DATE 3-21-91 | CODE NO. |
| FINISH | RELEASE DATE | 3-25-91 | DRAWING NO. C - 142-0202-011/020 |
| | | | SCALE 10:1 U/N INCH SHEET 2 OF 2 |