

## Excellent Integrated System Limited

Stocking Distributor

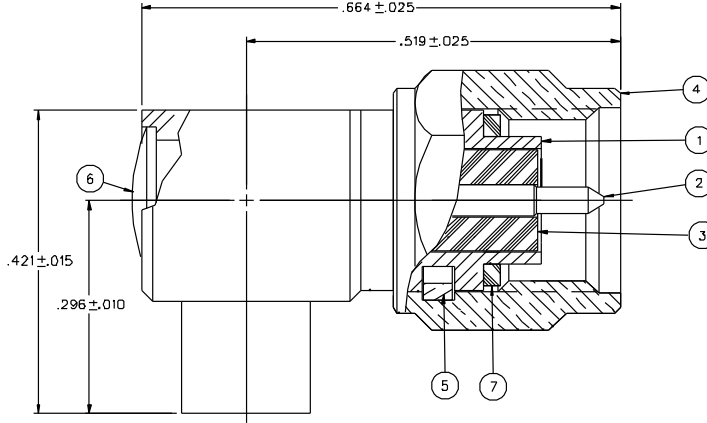
Click to view price, real time Inventory, Delivery & Lifecycle Information:

[Bel Fuse Inc.](#)  
[142-0694-106](#)

For any questions, you can email us directly:  
[sales@integrated-circuit.com](mailto:sales@integrated-circuit.com)

PART NUMBER	ITEM-1 BODY	ITEM-2 CONTACT	ITEM-3 INSULATOR	ITEM-4 HEX NUT	ITEM-5 RETENTION SPRING	ITEM-6 END CAP	ITEM-7 GASKET
142-DB94-101	BRASS GOLD PL .00001 MIN OVER NICKEL PL .00005 MIN OVER COPPER PL .00005 MIN	BRASS GOLD PL .00005 MIN OVER NICKEL PL .00005 MIN OVER COPPER PL .00005 MIN	TEFLON	BRASS GOLD PL .00001 MIN OVER NICKEL PL .00005 MIN OVER COPPER PL .00005 MIN	BERYLLIUM COPPER UNPLATED	BRASS GOLD PL .00001 MIN OVER NICKEL PL .00005 MIN OVER COPPER PL .00005 MIN	NONE
142-DB94-103	BRASS GOLD PL .00001 MIN OVER NICKEL PL .00005 MIN OVER COPPER PL .00005 MIN	BRASS GOLD PL .00005 MIN OVER NICKEL PL .00005 MIN OVER COPPER PL .00005 MIN	TEFLON	BRASS GOLD PL .00001 MIN OVER NICKEL PL .00005 MIN OVER COPPER PL .00005 MIN	BERYLLIUM COPPER UNPLATED	BRASS GOLD PL .00001 MIN OVER NICKEL PL .00005 MIN OVER COPPER PL .00005 MIN	SILICONE RUBBER
142-DB94-106	BRASS NICKEL PL .0001 MIN OVER COPPER PL .00005 MIN	BRASS GOLD PL .00005 MIN OVER NICKEL PL .00005 MIN OVER COPPER PL .00005 MIN	TEFLON	BRASS NICKEL PL .0001 MIN OVER COPPER PL .00005 MIN	BERYLLIUM COPPER UNPLATED	BRASS NICKEL PL .0001 MIN OVER COPPER PL .00005 MIN	NONE

DRAWING NO. C - 142-0694-101/110	
0	REVISIONS
ENGINEERING RELEASE	
1	6-27-97 R 1 11/11/97 10/17/97 ECON 44774
ADDED: P/N 142-DB94-103, ITEM 7	
REVISION NUMBER FOLLOWED BY AN ALPHABETIC CHARACTER INDICATES DRAWING CLASSIFICATION OR PART REVISION ADDITION ONLY.	
10	10-26-99 R 1 11/11/99 11/4/99 ECON 46779
UPDATED TO 1 PC BODY DESIGN	
2	1-13-00 R 1 11/11/00 1/13/00 ECON 46788

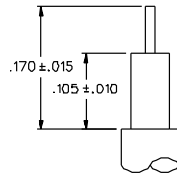


NOTES:  
1. SPECIFICATIONS:

IMPEDANCE: 50 OHMS  
 FREQUENCY RANGE: 0-18 GHZ  
 VSWR: 1.15-0.5F MAX (0-12.4 GHZ) (F IN GHZ)  
 1.15-0.4F MAX (12.4-18 GHZ) (F IN GHZ)  
 WORKING VOLTAGE: 500 VRMS MAX AT SEA LEVEL  
 DIELECTRIC WITHSTANDING VOLTAGE: 1500 VRMS MIN AT SEA LEVEL  
 INSULATION RESISTANCE: 5000 MEGOHM MIN  
 CONTACT RESISTANCE:  
 CENTER CONTACT - INITIAL 4.0 MILLIOHM MAX, AFTER ENVIRONMENTAL 5.0 MILLIOHM MAX  
 OUTER CONDUCTOR - INITIAL 2.0 MILLIOHM MAX AFTER ENVIRONMENTAL NOT APPLICABLE  
 BODY TO CABLE - 0.5 MILLIOHM MAX (GOLD PLATED), 5.0 MILLIOHM MAX (NICKEL PLATED)  
 CORONA LEVEL: 375 VOLTS MIN AT 70,000 FEET  
 INSERTION LOSS: .05V/F (F IN GHZ) AT 10 GHZ  
 RF LEAKAGE: -90 DB MIN AT 2.5 GHZ  
 RF HIGH POTENTIAL WITHSTANDING VOLTAGE: 1000 VRMS MIN AT 4 AND 7 MHZ

MECHANICAL:  
 ENGAGE/DISENGAGE TORQUE: 2 INCH-POUNDS MAX  
 MATING TORQUE: 7-10 INCH POUNDS  
 COUPLING PROOF TORQUE: 15 INCH-POUNDS MIN  
 COUPLING NUT RETENTION: 60 LBS MIN  
 CONTACT RETENTION: 6 LBS MIN  
 CABLE ACCEPTABILITY: RG 402/U  
 CABLE HEX CRIMP SIZE: NOT APPLICABLE  
 CABLE RETENTION: 60 LBS MIN AXIAL FORCE

DURABILITY: 500 CYCLES MIN  
 ENVIRONMENTAL:  
 (MEETS OR EXCEEDS THE APPLICABLE PARAGRAPH OF MIL-C-39012)  
 THERMAL SHOCK: MIL-STD-202, METHOD 107, CONDITION B, EXCEPT -115 DEG C HIGH TEMP  
 OPERATING TEMPERATURE: -65 DEG C TO 165 DEG C  
 CORROSION: MIL-STD-202, METHOD 101, CONDITION B  
 SHOCK: MIL-STD-202, METHOD 213, CONDITION I  
 VIBRATION: MIL-STD-202, METHOD 204, CONDITION D  
 MOISTURE RESISTANCE: MIL-STD-202, METHOD 106



CABLE STRIP DIMENSIONS

CUSTOMER DRAWING  
 THIS DRAWING TO BE INTERPRETED PER ANSI Y 14.5M - 1982  
 "μSTATION"  
 COMPANY CONFIDENTIAL

TOLERANCE UNLESS OTHERWISE SPECIFIED	DRAWN BY SWC	DATE 4-7-97	 <small>40th Anniversary</small> <small>200 Johnson Ave. Ste. 100        Worcester, MA 01093        1-800-247-8226</small>
DECIMALS _____ mm	CHECKED BY SWC	DATE 7-7-97	
.XXX _____	APPROVED BY TAK	DATE 7-7-97	TITLE PLUG ASSEMBLY, RA CABLED SMA, RG 402
NATL _____	APPROVED BY RJJB	DATE 7-7-97	CODE NO. _____ DRAWING NO. C - 142-0694-101/110
FINSH _____	RELEASE DATE 7-16-97		SCALE 10:1 U/M INCH SHEET 2 OF 2