

Excellent Integrated System Limited

Stocking Distributor

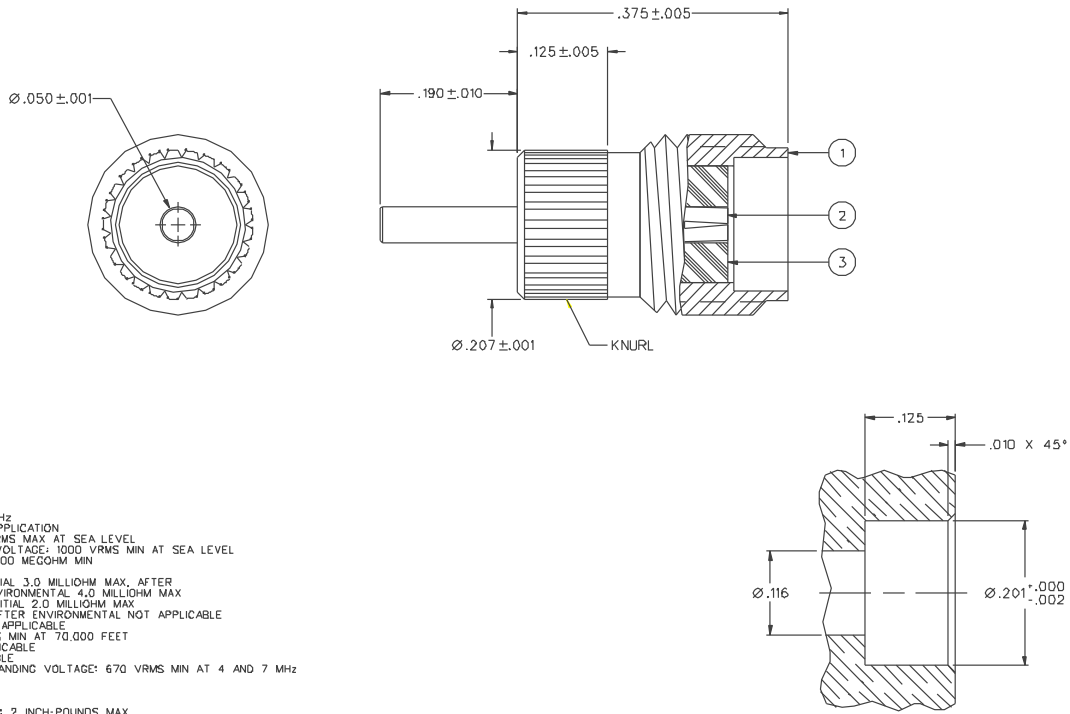
Click to view price, real time Inventory, Delivery & Lifecycle Information:

[Bel Fuse Inc.](#)
[142-1721-021](#)

For any questions, you can email us directly:
sales@integrated-circuit.com

| PART NUMBER | ITEM ① | ITEM ② | ITEM ③ |
|--------------|--|--|---------------------|
| 142-1721-021 | BRASS GOLD PL .00001 MIN OVER NICKEL PL .0001 MIN OVER COPPER PL .00005 MIN | BERYLLIUM COPPER GOLD PL .00005 MIN OVER NICKEL PL .00005 MIN OVER COPPER PL .00005 MIN | INSULATOR TEFLON |
| 142-1721-026 | BRASS NICKEL PL .0001 MIN OVER COPPER PL .00005 MIN | BERYLLIUM COPPER GOLD PL .00005 MIN OVER NICKEL PL .00005 MIN OVER COPPER PL .00005 MIN | TEFLON |

| | |
|-----------------------------------|------------------------------|
| DRAWING NO. C-142-1721-021/030 | |
| 0 | REVISIONS |
| ENGINEERING RELEASE | |
| 1 | 6-24-98 RJK/TAK ECN 45626 |



NOTES:

1. SPECIFICATIONS:

- IMPEDANCE: 50 OHMS
- FREQUENCY RANGE: 0-18 GHz
- VSWR: DEPENDANT UPON APPLICATION
- WORKING VOLTAGE: 335 VRMS MAX AT SEA LEVEL
- DIELECTRIC WITHSTANDING VOLTAGE: 1000 VRMS MIN AT SEA LEVEL
- INSULATION RESISTANCE: 5000 MEGOHM MIN
- CONTACT RESISTANCE:
 - CENTER CONTACT - INITIAL 3.0 MILLIOHM MAX, AFTER ENVIRONMENTAL 4.0 MILLIOHM MAX
 - OUTER CONDUCTOR - INITIAL 2.0 MILLIOHM MAX AFTER ENVIRONMENTAL NOT APPLICABLE
- BRAID TO BODY - NOT APPLICABLE
- CORONA LEVEL: 250 VOLTS MIN AT 70,000 FEET
- INSERTION LOSS: NOT APPLICABLE
- RF LEAKAGE: NOT APPLICABLE
- RF HIGH POTENTIAL WITHSTANDING VOLTAGE: 670 VRMS MIN AT 4 AND 7 MHZ
- MECHANICAL:
 - ENGAGE/DISENGAGE TORQUE: 2 INCH-POUNDS MAX
 - MATING TORQUE: 7-10 INCH POUNDS
 - COUPLING PROOF TORQUE: NOT APPLICABLE
 - COUPLING NUT RETENTION: NOT APPLICABLE
 - CONTACT RETENTION: 6 LBS MIN AXIAL FORCE 4 IN-OZ RADIAL TORQUE
 - CABLE ACCEPTABILITY: NOT APPLICABLE
 - CABLE HEX CRIMP SIZE: NOT APPLICABLE
 - CABLE RETENTION: NOT APPLICABLE
 - DURABILITY: 500 CYCLES MIN
- ENVIRONMENTAL:
 - (MEETS OR EXCEEDS THE APPLICABLE PARAGRAPH OF MIL-C-39012)
 - THERMAL SHOCK: MIL-STD-202, METHOD 107, CONDITION B
 - OPERATING TEMPERATURE: -65 DEG C TO 165 DEG C
 - CORROSION: MIL-STD-202, METHOD 101, CONDITION B
 - SHOCK: MIL-STD-202, METHOD 213, CONDITION I
 - VIBRATION: MIL-STD-202, METHOD 204, CONDITION D
 - MOISTURE RESISTANCE: MIL-STD-202, METHOD 106

CUSTOMER DRAWING

THIS DRAWING TO BE INTERPRETED PER ANSI Y 14.5M - 1982

COMPANY CONFIDENTIAL

| | | | |
|--------------------------------------|--------------------|-----------------|--|
| TOLERANCE UNLESS OTHERWISE SPECIFIED | DRAWN BY JRK | DATE 4-24-98 | TITLE SMA JACK ASSEMBLY, KNURL MOUNT .050" DIAMETER CONTACT |
| DECIMALS | CHECKED BY JRK | DATE 7-6-98 | |
| .XXX REF | APPROVED BY TAK | DATE 7-6-98 | CODE NO. DRAWING NO. C-142-1721-021/030 |
| MATL | APPROVED BY RJB | DATE 7-6-98 | |
| FINISH | RELEASE DATE | | SCALE 10:1 U/M INCH SHEET 2 OF 2 |