

Excellent Integrated System Limited

Stocking Distributor

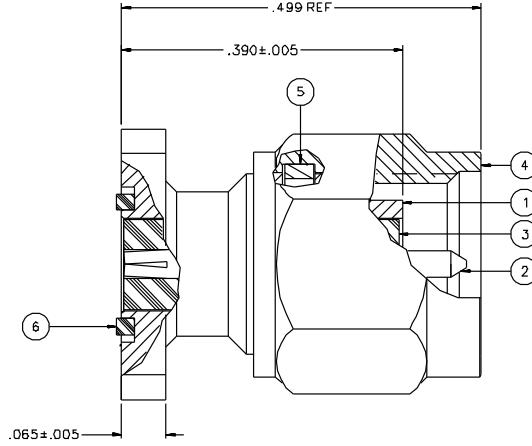
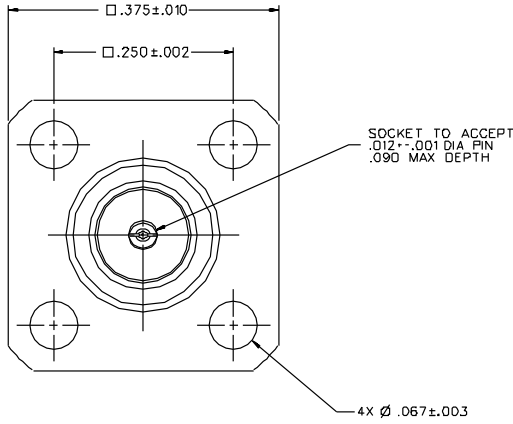
Click to view price, real time Inventory, Delivery & Lifecycle Information:

[Bel Fuse Inc.](#)
[142-1801-551](#)

For any questions, you can email us directly:
sales@integrated-circuit.com

PART NUMBER	ITEM ① BODY	ITEM ② CONTACT	ITEM ③ INSULATOR	ITEM ④ COUPLING NUT	ITEM ⑤ RETENTION SPRING	ITEM ⑥ EMI CASKET
142-1801-551	BRASS GOLD PL .00001 MIN OVER NICKEL PL .00005 MIN OVER COPPER PL .00005 MIN	BERYLLIUM COPPER GOLD PL .00005 MIN OVER NICKEL PL .00005 MIN OVER COPPER PL .00005 MIN	TEFLON	BRASS GOLD PL .00001 MIN OVER NICKEL PL .00005 MIN OVER COPPER PL .00005 MIN	BERYLLIUM COPPER UNPLATED	CONDUCTIVE SILICONE PER MIL-C-83528, TYPE M
142-1801-556	BRASS NICKEL PL .0001 MIN OVER COPPER PL .00005 MIN	BERYLLIUM COPPER GOLD PL .00005 MIN OVER NICKEL PL .00005 MIN OVER COPPER PL .00005 MIN	TEFLON	BRASS NICKEL PL .0001 MIN OVER COPPER PL .00005 MIN	BERYLLIUM COPPER UNPLATED	CONDUCTIVE SILICONE PER MIL-C-83528, TYPE M

DRAWING NO. C - 142-1801-551/560	
0	REVISIONS
ENGINEERING RELEASE	
1	8-21-95 R H JRB ECN 43659
VERSION UPDATE	
<small> * REVISION NUMBER FOLLOWED BY AN ALPHA CHARACTER INDICATES DRAWING CHANGE * * CAUTION ON PART NUMBER ADDITION ONLY * </small>	
10	4-18-02 R H JRB 5-14-02 ECN 48566



NOTES:

1. SPECIFICATIONS:

- IMPEDANCE: 50 OHMS
 - FREQUENCY RANGE: 0-26.5 GHz
 - VSWR: DEPENDANT UPON APPLICATION, TYPICALLY < 1.1 * .01F (F IN GHz)
 - WORKING VOLTAGE: 335 VRMS MAX AT SEA LEVEL
 - DIELECTRIC WITHSTANDING VOLTAGE: 1000 VRMS MIN AT SEA LEVEL
 - INSULATION RESISTANCE: 5000 MEGOHM MIN
 - CONTACT RESISTANCE:
 - CENTER CONTACT - INITIAL 6.0 MILLIOHM MAX, AFTER ENVIRONMENTAL 8.0 MILLIOHM MAX
 - OUTER CONDUCTOR - INITIAL 2.0 MILLIOHM MAX AFTER ENVIRONMENTAL NOT APPLICABLE
 - BRAID TO BODY - NOT APPLICABLE
 - CORONA LEVEL: 250 VOLTS MIN AT 70,000 FEET
 - INSERTION LOSS: DEPENDANT UPON APPLICATION, TYPICALLY < √.06F IF N GHz
 - RF LEAKAGE: -80 dB MIN AT 2.5 GHz
 - RF HIGH POTENTIAL WITHSTANDING VOLTAGE: 670 VRMS MIN AT 4 AND 7 MHz
- MECHANICAL:
- ENGAGE/DISENGAGE TORQUE: 2 INCH-POUNDS MAX
 - MATING TORQUE: 7-10 INCH POUNDS
 - COUPLING PROOF TORQUE: 15 INCH-POUNDS MIN
 - COUPLING NUT RETENTION: 60 LBS MIN
 - CONTACT RETENTION: 6 LBS MIN AXIAL FORCE
 - CABLE ACCEPTABILITY: NOT APPLICABLE
 - CABLE HEX CRIMP SIZE: NOT APPLICABLE
 - CABLE RETENTION: NOT APPLICABLE
 - DURABILITY: 500 CYCLES MIN
- ENVIRONMENTAL:
- (MEETS OR EXCEEDS THE APPLICABLE PARAGRAPH OF MIL-PRF-39012)
- THERMAL SHOCK: MIL-STD-202, METHOD 107, CONDITION B
 - OPERATING TEMPERATURE: -65 DEG C TO 165 DEG C
 - CORROSION: MIL-STD-202, METHOD 101, CONDITION B
 - SHOCK: MIL-STD-202, METHOD 213, CONDITION I
 - VIBRATION: MIL-STD-202, METHOD 204, CONDITION D
 - MOISTURE RESISTANCE: MIL-STD-202, METHOD 106

CUSTOMER DRAWING

THIS DRAWING TO BE INTERPRETED PER ANSI Y 14.5M - 1982

"μSTATION"

COMPANY CONFIDENTIAL

TOLERANCE UNLESS OTHERWISE SPECIFIED	DRAWN BY JRK	DATE 5-31-95	 <small> Conn Connectivity Solutions 299 Johnson Ave. Ste. 100 Wadena, MN 56601 1-800-247-8256 </small>
DECIMALS: .XX	CHECKED BY JRK	DATE 8-23-95	
MATERIAL	APPROVED BY TAK	DATE 8-24-95	TITLE ASSY, PLUG, .375 SQ FLANGE MOUNT, FLANGE SOCKET .012, FIELD REPLACEABLE SMA
FINISH	APPROVED BY RJB	DATE 8-25-95	CODE NO.
	RELEASE DATE 8-29-95		DRAWING NO. C - 142-1801-551/560
		SCALE 10:1	U/M INCH
			SHEET 2 OF 2