

## Excellent Integrated System Limited

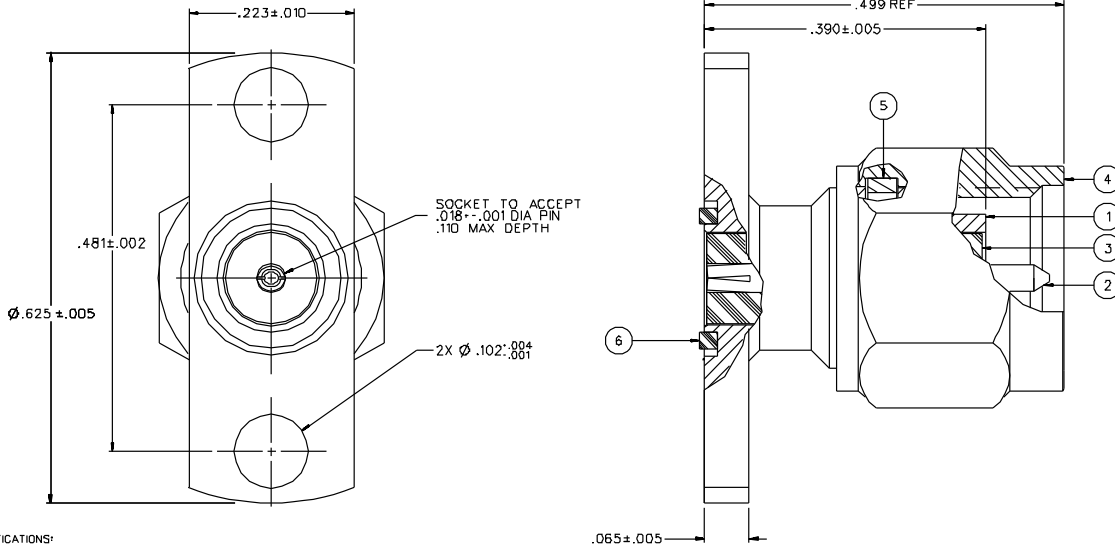
Stocking Distributor

Click to view price, real time Inventory, Delivery & Lifecycle Information:

[Bel Fuse Inc.](#)  
[142-1801-621](#)

For any questions, you can email us directly:  
[sales@integrated-circuit.com](mailto:sales@integrated-circuit.com)

PART NUMBER	ITEM ① BODY	ITEM ② CONTACT	ITEM ③ INSULATOR	ITEM ④ COUPLING NUT	ITEM ⑤ RETENTION SPRING	ITEM ⑥ EMI CASKET	DRAWING NO.
142-1801-621	BRASS GOLD PL .00001 MIN OVER NICKEL PL .00005 MIN OVER COPPER PL .00005 MIN	BERYLLIUM COPPER GOLD PL .00005 MIN OVER NICKEL PL .00005 MIN OVER COPPER PL .00005 MIN	TEFLON	BRASS GOLD PL .00001 MIN OVER NICKEL PL .00005 MIN OVER COPPER PL .00005 MIN	BERYLLIUM COPPER UNPLATED	CONDUCTIVE SILICONE PER MIL-C-8352B, TYPE M	C - 142-1801-621/630
142-1801-626	BRASS NICKEL PL .0001 MIN OVER COPPER PL .00005 MIN	BERYLLIUM COPPER GOLD PL .00005 MIN OVER NICKEL PL .00005 MIN OVER COPPER PL .00005 MIN	TEFLON	BRASS NICKEL PL .0001 MIN OVER COPPER PL .00005 MIN	BERYLLIUM COPPER UNPLATED	CONDUCTIVE SILICONE PER MIL-C-8352B, TYPE M	0 REVISIONS ENGINEERING RELEASE I 8-22-95 R H M J J VERSION UPDATE 8-22-95 R H M J J ECN 43644 10 4-26-02 R H M J J 5-14-02 ECN 48571



NOTES:

I. SPECIFICATIONS:

IMPEDANCE: 50 OHMS  
 FREQUENCY RANGE: 0-26.5 GHz  
 VSWR: DEPENDANT UPON APPLICATION, TYPICALLY < 1.1 : .01F (F IN GHz)  
 WORKING VOLTAGE: 335 VRMS MAX AT SEA LEVEL  
 DIELECTRIC WITHSTANDING VOLTAGE: 1000 VRMS MIN AT SEA LEVEL  
 INSULATION RESISTANCE: 5000 MEGOHM MIN  
 CONTACT RESISTANCE:  
 CENTER CONTACT - INITIAL 6.0 MILLIOHM MAX, AFTER ENVIRONMENTAL 6.0 MILLIOHM MAX  
 OUTER CONDUCTOR - INITIAL 2.0 MILLIOHM MAX AFTER ENVIRONMENTAL NOT APPLICABLE  
 BRAID TO BODY - NOT APPLICABLE  
 CORONA LEVEL: 250 VOLTS MIN AT 70,000 FEET  
 INSERTION LOSS: DEPENDANT UPON APPLICATION, TYPICALLY < .06dB IF N GHz  
 RF LEAKAGE: < -80 dB MIN AT 2.5 GHz  
 RF HIGH POTENTIAL WITHSTANDING VOLTAGE: 670 VRMS MIN AT 4 AND 7 MHz

MECHANICAL:

ENGAGE/DISENGAGE TORQUE: 2 INCH-POUNDS MAX  
 MATING TORQUE: 7-10 INCH POUNDS  
 COUPLING PROOF TORQUE: 15 INCH-POUNDS MIN  
 COUPLING NUT RETENTION: 60 LBS MIN  
 CONTACT RETENTION: 6 LBS MIN AXIAL FORCE  
 CABLE ACCEPTABILITY: NOT APPLICABLE  
 CABLE HEX CRIMP SIZE: NOT APPLICABLE  
 CABLE RETENTION: NOT APPLICABLE  
 DURABILITY: 500 CYCLES MIN

ENVIRONMENTAL:

(MEETS OR EXCEEDS THE APPLICABLE PARAGRAPH OF MIL-PRF-39012)  
 THERMAL SHOCK: MIL-STD-202, METHOD 107, CONDITION B  
 OPERATING TEMPERATURE: -65 DEG C TO 165 DEG C  
 CORROSION: MIL-STD-202, METHOD 101, CONDITION B  
 SHOCK: MIL-STD-202, METHOD 213, CONDITION I  
 VIBRATION: MIL-STD-202, METHOD 204, CONDITION D  
 MOISTURE RESISTANCE: MIL-STD-202, METHOD 106

CUSTOMER DRAWING

THIS DRAWING TO BE INTERPRETED PER ANSI Y 14.5M - 1982

"µSTATION"

COMPANY CONFIDENTIAL

TOLERANCE UNLESS OTHERWISE SPECIFIED	DRAWN BY JRK	DATE 5-31-95	 <small>Smith Connectivity Solutions 299 Johnson Ave. Ste. 100 Warren, MI 48093 1-800-247-6256</small>
DECIMALS: .XX	CHECKED BY JRK	DATE 8-23-95	
XXX	APPROVED BY TAJ	DATE 8-24-95	
MATL	APPROVED BY RAJ	DATE 8-25-95	TITLE ASSY, PLUG, 2 HOLE FLANGE MOUNT, FLANGE SOCKET .018, FIELD REPLACEABLE SMA
FINISH	RELEASE DATE 8-29-95	CODE NO.	DRAWING NO. C - 142-1801-621/630
SCALE 1:1			U/M INCH
SHEET 2			OF 2