

Excellent Integrated System Limited

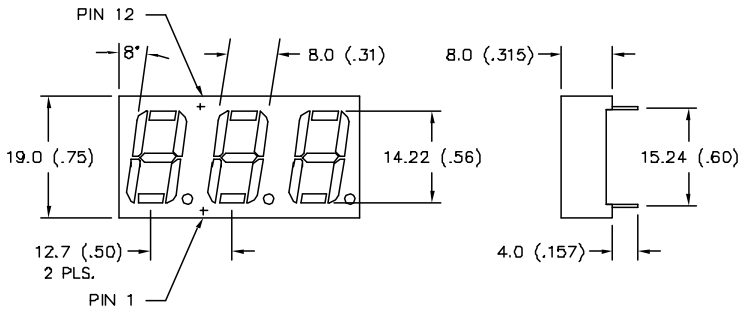
Stocking Distributor

Click to view price, real time Inventory, Delivery & Lifecycle Information:

[Lumex, Inc.](#)
[LDT-M514RI](#)

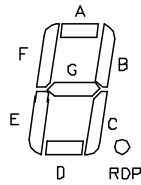
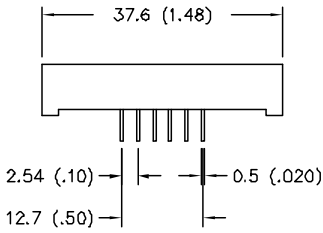
For any questions, you can email us directly:
sales@integrated-circuit.com

DATE	REVISIONS	REV	DRAWING NUMBER LDT-M514RI	REV
------	-----------	-----	------------------------------	-----



ELECTRO-OPTICAL CHARACTERISTICS $T_A=25\text{ }^\circ\text{C}$ $I_f=20\text{mA}$

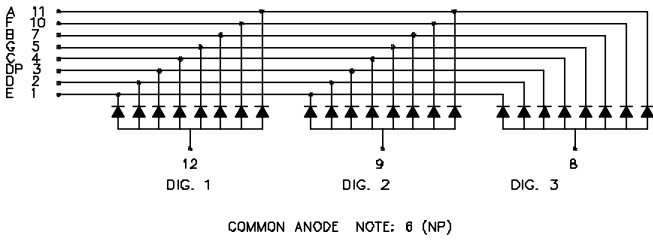
PARAMETER	MIN	TYP	MAX	UNITS	TEST COND
PEAK WAVELENGTH		635 (RED)		nm	
FORWARD VOLTAGE		2.0	2.8	V_f	
REVERSE VOLTAGE	5.0			V_r	$I_f=100\mu\text{A}$
AXIAL INTENSITY		1400		ucd	$I_f=10\text{mA}$
EMITTED COLOR :	RED				
EPOXY SEGMENT :	WHITE				
FONT COLOR :	GRAY				



LIMITS OF SAFE OPERATION PER SEGMENT AT 25°C

PARAMETER	MAX	UNITS
PEAK FORWARD CURRENT*	150	mA
STEADY CURRENT	30	mA
POWER DISSIPATION	105	mW
DERATE FROM 25°C	-1.2	mW/°C
OPERATING, STORAGE TEMP.	-40 TO +85	°C
LEAD SOLDERING TEMP.	+260	°C
2.0mm FROM BODY	3 SEC. MAX	

* $t < 10\mu\text{s}$



LUMEX
OPTO COMPONENTS INC.

292 E. HELLEN ROAD
PALATINE, ILLINOIS 60067
(708) 359-2790

CONFIDENTIAL INFORMATION
THE INFORMATION CONTAINED IN THIS DOCUMENT IS THE PROPERTY OF LUMEX OPTO/COMPONENTS, INC. THE HOLDER OF THIS DOCUMENT SHALL KEEP ALL INFORMATION CONTAINED HEREIN CONFIDENTIAL AND SHALL PROTECT SAME IN WHOLE OR IN PART FROM DISCLOSURE AND DISSEMINATION TO ALL THIRD PARTIES.

DATE: 4-9-96	DWN:	CHK'D:	APPD:
SCALE: N/A			

TRIPLE DIGIT SEVEN SEGMENT DISPLAY
RED, COMMON ANODE

PAGE 1 OF 1	DRAWING NUMBER LDT-M514RI	REV
-------------	------------------------------	-----