

Excellent Integrated System Limited

Stocking Distributor

Click to view price, real time Inventory, Delivery & Lifecycle Information:

[CEL \(California Eastern Laboratories\)](#)
[PS9714-F3](#)

For any questions, you can email us directly:

sales@integrated-circuit.com

PRELIMINARY DATA SHEET

NEC

**HIGH NOISE REDUCTION
 10 Mbps OPEN COLLECTOR OUTPUT TYPE
 5 PIN SOP OPTOCOUPLER**

PS9714

FEATURES

- **HIGH COMMON MODE TRANSIENT IMMUNITY:**
 CMH, CML: ± 20 kV/ μ s TYP
- **HIGH SPEED RESPONSE:**
 10 Mbps
- **HIGH ISOLATION VOLTAGE:**
 BV: 2500 Vr.m.s.
- **OPEN COLLECTOR OUTPUT TYPE**
- **5 PIN SOP (SMALL OUTLINE PACKAGE)**
- **TAPE AND REEL AVAILABLE:**
 PS9714-F3, F4: 3500 Pcs/Reel

DESCRIPTION

The PS9714 is an optically coupled isolator containing a GaAIAs LED on the light emitting diode (input) side and a photodiode and a signal processing circuit on the detector (output) side on one chip. The PS9714 is in a plastic SOP (Small Outline Package) type for high density applications.

APPLICATIONS

- **MEASUREMENT EQUIPMENT**
- **PDP**
- **FACTORY AUTOMATION NETWORK**

ELECTRICAL CHARACTERISTICS (TA = -40 to +85°C unless otherwise specified)

PART NUMBER				PS9714		
SYMBOLS		PARAMETERS	UNITS	MIN	TYP	MAX
Diode	VF	Forward Voltage, IF = 10 mA, TA = 25°C	V	1.4	1.65	1.9
	IR	Reverse Current, VR = 3 V, TA = 25°C	μ A			10
	Ct	Terminal Capacitance, V = 0 V, f = 1 MHz, TA = 25°C	pF		30	
Detector	IOH	High Level Output Current, VCC = VO = 5.5 V, VF = 0.8 V	μ A		2	250
	VOL	Low Level Output Voltage, VCC = 5.5 V, IF = 5 mA, IO = 13 mA	V		0.2	0.6
	ICCH	High Level Supply Current, VCC = 5.5 V, IF = 0 mA	mA		3	8
	ICCL	Low Level Supply Current, VCC = 5.5 V, IF = 10 mA	mA		6.5	11
	IFHL	Threshold Input Current, VCC = 5 V, VO = 0.8 V, RL = 350 Ω	%		2.0	5.0
Coupled	RI-O	Isolation Resistance, Vin-out = 1kVDC, RH = 40 to 60%, TA = 25°C	Ω	10 ¹¹		
	CI-O	Isolation Capacitance, V = 0, f = 1 MHz, TA = 25°C	pF		0.9	
	tPHL	Propagation Delay Time, High \rightarrow Low ¹ , VCC = 5 V, IF = 7.5 mA, RL = 350 Ω	ns			100
					40	75
	tPLH	Propagation Delay Time, Low \rightarrow High ¹ , VCC = 5 V, IF = 7.5 mA, RL = 350 Ω	ns			100
					55	75
	tr	Rise Time, VCC = 5 V, IF = 7.5 mA, RL = 350 Ω	ns		20	
	tf	Fall Time, VCC = 5 V, IF = 7.5 mA, RL = 350 Ω	ns		10	
	PWD	Pulse Width Distortion, VCC = 5 V, IF = 7.5 mA, RL = 350 Ω	ns		30	50
	tPSK	Propagation Skew, VCC = 5 V, IF = 7.5 mA, RL = 350 Ω	ns			60
CMH	Common Mode Transient Immunity at High Level Output ² VCC = 5 V, VCM = 1 kV, TA = 25°C, IF = 0 mA, VO (MIN) = 2 V	kV/ μ s	10	20		
CML	Common Mode Transient Immunity at Low Level Output ² VCC = 5 V, VCM = 1 kV, TA = 25°C, IF = 7.5 mA, VO (MAX) = 0.8 V	kV/ μ s	10	20		

Please see notes on the next page.

PS9714

ABSOLUTE MAXIMUM RATINGS¹

(T_A = 25°C unless otherwise specified)

SYMBOLS	PARAMETERS	UNITS	RATINGS
Diode			
I _F	Forward Current	mA	30
V _R	Reverse Voltage	V	3
Detector			
V _{CC}	Supply Voltage	V	7
V _O	Output Voltage	V	7
I _O	Output Current	mA	25
P _C	Power Dissipation ²	mW	40
BV	Isolation Voltage ³	V _{r.m.s.}	2500
T _A	Operating Ambient Temp.	°C	-40 to +85
T _{STG}	Storage Temperature	°C	-55 to +125

Notes:

- Operation in excess of any one of these parameters may result in permanent damage.
- Applies to output pin V_O and power supply pin V_{CC}.
- AC voltage for 1 minute at T_A = 25 °C, RH = 60 % between input and output.

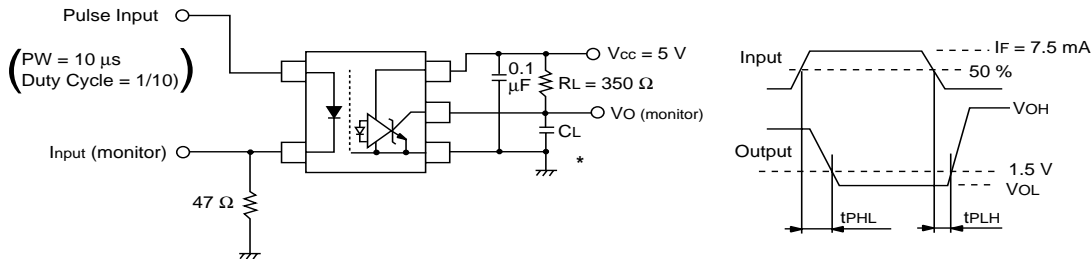
RECOMMENDED OPERATING CONDITIONS

SYMBOLS	PARAMETERS	UNITS	MIN	TYP	MAX
V _{FL}	Low Level Input Voltage	V	0		0.8
I _{FH}	High Level Input Current	mA	6.3		12.5
V _{CC}	Supply Voltage	V	4.5	5	5.5
N	TTL (loads) (R _L = 1kΩ)				5
R _L	Pull-up Resistance	Ω	330		4k

(Continued from previous page.)

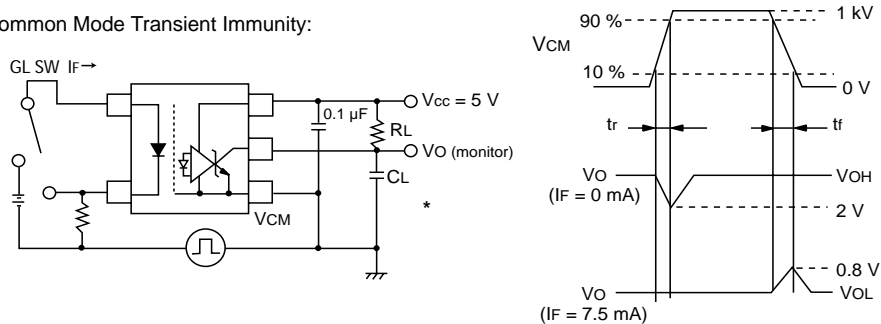
Notes:

- Test Circuit for Propagation Delay Time:



*CL is approximately 15 pF which includes probe and stray wiring capacitance.

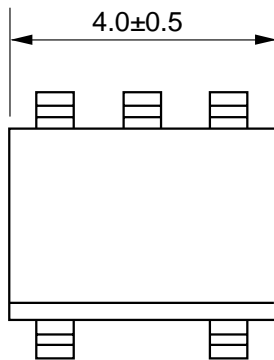
- Test Circuit for Common Mode Transient Immunity:



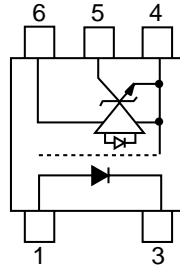
USAGE CAUTIONS

- Protect against static electricity when handling this product.
- Bypass capacitor greater than 0.1 μF is used between V_{CC} and GND near device (lead distance: 10 mm MAX).

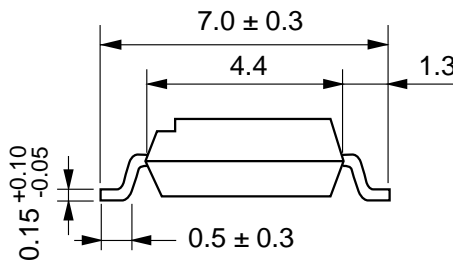
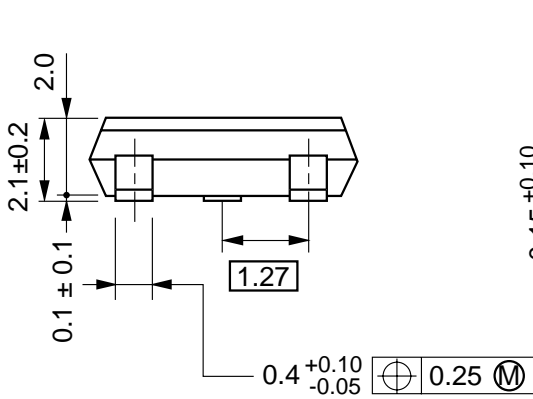
PACKAGE OUTLINE (Units in mm)



PIN CONNECTION
(Top View)



- 1. Anode
- 2. Cathode
- 3. GND
- 4. Vo
- 5. Vcc



Life Support Applications

These NEC products are not intended for use in life support devices, appliances, or systems where the malfunction of these products can reasonably be expected to result in personal injury. The customers of CEL using or selling these products for use in such applications do so at their own risk and agree to fully indemnify CEL for all damages resulting from such improper use or sale.

EXCLUSIVE NORTH AMERICAN AGENT FOR **NEC** RF, MICROWAVE & OPTOELECTRONIC SEMICONDUCTORS

CEL CALIFORNIA EASTERN LABORATORIES • Headquarters • 4590 Patrick Henry Drive • Santa Clara, CA 95054-1817 • (408) 988-3500 • Telex 34-6393 • FAX (408) 988-0279
DATA SUBJECT TO CHANGE WITHOUT NOTICE

Internet: <http://WWW.CEL.COM>

12/13/2001