

Excellent Integrated System Limited

Stocking Distributor

Click to view price, real time Inventory, Delivery & Lifecycle Information:

[Weller](#)
[T0058751710](#)

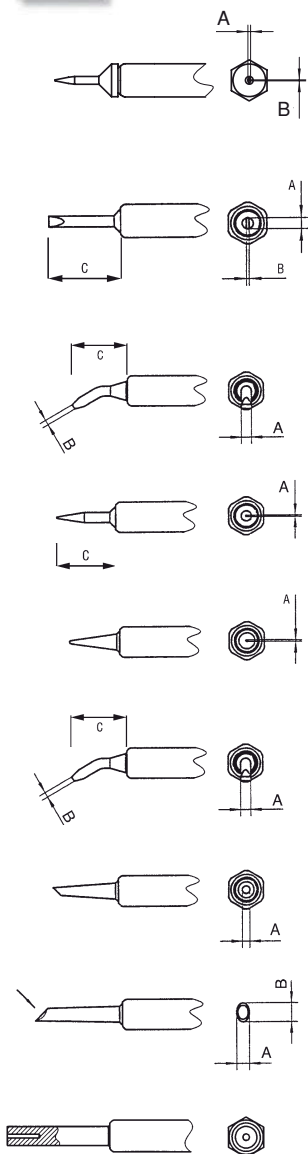
For any questions, you can email us directly:
sales@integrated-circuit.com

Soldering Irons and Tips

Electronically Controlled Low Voltage Soldering Irons



Soldering Tips for WMP



Order No.	Model	Description	Width A	Thickness B	Length C
NT 1SC	NT 1SC	Chisel tip slim	0,4 mm	0,15 mm	14 mm
NT H	NT H	Chisel tip	0,8 mm	0,4 mm	8,4 mm
NT K	NT K	Chisel tip	1,2 mm	0,4 mm	8,4 mm
NT A	NT A	Chisel tip	1,6 mm	0,4 mm	9,5 mm
NT 6	NT 6	Chisel tip	1,6 mm	0,4 mm	7,4 mm
NT B	NT B	Chisel tip	2,4 mm	0,8 mm	7,8 mm
NT C	NT C	Chisel tip	3,2 mm	0,8 mm	8,2 mm
NT D	NT D	Chisel tip	4,0 mm	0,8 mm	8,6 mm
NT AX	NT AX	Chisel Bent	1,6 mm	0,4 mm	8,2 mm
NT 1S	NT 1S	Round tip slim	Ø 0,25 mm		8,5 mm
NT 1	NT 1	Round tip	Ø 0,25 mm		7,4 mm
NT 1X	NT 1X	Round tip bent 45°	Ø 0,4 mm		8,6 mm
NT 4	NT 4	Round tip sloped 45°	Ø 1,2 mm		9,9 mm
NT GW	NT GW	Gull wing	2,0 mm	3,0 mm	13,4 mm
NT MS	NT MS	NT Measuring tip for thermo element Ø 0,5 mm			

Order No.	Description
005 87 517 17	Silicon pad for changing bent NT series tips

005 87 517 10	Tip changing tool for changing straight NT series tips
----------------------	--

