

## Excellent Integrated System Limited

Stocking Distributor

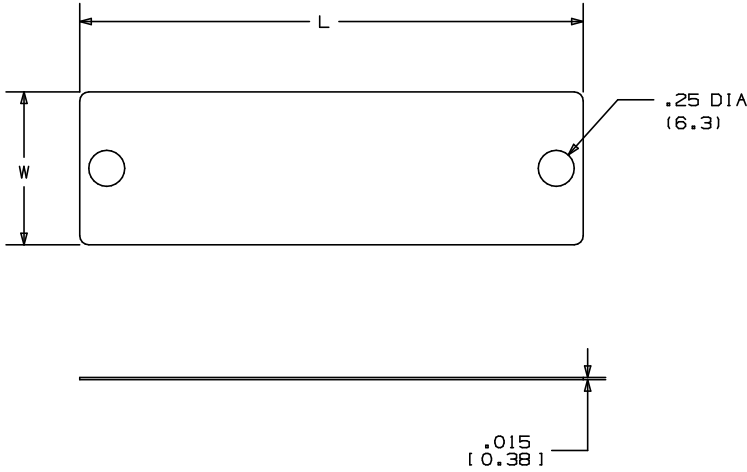
Click to view price, real time Inventory, Delivery & Lifecycle Information:

[Panduit](#)  
[AP350W06-Q0](#)

For any questions, you can email us directly:  
[sales@integrated-circuit.com](mailto:sales@integrated-circuit.com)

THIS COPY IS PROVIDED ON A RESTRICTED BASIS AND IS NOT TO BE USED IN ANY WAY DETRIMENTAL TO THE INTERESTS OF PANDUIT CORP.

PANDUIT PART NO.	PACKAGE QTY.	COLOR	LENGTH "L" ±.02 (.5)	WIDTH "W" ±.02 (.5)
AP350W06-Q2	25	RED	3.50 (88.9)	1.06 (26.9)
AP350W06-Q5	25	GREEN	3.50 (88.9)	1.06 (26.9)
AP350W06-Q0	25	BLACK	3.50 (88.9)	1.06 (26.9)
AP350W06-Q49	25	GOLD	3.50 (88.9)	1.06 (26.9)
AP350W06-Q6	25	DK BLUE	3.50 (88.9)	1.06 (26.9)



NOTES:

- DIMENSIONS IN ( ) ARE IN mm.
- PACKAGING QUANTITY -Q = 25 PCS.
- CUSTOM PERMANENT MARKING AVAILABLE, CONSULT FACTORY.
- GALVANIC REACTION MAY OCCUR BETWEEN STAINLESS STEEL TIES AND ALUMINUM MARKER PLATES IN CERTAIN ENVIRONMENTS CAUSING THE ALUMINUM TO CORRODE.
- UNLESS OTHERWISE SPECIFIED TOLERANCES:  
 .XXX = ±.010 [ .25 ]  
 .XX = ±.02 [ .5 ]

S41110\_02

02	1/06	JAMB	SKB	REMOVED-PART NO'S. AP350W06-Q1, AP350W06-Q3 & AP350W06-Q7 - PARTS ARE OBSOLETE	SS00136	---	---	 TINLEY PARK, ILLINOIS RECTANGULAR 2-HOLE ALUMINUM MARKER PLATES CUSTOMER DRAWING
01	1/06	JAMB	SKB	ADDED ALL PART NO'S. FOR BLACK, BROWN, ORANGE, GOLD, DK BLUE & PURPLE TAGS.	SS00130	---	---	
00	10/00	EJS	SKB	DWG. RELEASED	08768	CCH	JAC	
REV	DATE	BY	CHK	DESCRIPTION	ECN #	PM	CUST	DRAWN BY: EJS CHK'D: SKB SCALE: N/A DRAWING NO.: S41110