



Distributor of Molex Connector Corporation: Excellent Integrated System Limited

Datasheet of 0387291013 - Connector Barrier Block Strip 6 Circuit 0.375" (9.53mm)

Contact us: sales@integrated-circuit.com Website: www.integrated-circuit.com

Excellent Integrated System Limited

Stocking Distributor

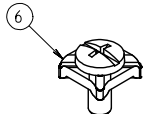
Click to view price, real time Inventory, Delivery & Lifecycle Information:

[Molex Connector Corporation](#)
[0387291013](#)

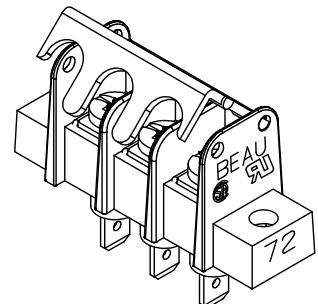
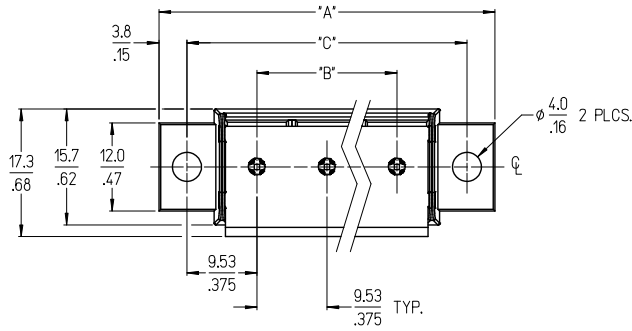
For any questions, you can email us directly:

sales@integrated-circuit.com

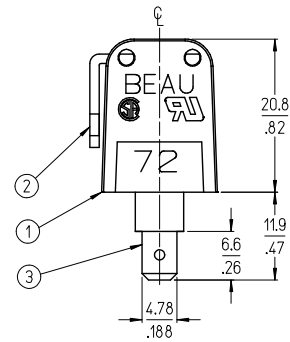
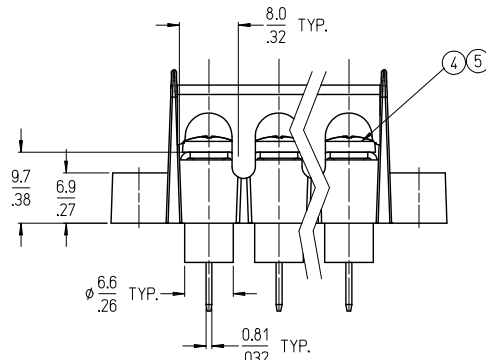
10 9 8 7 6 5 4 3 2 38729



REF. -50 OPT. SCREW
(WHERE APPLICABLE)



3 CIRCUIT SHOWN



NOTES:

1. MATERIAL: SEE TABLE
2. FINISH: SEE TABLE
3. "XX" REFERS TO THE QUANTITY OF CIRCUITS.
4. ALL COMPONENTS ARE ROHS COMPLIANT.

6	XX	SCREW&WASHER, #6-32X.250 PAN, PH/SL (-50 OPT)	STEEL	ZN, CLEAR CHROMATE	ADD P/N 387291662 EC NO: IEC2015-0005 DR: WAINSTONE 20/11/07/01 CHK: B. ARDEN 20/11/07/03 APPR: J. MURPHY 20/11/07/29 DESCRIPTION REV	QUALITY SYMBOLS ▽=0 ▽=0	GENERAL TOLERANCES (UNLESS SPECIFIED)		DIMENSION STYLE		SCALE	DESIGN UNITS	THIRD ANGLE PROJECTION
5	XX	SCREW, #6-32X.250 BHD, PH/SL (-49 OPT)	BRASS	NICKEL PLATE			mm	INCH	MM/IN	2:1	INCH	DRAWN BY C. YORK DATE 2006/08/18 CHECKED BY J. MACNEIL DATE 2006/08/18 APPROVED BY J. MACNEIL DATE 2006/08/18 MATERIAL NO. SEE SHT. 2 TITLE 9.53MM [.375] SR BTS ASY CS W/COVER, INSUL. FT MOLEX INCORPORATED DOCUMENT NO. SD-38729-047 SHEET NO. 1 OF 2	
4	XX	SCREW, #6-32X.250 BHD, PH/SL (STD)	STEEL	ZN, CLEAR CHROMATE			4 PLACES ± .005 ± .005	3 PLACES ± .013 ± .01	2 PLACES ± 0.3 ± .01	1 PLACE ± 0.3 ± .01	DRAFT WHERE APPLICABLE MUST REMAIN WITHIN DIMENSIONS		
3	XX	TERM FT, #6-32	BRASS	TIN PLATE			ANGULAR ± 2°						
2	1	COVER, HINGE	PBT, 30% GF	BLACK									
1	1	INSULATOR, SR BTS CSINSL, MO MTG.	PBT, 30% GF	BLACK									
ITEM	QTY.	DESCRIPTION	MATERIAL	FINISH									

10 9 8 7 6 5 4 3 2 1

10 9 8 7 6 5 4 3 2 38729

NO. OF CIRCUITS	DIM. "A"		DIM. "B"		DIM. "C"		ASSEMBLY MATERIAL NO. (STANDARD)	ASSEMBLY MATERIAL NO. (-49 OPT)	ASSEMBLY MATERIAL NO. (-50 OPT)
	mm	in	mm	in	mm	in			
02	38.2	1.43	9.53	0.375	28.58	1.125	387290781		387290771
03	45.7	1.80	19.05	0.750	38.10	1.500	387290923		387290917
04	55.2	2.18	28.58	1.125	47.63	1.875	387291571	387291572	387290965
05	64.8	2.55	38.10	1.500	57.15	2.250	387290444		387291556
06	74.3	2.93	47.63	1.875	66.68	2.625	387291013		387291015
07	83.8	3.30	57.15	2.250	76.20	3.000			
08	93.3	3.68	66.68	2.625	85.73	3.375	387291070		
09	102.9	4.05	76.20	3.000	95.25	3.750			
10	112.4	4.43	85.73	3.375	104.78	4.125			
11	121.9	4.80	95.25	3.750	114.30	4.500			
12	131.4	5.18	104.78	4.125	123.83	4.875	387291662		
13	141.0	5.55	114.30	4.500	133.35	5.250			
14	150.5	5.93	123.83	4.875	142.88	5.625			
15	160.0	6.30	133.35	5.250	152.40	6.000			
16	169.5	6.68	142.88	5.625	161.93	6.375			

SEE SHEET 1 EC NO: PG2015-0005 DRAWN BY: DRWINSTONE 2014/07/01 CHECKED BY: ARDEN 2014/07/03 APPR: JMACNEIL 2014/07/29 REV	QUALITY SYMBOLS	GENERAL TOLERANCES (UNLESS SPECIFIED)	DIMENSION STYLE	SCALE	DESIGN UNITS	THIRD ANGLE PROJECTION																				
	$\nabla=0$ $\nabla=0$	<table border="1"> <tr><th colspan="2">mm</th><th colspan="2">INCH</th></tr> <tr><td>4 PLACES</td><td>± .---</td><td>± .---</td><td>± .---</td></tr> <tr><td>3 PLACES</td><td>± .---</td><td>± .005</td><td>± .---</td></tr> <tr><td>2 PLACES</td><td>± 0.13</td><td>± .01</td><td>± .---</td></tr> <tr><td>1 PLACE</td><td>± 0.3</td><td>± .---</td><td>± .---</td></tr> </table>	mm		INCH		4 PLACES	± .---	± .---	± .---	3 PLACES	± .---	± .005	± .---	2 PLACES	± 0.13	± .01	± .---	1 PLACE	± 0.3	± .---	± .---	MM/IN	2:1	INCH	
	mm		INCH																							
	4 PLACES	± .---	± .---	± .---																						
3 PLACES	± .---	± .005	± .---																							
2 PLACES	± 0.13	± .01	± .---																							
1 PLACE	± 0.3	± .---	± .---																							
<table border="1"> <tr><td>DRAWN BY</td><td>C. YORK</td><td>DATE</td><td>2006/08/18</td></tr> <tr><td>CHECKED BY</td><td>J. MACNEIL</td><td>DATE</td><td>2006/08/18</td></tr> <tr><td>APPROVED BY</td><td>J. MACNEIL</td><td>DATE</td><td>2006/08/18</td></tr> </table>	DRAWN BY	C. YORK	DATE	2006/08/18	CHECKED BY	J. MACNEIL	DATE	2006/08/18	APPROVED BY	J. MACNEIL	DATE	2006/08/18	TITLE	9.53MM [.375] SR BTS ASY CS W/COVER, INSUL. FT												
DRAWN BY	C. YORK	DATE	2006/08/18																							
CHECKED BY	J. MACNEIL	DATE	2006/08/18																							
APPROVED BY	J. MACNEIL	DATE	2006/08/18																							
DRAFT WHERE APPLICABLE MUST REMAIN WITHIN DIMENSIONS	MATERIAL NO. SEE CHART	DOCUMENT NO. SD-38729-047	MOLEX INCORPORATED																							

9 8 7 6 5 4 3 2 1