



**Distributor of Molex Connector Corporation: Excellent Integrated System Limited**

Datasheet of 0387590031 - Connector Barrier Block Strip 3 Circuit 0.375" (9.53mm)

Contact us: [sales@integrated-circuit.com](mailto:sales@integrated-circuit.com) Website: [www.integrated-circuit.com](http://www.integrated-circuit.com)

---

## **Excellent Integrated System Limited**

Stocking Distributor

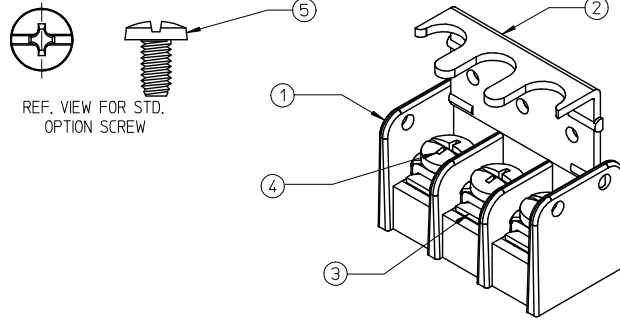
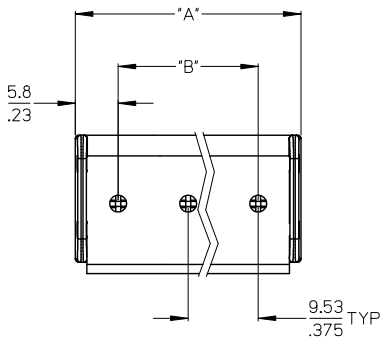
Click to view price, real time Inventory, Delivery & Lifecycle Information:

[Molex Connector Corporation](#)  
[0387590031](#)

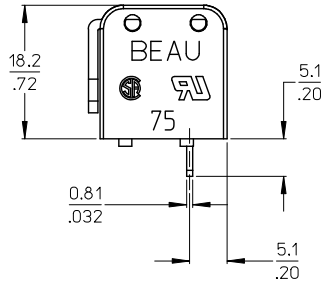
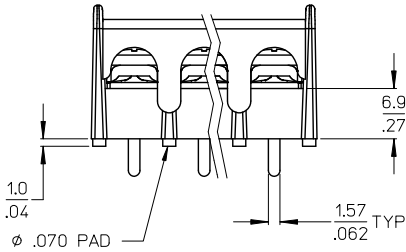
For any questions, you can email us directly:

[sales@integrated-circuit.com](mailto:sales@integrated-circuit.com)

10 9 8 7 6 5 4 3 2 38759



3 CIRCUIT SHOWN AS REFERENCE ONLY



NO. OF CIRCUITS	ASSY. MAT. NO. (STD OPT)	ASSY. MAT. NO. (-50 OPT)	DIM. 'A'		DIM. 'B'	
			mm	in	mm	in
03	387590303	387590031	30.4	1.20	19.05	0.750
04		387590305	39.9	1.57	28.58	1.125
08		387590382	78.0	3.07	66.68	2.625

NOTES:

1. MATERIAL: SEE TABLE.
2. FINISHES: SEE TABLE.
3. "XX" REFERS TO THE QTY OF CIRCUITS.
4. ROHS COMPLIANT.

ITEM	QTY.	DESCRIPTION	MATERIAL	FINISH
5	XX	SCREW #6-32X.250 BHD PHSLZV/STEEL (STD)	STEEL	ZN, CLEAR CHROMATE
4	XX	SCREW #6-32X.250 PAN PHSLZV/BR/STEEL -50	STEEL	ZN, CLEAR CHROMATE
3	XX	TERMINAL PC CS 6C SN/B	BRASS	TIN PLATE
2	1	COVER HINGE MO BLACK	POLYESTER (PBT)	BLACK
1	1	BARRIER	POLYESTER (PBT)	BLACK

INITIAL RELEASE EC NO: IP622014-1260 DRAWN: JENCINAS 2013/10/01 CHKD: JMACE I L 2014/02/07 APPR: JMACE I L 2014/03/10	QUALITY SYMBOLS ▽=0 ▽=0	GENERAL TOLERANCES (UNLESS SPECIFIED) <table border="1"> <thead> <tr> <th></th> <th>mm</th> <th>INCH</th> </tr> </thead> <tbody> <tr> <td>4 PLACES</td> <td>± .005</td> <td>± .0005</td> </tr> <tr> <td>3 PLACES</td> <td>± .01</td> <td>± .001</td> </tr> <tr> <td>2 PLACES</td> <td>± 0.13</td> <td>± .01</td> </tr> <tr> <td>1 PLACE</td> <td>± 0.3</td> <td>± .01</td> </tr> <tr> <td colspan="3">ANGULAR ± 2°</td> </tr> </tbody> </table>		mm	INCH	4 PLACES	± .005	± .0005	3 PLACES	± .01	± .001	2 PLACES	± 0.13	± .01	1 PLACE	± 0.3	± .01	ANGULAR ± 2°			DIMENSION STYLE MM/IN	SCALE 2:1	DESIGN UNITS INCH	THIRD ANGLE PROJECTION
				mm	INCH																			
4 PLACES	± .005	± .0005																						
3 PLACES	± .01	± .001																						
2 PLACES	± 0.13	± .01																						
1 PLACE	± 0.3	± .01																						
ANGULAR ± 2°																								
DRAFT WHERE APPLICABLE MUST REMAIN WITHIN DIMENSIONS		DRAWN BY JENCINAS	DATE 2013/09/30	TITLE 9.53/.375 SR TRI-BTS WITH HINGED COVER NO MTG. ENDS, OPT -50																				
APPROVED BY JMACE I L		DATE 2014/03/10		MOLEX INCORPORATED																				
MATERIAL NO. SEE CHART		DOCUMENT NO. SD-38759-014		SHEET NO. 1 OF 1																				

9 8 7 6 5 4 3 2 1

THIS DRAWING CONTAINS INFORMATION THAT IS PROPRIETARY TO MOLEX INCORPORATED AND SHOULD NOT BE USED WITHOUT WRITTEN PERMISSION