

Excellent Integrated System Limited

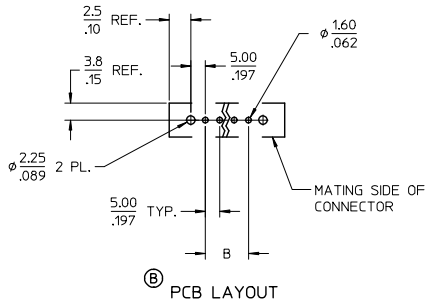
Stocking Distributor

Click to view price, real time Inventory, Delivery & Lifecycle Information:

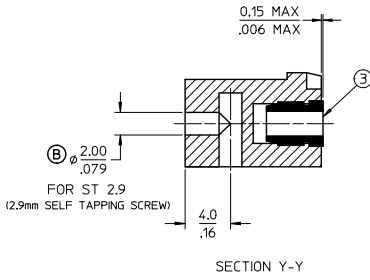
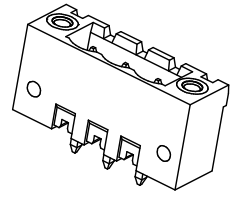
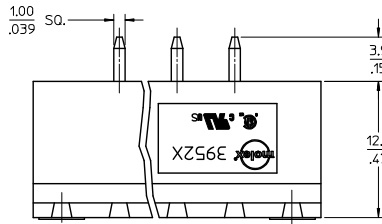
[Molex Connector Corporation](#)
[0395250013](#)

For any questions, you can email us directly:

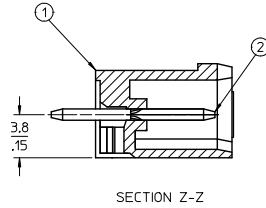
sales@integrated-circuit.com



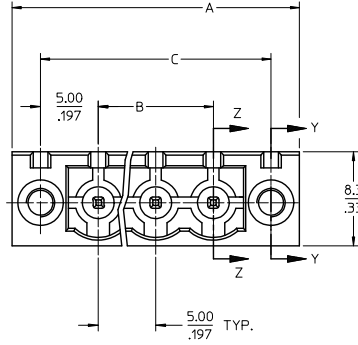
PCB LAYOUT



SECTION Y-Y



SECTION Z-Z



SPECIFICATIONS:

1. Material:
 - (1). Body: PA66
 - (2). Pin: Brass
 - (3). Threaded insert: Brass
2. Wire range: N/A
3. Electrical rating: 300V, 15A
4. Wire strip length: N/A
5. Operating temperature: -40C to +105C
6. Max torque: N/A
7. Insulation resistance: DC 500V, 500M
8. Dielectric withstand: AC 2500V for 1 minute
9. Breakdown voltage: 4000V.
10. A = (B + 15.0mm)
11. B = (N - 1) x P
13. C = (B + 10mm)
12. P (PITCH) = 5.0mm (.197")
13. N = Number of positions available 2 through 24
14. Dims shown are for reference only

ADD DIMS & PCB LYT EC NO: IF620/6-12/9 DRAWN BY: 20/6/03/ZF CHECKED BY: LSK/20/6/03/ZB APPROVED BY: 20/6/03/ZS	QUALITY SYMBOLS ▽=0 ▽=0	GENERAL TOLERANCES (UNLESS SPECIFIED)		DIMENSION STYLE MM/IN		SCALE 4:1	DESIGN UNITS INCH	THIRD ANGLE PROJECTION		
		4 PLACES ± --- ± .0015	3 PLACES ± 0.038 ± .005	2 PLACES ± 0.13 ± .01	1 PLACE ± 0.3 ± ---	0 PLACE ± ±	DRAWN BY LROTHAUS DATE 12/6/05	CHECKED BY C. YORK DATE 01/06/06	APPROVED BY DATE	TITLE 5.0MM, EURO HEADER, VERTICAL, MOUNTING
		ANGULAR ± 2 °			MATERIAL NO.		DOCUMENT NO.		SHEET NO.	
		DRAFT WHERE APPLICABLE MUST REMAIN WITHIN DIMENSIONS			SEE SHEET 2		SD-39525-002		1 OF 2	

10 9 8 7 6 5 4 3 2 39525

Description	Circuit Ref	Material Numbers												Dimensional Information																																																																																																																																																																																																																																																																																																																																																																																																																																																																																																																																																																																																																																																																																																																																																																																																	
		Black						Green						Dim. A			Dim. B			Dim. C																																																																																																																																																																																																																																																																																																																																																																																																																																																																																																																																																																																																																																																																																																																																																																																											
		10% In			30% Gold			10% In			30% Gold			mm	inch	mm	inch	mm	inch	mm	inch																																																																																																																																																																																																																																																																																																																																																																																																																																																																																																																																																																																																																																																																																																																																																																																										
		Printing Options			Printing Options			Printing Options			Printing Options																																																																																																																																																																																																																																																																																																																																																																																																																																																																																																																																																																																																																																																																																																																																																																																																				
5.0mm Euro Header, Vertical, Mounting Ends	2	395250002	395250003	395250004	395250005	395250006	395250007	395250008	395250009	395250010	395250011	395250012	395250013	395250014	395250015	395250016	395250017	395250018	395250019	395250020	395250021	395250022	395250023	395250024	395250025	395250026	395250027	395250028	395250029	395250030	395250031	395250032	395250033	395250034	395250035	395250036	395250037	395250038	395250039	395250040	395250041	395250042	395250043	395250044	395250045	395250046	395250047	395250048	395250049	395250050	395250051	395250052	395250053	395250054	395250055	395250056	395250057	395250058	395250059	395250060	395250061	395250062	395250063	395250064	395250065	395250066	395250067	395250068	395250069	395250070	395250071	395250072	395250073	395250074	395250075	395250076	395250077	395250078	395250079	395250080	395250081	395250082	395250083	395250084	395250085	395250086	395250087	395250088	395250089	395250090	395250091	395250092	395250093	395250094	395250095	395250096	395250097	395250098	395250099	395250100	395250101	395250102	395250103	395250104	395250105	395250106	395250107	395250108	395250109	395250110	395250111	395250112	395250113	395250114	395250115	395250116	395250117	395250118	395250119	395250120	395250121	395250122	395250123	395250124	395250125	395250126	395250127	395250128	395250129	395250130	395250131	395250132	395250133	395250134	395250135	395250136	395250137	395250138	395250139	395250140	395250141	395250142	395250143	395250144	395250145	395250146	395250147	395250148	395250149	395250150	395250151	395250152	395250153	395250154	395250155	395250156	395250157	395250158	395250159	395250160	395250161	395250162	395250163	395250164	395250165	395250166	395250167	395250168	395250169	395250170	395250171	395250172	395250173	395250174	395250175	395250176	395250177	395250178	395250179	395250180	395250181	395250182	395250183	395250184	395250185	395250186	395250187	395250188	395250189	395250190	395250191	395250192	395250193	395250194	395250195	395250196	395250197	395250198	395250199	395250200	395250201	395250202	395250203	395250204	395250205	395250206	395250207	395250208	395250209	395250210	395250211	395250212	395250213	395250214	395250215	395250216	395250217	395250218	395250219	395250220	395250221	395250222	395250223	395250224	395250225	395250226	395250227	395250228	395250229	395250230	395250231	395250232	395250233	395250234	395250235	395250236	395250237	395250238	395250239	395250240	395250241	395250242	395250243	395250244	395250245	395250246	395250247	395250248	395250249	395250250	395250251	395250252	395250253	395250254	395250255	395250256	395250257	395250258	395250259	395250260	395250261	395250262	395250263	395250264	395250265	395250266	395250267	395250268	395250269	395250270	395250271	395250272	395250273	395250274	395250275	395250276	395250277	395250278	395250279	395250280	395250281	395250282	395250283	395250284	395250285	395250286	395250287	395250288	395250289	395250290	395250291	395250292	395250293	395250294	395250295	395250296	395250297	395250298	395250299	395250300	395250301	395250302	395250303	395250304	395250305	395250306	395250307	395250308	395250309	395250310	395250311	395250312	395250313	395250314	395250315	395250316	395250317	395250318	395250319	395250320	395250321	395250322	395250323	395250324	395250325	395250326	395250327	395250328	395250329	395250330	395250331	395250332	395250333	395250334	395250335	395250336	395250337	395250338	395250339	395250340	395250341	395250342	395250343	395250344	395250345	395250346	395250347	395250348	395250349	395250350	395250351	395250352	395250353	395250354	395250355	395250356	395250357	395250358	395250359	395250360	395250361	395250362	395250363	395250364	395250365	395250366	395250367	395250368	395250369	395250370	395250371	395250372	395250373	395250374	395250375	395250376	395250377	395250378	395250379	395250380	395250381	395250382	395250383	395250384	395250385	395250386	395250387	395250388	395250389	395250390	395250391	395250392	395250393	395250394	395250395	395250396	395250397	395250398	395250399	395250400	395250401	395250402	395250403	395250404	395250405	395250406	395250407	395250408	395250409	395250410	395250411	395250412	395250413	395250414	395250415	395250416	395250417	395250418	395250419	395250420	395250421	395250422	395250423	395250424	395250425	395250426	395250427	395250428	395250429	395250430	395250431	395250432	395250433	395250434	395250435	395250436	395250437	395250438	395250439	395250440	395250441	395250442	395250443	395250444	395250445	395250446	395250447	395250448	395250449	395250450	395250451	395250452	395250453	395250454	395250455	395250456	395250457	395250458	395250459	395250460	395250461	395250462	395250463	395250464	395250465	395250466	395250467	395250468	395250469	395250470	395250471	395250472	395250473	395250474	395250475	395250476	395250477	395250478	395250479	395250480	395250481	395250482	395250483	395250484	395250485	395250486	395250487	395250488	395250489	395250490	395250491	395250492	395250493	395250494	395250495	395250496	395250497	395250498	395250499	395250500	395250501	395250502	395250503	395250504	395250505	395250506	395250507	395250508	395250509	395250510	395250511	395250512	395250513	395250514	395250515	395250516	395250517	395250518	395250519	395250520	395250521	395250522	395250523	395250524	395250525	395250526	395250527	395250528	395250529	395250530	395250531	395250532	395250533	395250534	395250535	395250536	395250537	395250538	395250539	395250540	395250541	395250542	395250543	395250544	395250545	395250546	395250547	395250548	395250549	395250550	395250551	395250552	395250553	395250554	395250555	395250556	395250557	395250558	395250559	395250560	395250561	395250562	395250563	395250564	395250565	395250566	395250567	395250568	395250569	395250570	395250571	395250572	395250573	395250574	395250575	395250576	395250577	395250578	395250579	395250580	395250581	395250582	395250583	395250584	395250585	395250586	395250587	395250588	395250589	395250590	395250591	395250592	395250593	395250594	395250595	395250596	395250597	395250598	395250599	395250600	395250601	395250602	395250603	395250604	395250605	395250606	395250607	395250608	395250609	395250610	395250611	395250612	395250613	395250614	395250615	395250616	395250617	395250618	395250619	395250620	395250621	395250622	395250623	395250624	395250625	395250626	395250627	395250628	395250629	395250630	395250631	395250632	395250633	395250634	395250635	395250636	395250637	395250638	395250639	395250640	395250641	395250642	395250643	395250644	395250645	395250646	395250647	395250648	395250649	395250650	395250651	395250652	395250653	395250654	395250655	395250656	395250657	395250658	395250659	395250660	395250661	395250662	395250663	395250664	395250665	395250666	395250667	395250668	395250669	395250670	395250671	395250672	395250673	395250674	395250675	395250676	395250677	395250678	395250679	395250680	395250681	395250682	395250683	395250684	395250685	395250686	395250687	395250688	395250689	395250690	395250691	395250692	395250693	395250694	395250695	395250696	395250697	395250698	395250699	395250700	395250701	395250702	395250703	395250704	395250705	395250706	395250707	395250708	395250709	395250710	395250711	395250712	395250713	395250714	395250715	395250716	395250717	395250718	395250719	395250720	395250721	395250722	395250723	395250724	395250725	395250726	395250727	395250728	395250729	395250730	395250731	395250732	395250733	395250734	395250735	395250736	395250737	395250738	395250739	395250740	395250741	395250742	395250743	395250744	395250745	395250746	395250747	395250748	395250749	395250750	395250751	395250752	395250753	395250754	395250755	395250756	395250757	395250758	395250759	395250760	395250761	395250762	395250763	395250764	395250765	395250766	395250767	395250768	395250769	395250770	395250771	395250772	395250773	395250774	395250775	395250776	395250777	395250778	395250779	395250780	395250781	395250782	395250783

10 9 8 7 6 5 4 3 2 1

Description	Circuit size	Material Numbers												Dimensional Information						
		Black						Green						Dim. A		Dim. B		Dim. C		
		100% Tin			30 U Gold			100% Tin			30 U Gold			mm	inch	mm	inch	mm	inch	
		Printing Options			Printing Options			Printing Options			Printing Options									
None	10AV	11AV	None	10AV	11AV	None	10AV	11AV	None	10AV	11AV	None	10AV	11AV	mm	inch	mm	inch	mm	inch
5.0mm, Euro Header, Vertical, Mounting Ends	2	395250002	395250002	395250402	395250002	395250802	395250002	395250002	395250302	395255402	395255002	395255002	395255002	395255002	20.00	0.787	5.00	0.197	15.00	0.591
5.0mm, Euro Header, Vertical, Mounting Ends	3	395250003	395250003	395250403	395250003	395250803	395250003	395250003	395250303	395255403	395255003	395255003	395255003	395255003	25.00	0.984	10.00	0.394	20.00	0.787
5.0mm, Euro Header, Vertical, Mounting Ends	4	395250004	395250004	395250404	395250004	395250804	395250004	395250004	395250304	395255404	395255004	395255004	395255004	395255004	30.00	1.181	15.00	0.591	25.00	0.984
5.0mm, Euro Header, Vertical, Mounting Ends	5	395250005	395250005	395250405	395250005	395250805	395250005	395250005	395250305	395255405	395255005	395255005	395255005	395255005	35.00	1.378	20.00	0.787	30.00	1.181
5.0mm, Euro Header, Vertical, Mounting Ends	6	395250006	395250006	395250406	395250006	395250806	395250006	395250006	395250306	395255406	395255006	395255006	395255006	395255006	40.00	1.575	25.00	0.984	35.00	1.378
5.0mm, Euro Header, Vertical, Mounting Ends	7	395250007	395250007	395250407	395250007	395250807	395250007	395250007	395250307	395255407	395255007	395255007	395255007	395255007	45.00	1.772	30.00	1.181	40.00	1.575
5.0mm, Euro Header, Vertical, Mounting Ends	8	395250008	395250008	395250408	395250008	395250808	395250008	395250008	395250308	395255408	395255008	395255008	395255008	395255008	50.00	1.969	35.00	1.378	45.00	1.772
5.0mm, Euro Header, Vertical, Mounting Ends	9	395250009	395250009	395250409	395250009	395250809	395250009	395250009	395250309	395255409	395255009	395255009	395255009	395255009	55.00	2.165	40.00	1.575	50.00	1.969
5.0mm, Euro Header, Vertical, Mounting Ends	10	395250010	395250010	395250410	395250010	395250810	395250010	395250010	395250310	395255410	395255010	395255010	395255010	395255010	60.00	2.362	45.00	1.772	55.00	2.165
5.0mm, Euro Header, Vertical, Mounting Ends	11	395250011	395250011	395250411	395250011	395250811	395250011	395250011	395250311	395255411	395255011	395255011	395255011	395255011	65.00	2.559	50.00	1.969	60.00	2.362
5.0mm, Euro Header, Vertical, Mounting Ends	12	395250012	395250012	395250412	395250012	395250812	395250012	395250012	395250312	395255412	395255012	395255012	395255012	395255012	70.00	2.756	55.00	2.165	65.00	2.559
5.0mm, Euro Header, Vertical, Mounting Ends	13	395250013	395250013	395250413	395250013	395250813	395250013	395250013	395250313	395255413	395255013	395255013	395255013	395255013	75.00	2.953	60.00	2.362	70.00	2.756
5.0mm, Euro Header, Vertical, Mounting Ends	14	395250014	395250014	395250414	395250014	395250814	395250014	395250014	395250314	395255414	395255014	395255014	395255014	395255014	80.00	3.150	65.00	2.559	75.00	2.953
5.0mm, Euro Header, Vertical, Mounting Ends	15	395250015	395250015	395250415	395250015	395250815	395250015	395250015	395250315	395255415	395255015	395255015	395255015	395255015	85.00	3.347	70.00	2.756	80.00	3.150
5.0mm, Euro Header, Vertical, Mounting Ends	16	395250016	395250016	395250416	395250016	395250816	395250016	395250016	395250316	395255416	395255016	395255016	395255016	395255016	90.00	3.543	75.00	2.953	85.00	3.347
5.0mm, Euro Header, Vertical, Mounting Ends	17	395250017	395250017	395250417	395250017	395250817	395250017	395250017	395250317	395255417	395255017	395255017	395255017	395255017	95.00	3.740	80.00	3.150	90.00	3.543
5.0mm, Euro Header, Vertical, Mounting Ends	18	395250018	395250018	395250418	395250018	395250818	395250018	395250018	395250318	395255418	395255018	395255018	395255018	395255018	100.00	3.937	85.00	3.347	95.00	3.740
5.0mm, Euro Header, Vertical, Mounting Ends	19	395250019	395250019	395250419	395250019	395250819	395250019	395250019	395250319	395255419	395255019	395255019	395255019	395255019	105.00	4.134	90.00	3.543	100.00	3.937
5.0mm, Euro Header, Vertical, Mounting Ends	20	395250020	395250020	395250420	395250020	395250820	395250020	395250020	395250320	395255420	395255020	395255020	395255020	395255020	110.00	4.331	95.00	3.740	105.00	4.134
5.0mm, Euro Header, Vertical, Mounting Ends	21	395250021	395250021	395250421	395250021	395250821	395250021	395250021	395250321	395255421	395255021	395255021	395255021	395255021	115.00	4.528	100.00	3.937	110.00	4.331
5.0mm, Euro Header, Vertical, Mounting Ends	22	395250022	395250022	395250422	395250022	395250822	395250022	395250022	395250322	395255422	395255022	395255022	395255022	395255022	120.00	4.724	105.00	4.134	115.00	4.528
5.0mm, Euro Header, Vertical, Mounting Ends	23	395250023	395250023	395250423	395250023	395250823	395250023	395250023	395250323	395255423	395255023	395255023	395255023	395255023	125.00	4.921	110.00	4.331	120.00	4.724
5.0mm, Euro Header, Vertical, Mounting Ends	24	395250024	395250024	395250424	395250024	395250824	395250024	395250024	395250324	395255424	395255024	395255024	395255024	395255024	130.00	5.118	115.00	4.528	125.00	4.921

SEE SHEET 1 EC NO: NE02006-0310 DRN: LROTHAUS 2006/01/08 CHKD: CYORK 2006/01/08 APPR: JFAMILK 2006/01/10 REV:	QUALITY SYMBOLS	GENERAL TOLERANCES (UNLESS SPECIFIED) mm INCH 4 PLACES ± --- ± .0015 3 PLACES ± 0.038 ± .005 2 PLACES ± 0.13 ± .01 1 PLACE ± 0.3 ± --- ANGULAR ± 2°	DIMENSION STYLE	SCALE	DESIGN UNITS	THIRD ANGLE PROJECTION
	DESCRIPTION		MM/IN	4:1	INCH	
	DATE		DRAWN BY	DATE	TITLE	
	12/6/05		LROTHAUS	01/04/06	5.0MM, EURO HEADER, VERTICAL, MOUNTING	
			CHECKED BY	DATE		
			C. YORK	01/04/06		
			APPROVED BY	DATE		
			MATERIAL NO.	DOCUMENT NO.	SHEET NO.	
			SEE CHART	SD-39525-002	2 OF 2	
			SIZE B	THIS DRAWING CONTAINS INFORMATION THAT IS PROPRIETARY TO MOLEX INCORPORATED AND SHOULD NOT BE USED WITHOUT WRITTEN PERMISSION		

9 8 7 6 5 4 3 2 1