

## Excellent Integrated System Limited

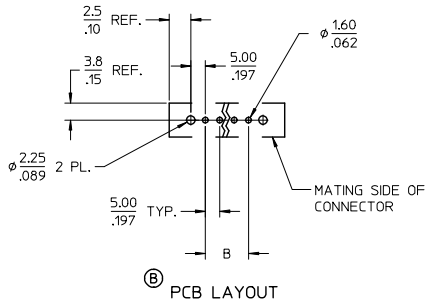
Stocking Distributor

Click to view price, real time Inventory, Delivery & Lifecycle Information:

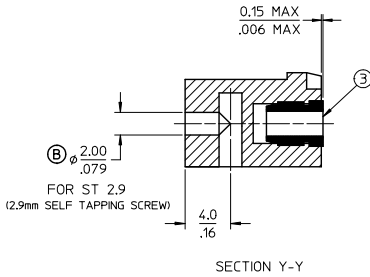
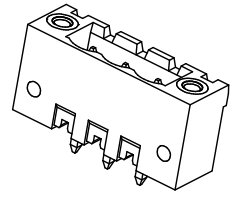
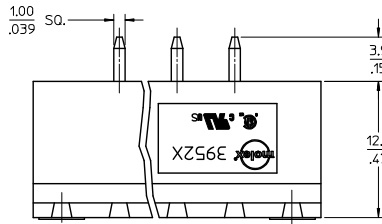
[Molex Connector Corporation](#)  
[0395255008](#)

For any questions, you can email us directly:

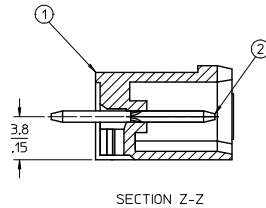
[sales@integrated-circuit.com](mailto:sales@integrated-circuit.com)



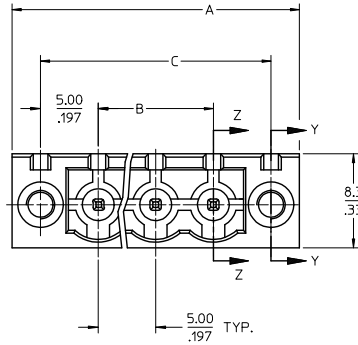
PCB LAYOUT



SECTION Y-Y



SECTION Z-Z



**SPECIFICATIONS:**

1. Material:
  - (1). Body: PA66
  - (2). Pin: Brass
  - (3). Threaded insert: Brass
2. Wire range: N/A
3. Electrical rating: 300V, 15A
4. Wire strip length: N/A
5. Operating temperature: -40C to +105C
6. Max torque: N/A
7. Insulation resistance: DC 500V, 500M
8. Dielectric withstand: AC 2500V for 1 minute
9. Breakdown voltage: 4000V.
10. A = (B + 15.0mm)
11. B = (N - 1) x P
13. C = (B + 10mm)
12. P (PITCH) = 5.0mm (.197")
13. N = Number of positions available 2 through 24
14. Dims shown are for reference only

ADD DIMS & PCB LYT EC NO: IF620/6-12/9 DRAWN BY: 20/6/03/ZF CHECKED BY: LSK/20/6/03/ZB APPROVED BY: 20/6/03/ZS	QUALITY SYMBOLS ▽=0 ▽=0	GENERAL TOLERANCES (UNLESS SPECIFIED)		DIMENSION STYLE		SCALE	DESIGN UNITS	THIRD ANGLE PROJECTION	
				MM/IN		4:1	INCH		
				DRAWN BY: LROTHAUS		DATE: 12/6/05		TITLE: 5.0MM, EURO HEADER, VERTICAL, MOUNTING	
				CHECKED BY: C. YORK		DATE: 01/06/06		<b>molex</b>	
		APPROVED BY:		DATE:		DOCUMENT NO. SD-39525-002	SHEET NO. 1 OF 2		
		ANGULAR ± 2°		MATERIAL NO.					
		DRAFT WHERE APPLICABLE MUST REMAIN WITHIN DIMENSIONS		SEE SHEET 2		THIS DRAWING CONTAINS INFORMATION THAT IS PROPRIETARY TO MOLEX INCORPORATED AND SHOULD NOT BE USED WITHOUT WRITTEN PERMISSION			

10 9 8 7 6 5 4 3 2 39525

Description	Circuit Ref	Material Numbers												Dimensional Information									
		Black						Green						Dim. A			Dim. B			Dim. G			
		10% In			30% Gold			10% In			30% Gold			mm		mm		mm		mm		mm	
		Printing Options			Printing Options			Printing Options			Printing Options												
5.0mm Euro Header, Vertical, Mounting Ends	2	39525002	39525003	39525004	39525005	39525006	39525007	39525008	39525009	39525010	39525011	39525012	39525013	39525014	20.00	0.787	5.00	0.197	15.00	0.591	25.00	0.984	
5.0mm Euro Header, Vertical, Mounting Ends	3	39525003	39525004	39525005	39525006	39525007	39525008	39525009	39525010	39525011	39525012	39525013	39525014	20.00	0.787	5.00	0.197	15.00	0.591	25.00	0.984		
5.0mm Euro Header, Vertical, Mounting Ends	4	39525004	39525005	39525006	39525007	39525008	39525009	39525010	39525011	39525012	39525013	39525014	39525015	30.00	1.181	15.00	0.591	30.00	0.797	30.00	1.181		
5.0mm Euro Header, Vertical, Mounting Ends	5	39525005	39525006	39525007	39525008	39525009	39525010	39525011	39525012	39525013	39525014	39525015	39525016	35.00	1.379	20.00	0.797	30.00	0.797	30.00	1.181		
5.0mm Euro Header, Vertical, Mounting Ends	6	39525006	39525007	39525008	39525009	39525010	39525011	39525012	39525013	39525014	39525015	39525016	39525017	40.00	1.575	25.00	0.994	35.00	1.379	35.00	1.379		
5.0mm Euro Header, Vertical, Mounting Ends	7	39525007	39525008	39525009	39525010	39525011	39525012	39525013	39525014	39525015	39525016	39525017	39525018	45.00	1.772	30.00	1.181	40.00	1.575	40.00	1.575		
5.0mm Euro Header, Vertical, Mounting Ends	8	39525008	39525009	39525010	39525011	39525012	39525013	39525014	39525015	39525016	39525017	39525018	39525019	50.00	1.969	35.00	1.379	45.00	1.772	45.00	1.772		
5.0mm Euro Header, Vertical, Mounting Ends	9	39525009	39525010	39525011	39525012	39525013	39525014	39525015	39525016	39525017	39525018	39525019	39525020	55.00	2.165	40.00	1.575	50.00	1.969	50.00	1.969		
5.0mm Euro Header, Vertical, Mounting Ends	10	39525010	39525011	39525012	39525013	39525014	39525015	39525016	39525017	39525018	39525019	39525020	39525021	60.00	2.362	45.00	1.772	55.00	2.165	55.00	2.165		
5.0mm Euro Header, Vertical, Mounting Ends	11	39525011	39525012	39525013	39525014	39525015	39525016	39525017	39525018	39525019	39525020	39525021	39525022	65.00	2.559	50.00	1.969	60.00	2.362	60.00	2.362		
5.0mm Euro Header, Vertical, Mounting Ends	12	39525012	39525013	39525014	39525015	39525016	39525017	39525018	39525019	39525020	39525021	39525022	39525023	70.00	2.756	55.00	2.165	65.00	2.559	65.00	2.559		
5.0mm Euro Header, Vertical, Mounting Ends	13	39525013	39525014	39525015	39525016	39525017	39525018	39525019	39525020	39525021	39525022	39525023	39525024	75.00	2.953	60.00	2.362	70.00	2.756	70.00	2.756		
5.0mm Euro Header, Vertical, Mounting Ends	14	39525014	39525015	39525016	39525017	39525018	39525019	39525020	39525021	39525022	39525023	39525024	39525025	80.00	3.150	65.00	2.559	75.00	2.953	75.00	2.953		
5.0mm Euro Header, Vertical, Mounting Ends	15	39525015	39525016	39525017	39525018	39525019	39525020	39525021	39525022	39525023	39525024	39525025	39525026	85.00	3.347	70.00	2.756	80.00	3.150	80.00	3.150		
5.0mm Euro Header, Vertical, Mounting Ends	16	39525016	39525017	39525018	39525019	39525020	39525021	39525022	39525023	39525024	39525025	39525026	39525027	90.00	3.544	75.00	2.953	85.00	3.347	85.00	3.347		
5.0mm Euro Header, Vertical, Mounting Ends	17	39525017	39525018	39525019	39525020	39525021	39525022	39525023	39525024	39525025	39525026	39525027	39525028	95.00	3.741	80.00	3.150	90.00	3.544	90.00	3.544		
5.0mm Euro Header, Vertical, Mounting Ends	18	39525018	39525019	39525020	39525021	39525022	39525023	39525024	39525025	39525026	39525027	39525028	39525029	100.00	3.937	85.00	3.346	95.00	3.741	95.00	3.741		
5.0mm Euro Header, Vertical, Mounting Ends	19	39525019	39525020	39525021	39525022	39525023	39525024	39525025	39525026	39525027	39525028	39525029	39525030	105.00	4.134	90.00	3.543	100.00	3.937	100.00	3.937		
5.0mm Euro Header, Vertical, Mounting Ends	20	39525020	39525021	39525022	39525023	39525024	39525025	39525026	39525027	39525028	39525029	39525030	39525031	110.00	4.331	95.00	3.740	105.00	4.134	105.00	4.134		
5.0mm Euro Header, Vertical, Mounting Ends	21	39525021	39525022	39525023	39525024	39525025	39525026	39525027	39525028	39525029	39525030	39525031	39525032	115.00	4.528	100.00	3.937	110.00	4.331	110.00	4.331		
5.0mm Euro Header, Vertical, Mounting Ends	22	39525022	39525023	39525024	39525025	39525026	39525027	39525028	39525029	39525030	39525031	39525032	39525033	120.00	4.724	105.00	4.134	115.00	4.528	115.00	4.528		
5.0mm Euro Header, Vertical, Mounting Ends	23	39525023	39525024	39525025	39525026	39525027	39525028	39525029	39525030	39525031	39525032	39525033	39525034	125.00	4.921	110.00	3.931	120.00	4.724	120.00	4.724		
5.0mm Euro Header, Vertical, Mounting Ends	24	39525024	39525025	39525026	39525027	39525028	39525029	39525030	39525031	39525032	39525033	39525034	39525035	130.00	5.119	115.00	4.530	125.00	4.921	125.00	4.921		

SHT-2 WAS ME10 DOC EC NO: PG2016-1279 DRAWN BY: DRINKSTONE 2016/03/27 CHECKED BY: ZIEHL INSK 2016/03/28 APPROVED BY: 2016/03/25	QUALITY SYMBOLS 	GENERAL TOLERANCES (UNLESS SPECIFIED)		DIMENSION STYLE		SCALE	DESIGN UNITS	THIRD ANGLE PROJECTION			
				MM/IN		1:1	INCH				
						DRAWN BY DATE		TITLE			
						CHECKED BY DATE		5.0MM, EURO HEADER, VERTICAL, MOUNTING			
				APPROVED BY DATE		<b>molex</b>					
		ANGULAR ± 2 °		MATERIAL NO.		DOCUMENT NO.		SHEET NO.			
		DRAFT WHERE APPLICABLE MUST REMAIN WITHIN DIMENSIONS		SEE CHART		SD-39525-002		2 OF 2			
				THIS DRAWING CONTAINS INFORMATION THAT IS PROPRIETARY TO MOLEX INCORPORATED AND SHOULD NOT BE USED WITHOUT WRITTEN PERMISSION							

10 9 8 7 6 5 4 3 2 1

Description	Circuit size	Material Numbers												Dimensional Information							
		Black						Green						Dim. A		Dim. B		Dim. C			
		100% Tin			30 U Gold			100% Tin			30 U Gold			mm	inch	mm	inch	mm	inch		
		Printing Options			Printing Options			Printing Options			Printing Options										
None	10AV	11AV	None	10AV	11AV	None	10AV	11AV	None	10AV	11AV	None	10AV	11AV	mm	inch	mm	inch	mm	inch	
5.0mm, Euro Header, Vertical, Mounting Ends	2	39525002	39525032	39525042	39525052	39525062	39525072	39525082	39525092	39525102	39525112	39525122	39525132	39525142	39525152	20.00	0.787	5.00	0.197	15.00	0.591
5.0mm, Euro Header, Vertical, Mounting Ends	3	39525003	39525033	39525043	39525053	39525063	39525073	39525083	39525093	39525103	39525113	39525123	39525133	39525143	39525153	25.00	0.984	10.00	0.394	20.00	0.787
5.0mm, Euro Header, Vertical, Mounting Ends	4	39525004	39525034	39525044	39525054	39525064	39525074	39525084	39525094	39525104	39525114	39525124	39525134	39525144	39525154	30.00	1.181	15.00	0.591	25.00	0.984
5.0mm, Euro Header, Vertical, Mounting Ends	5	39525005	39525035	39525045	39525055	39525065	39525075	39525085	39525095	39525105	39525115	39525125	39525135	39525145	39525155	35.00	1.378	20.00	0.787	30.00	1.181
5.0mm, Euro Header, Vertical, Mounting Ends	6	39525006	39525036	39525046	39525056	39525066	39525076	39525086	39525096	39525106	39525116	39525126	39525136	39525146	39525156	40.00	1.575	25.00	0.984	35.00	1.378
5.0mm, Euro Header, Vertical, Mounting Ends	7	39525007	39525037	39525047	39525057	39525067	39525077	39525087	39525097	39525107	39525117	39525127	39525137	39525147	39525157	45.00	1.772	30.00	1.181	40.00	1.575
5.0mm, Euro Header, Vertical, Mounting Ends	8	39525008	39525038	39525048	39525058	39525068	39525078	39525088	39525098	39525108	39525118	39525128	39525138	39525148	39525158	50.00	1.969	35.00	1.378	45.00	1.772
5.0mm, Euro Header, Vertical, Mounting Ends	9	39525009	39525039	39525049	39525059	39525069	39525079	39525089	39525099	39525109	39525119	39525129	39525139	39525149	39525159	55.00	2.166	40.00	1.575	50.00	1.969
5.0mm, Euro Header, Vertical, Mounting Ends	10	39525010	39525040	39525050	39525060	39525070	39525080	39525090	39525100	39525110	39525120	39525130	39525140	39525150	60.00	2.362	45.00	1.772	55.00	2.166	
5.0mm, Euro Header, Vertical, Mounting Ends	11	39525011	39525041	39525051	39525061	39525071	39525081	39525091	39525101	39525111	39525121	39525131	39525141	39525151	65.00	2.559	50.00	1.969	60.00	2.362	
5.0mm, Euro Header, Vertical, Mounting Ends	12	39525012	39525042	39525052	39525062	39525072	39525082	39525092	39525102	39525112	39525122	39525132	39525142	39525152	70.00	2.756	55.00	2.166	65.00	2.559	
5.0mm, Euro Header, Vertical, Mounting Ends	13	39525013	39525043	39525053	39525063	39525073	39525083	39525093	39525103	39525113	39525123	39525133	39525143	39525153	75.00	2.953	60.00	2.362	70.00	2.756	
5.0mm, Euro Header, Vertical, Mounting Ends	14	39525014	39525044	39525054	39525064	39525074	39525084	39525094	39525104	39525114	39525124	39525134	39525144	39525154	80.00	3.150	65.00	2.559	75.00	2.953	
5.0mm, Euro Header, Vertical, Mounting Ends	15	39525015	39525045	39525055	39525065	39525075	39525085	39525095	39525105	39525115	39525125	39525135	39525145	39525155	85.00	3.347	70.00	2.756	80.00	3.150	
5.0mm, Euro Header, Vertical, Mounting Ends	16	39525016	39525046	39525056	39525066	39525076	39525086	39525096	39525106	39525116	39525126	39525136	39525146	39525156	90.00	3.544	75.00	2.953	85.00	3.347	
5.0mm, Euro Header, Vertical, Mounting Ends	17	39525017	39525047	39525057	39525067	39525077	39525087	39525097	39525107	39525117	39525127	39525137	39525147	39525157	95.00	3.741	80.00	3.150	90.00	3.544	
5.0mm, Euro Header, Vertical, Mounting Ends	18	39525018	39525048	39525058	39525068	39525078	39525088	39525098	39525108	39525118	39525128	39525138	39525148	39525158	100.00	3.938	85.00	3.347	95.00	3.741	
5.0mm, Euro Header, Vertical, Mounting Ends	19	39525019	39525049	39525059	39525069	39525079	39525089	39525099	39525109	39525119	39525129	39525139	39525149	39525159	105.00	4.134	90.00	3.544	100.00	3.938	
5.0mm, Euro Header, Vertical, Mounting Ends	20	39525020	39525050	39525060	39525070	39525080	39525090	39525100	39525110	39525120	39525130	39525140	39525150	110.00	4.331	95.00	3.741	105.00	4.134		
5.0mm, Euro Header, Vertical, Mounting Ends	21	39525021	39525051	39525061	39525071	39525081	39525091	39525101	39525111	39525121	39525131	39525141	39525151	115.00	4.528	100.00	3.937	110.00	4.331		
5.0mm, Euro Header, Vertical, Mounting Ends	22	39525022	39525052	39525062	39525072	39525082	39525092	39525102	39525112	39525122	39525132	39525142	39525152	120.00	4.724	105.00	4.134	115.00	4.528		
5.0mm, Euro Header, Vertical, Mounting Ends	23	39525023	39525053	39525063	39525073	39525083	39525093	39525103	39525113	39525123	39525133	39525143	39525153	125.00	4.921	110.00	4.331	120.00	4.724		
5.0mm, Euro Header, Vertical, Mounting Ends	24	39525024	39525054	39525064	39525074	39525084	39525094	39525104	39525114	39525124	39525134	39525144	39525154	130.00	5.118	115.00	4.528	125.00	4.921		

SEE SHEET 1 EC NO: NE02006-0310 DRAWN BY: LROTHAUS CHKD BY: C.YORK APPR: J.PAWLIK 2006/01/08 2006/01/08 2006/01/10	QUALITY SYMBOLS ▽=0 ▽=0	GENERAL TOLERANCES (UNLESS SPECIFIED)		DIMENSION STYLE		SCALE	DESIGN UNITS	THIRD ANGLE PROJECTION
				MM/IN		4:1	INCH	
				DRAWN BY DATE		TITLE		
				LROTHAUS 12/6/05		5.0MM, EURO HEADER, VERTICAL, MOUNTING		
		CHECKED BY DATE		MATERIAL NO.		DOCUMENT NO.		SHEET NO.
		C. YORK 01/04/06		SEE CHART		SD-39525-002		2 OF 2
		APPROVED BY DATE		MATERIAL NO.		DOCUMENT NO.		SHEET NO.
				SD-39525-002		SD-39525-002		2 OF 2
		ANGULAR ± 2°		MATERIAL NO.		DOCUMENT NO.		SHEET NO.
				SD-39525-002		SD-39525-002		2 OF 2
		DRAFT WHERE APPLICABLE MUST REMAIN WITHIN DIMENSIONS		MATERIAL NO.		DOCUMENT NO.		SHEET NO.
				SD-39525-002		SD-39525-002		2 OF 2
				MATERIAL NO.		DOCUMENT NO.		SHEET NO.
				SD-39525-002		SD-39525-002		2 OF 2
				MATERIAL NO.		DOCUMENT NO.		SHEET NO.
				SD-39525-002		SD-39525-002		2 OF 2
				MATERIAL NO.		DOCUMENT NO.		SHEET NO.
				SD-39525-002		SD-39525-002		2 OF 2

9 8 7 6 5 4 3 2 1