

Excellent Integrated System Limited

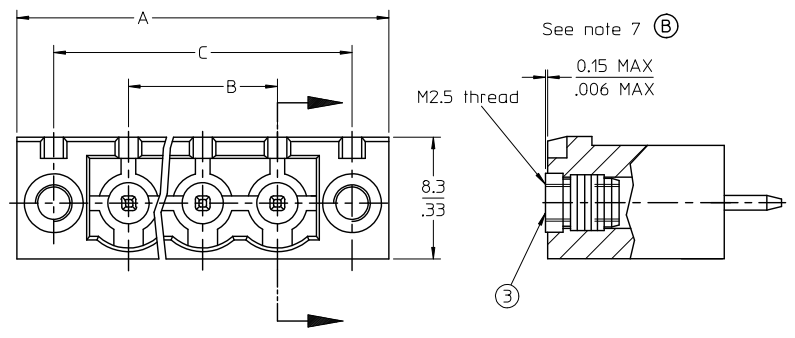
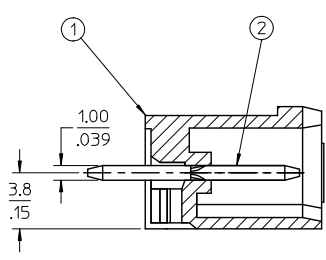
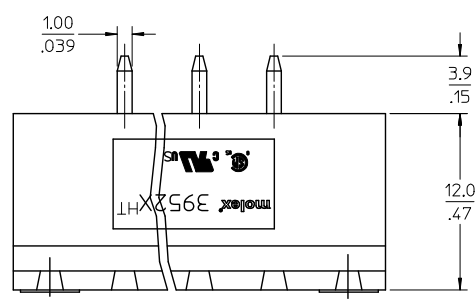
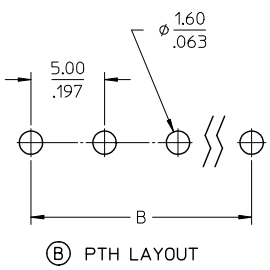
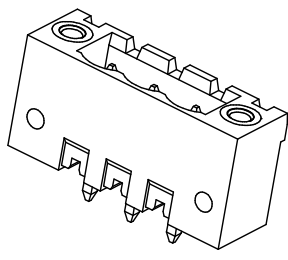
Stocking Distributor

Click to view price, real time Inventory, Delivery & Lifecycle Information:

[Molex Connector Corporation](#)
[0395259018](#)

For any questions, you can email us directly:

sales@integrated-circuit.com



SPECIFICATIONS:

1. Material:
 - (1). Body: PA46, UL 94V-0
 - (2). Pin: Brass
 - (3). Threaded insert: Brass
2. Electrical rating: 300V, 15A
3. Wire strip length: N/A
3. Operating temperature: -40 to +105°C
5. Max. insert retention force: 11.02 lbf (49.03N) (B)
6. Insulation resistance: DC 500V, 500M
7. Dielectric withstand: AC 2500V for 1 minute
8. Breakdown voltage: 4000V
9. Max soldering temp: 260°C (500°F) for 5 seconds (B)
10. A = (B + 15.0mm)
11. B = (N - 1) x P
13. C = (B + 10mm)
12. P (PITCH) = 5.0mm (.197").
13. N = Number of positions available 2 through 24
14. Dims shown are for reference only (B)

| | | | | | | | | |
|-------------------------------------------------------------------------------------------------------------------------|-----------------|-------------------------------------------------------------------------------------------------------------------------------|-------------------------------------------------------------------------------------------------------------------------------|----------|------------------------------------------------|--------------|------------------------|--|
| ADD NOT RETENTION NOTE PTH LAYOUT 2014/10/22 DR: DRINKSTONE CHKD: B. ARDEN APPR: J. MORPHY 2014/11/06 | QUALITY SYMBOLS | GENERAL TOLERANCES (UNLESS SPECIFIED) | DIMENSION STYLE | | SCALE | DESIGN UNITS | THIRD ANGLE PROJECTION | |
| | ▽=0 ▽=0 | mm INCH 4 PLACES ± --- ± .0015 3 PLACES ± 0.038 ± .005 2 PLACES ± 0.13 ± .01 1 PLACE ± 0.3 ± --- ANGULAR ± 2 ° | MM/IN | | 4:1 | INCH | | |
| | DESCRIPTION | DRAFT WHERE APPLICABLE MUST REMAIN WITHIN DIMENSIONS | DRAWN BY | DATE | TITLE | | | |
| | | | LROTHAUS | 12/16/05 | 5.0MM, EURO HEADER, VERTICAL, HI-TEMP MOUNTING | | | |
| | | | CHECKED BY | DATE | MATERIAL NO. | | | |
| | | | C. YORK | 01/06/06 | SEE CHART | | | |
| | | | APPROVED BY | DATE | DOCUMENT NO. | | | |
| | | | | | SD-39525-001 | | | |
| | | | SIZE | | SHEET NO. | | | |
| | | | B | | 1 OF 2 | | | |
| | | | THIS DRAWING CONTAINS INFORMATION THAT IS PROPRIETARY TO MOLEX INCORPORATED AND SHOULD NOT BE USED WITHOUT WRITTEN PERMISSION | | | | | |

10 9 8 7 6 5 4 3 2 39525

| Description | Circuit Size | Material Numbers | | | | | | | | | | | | Dimensional Information | | | | | | | | | | | |
|--------------------------------------------------------|--------------|------------------|-----------|-----------|------------------|-----------|-----------|------------------|-----------|-----------|------------------|-----------|-----------|-------------------------|-------|--------|--------|--------|-------|--------|------|----|--|------|--|
| | | Black | | | | | | Green | | | | | | Dim. A | | | Dim. B | | | Dim. C | | | | | |
| | | 100% Tin | | | 50/50 Gold | | | 100% Tin | | | 50/50 Gold | | | mm | | inch | | mm | | inch | | mm | | inch | |
| | | Printing Options | | | Printing Options | | | Printing Options | | | Printing Options | | | | | | | | | | | | | | |
| | | None | 10PW | 11AV | None | 10PW | 11AV | None | 10PW | 11AV | None | 10PW | 11AV | mm | inch | mm | inch | mm | inch | mm | inch | | | | |
| 5.0mm. Euro Header, Vertical, Mounting Ends, High Temp | 2 | 395254002 | 395254302 | 395254402 | 395254502 | 395254602 | 395254702 | 395259002 | 395259302 | 395259402 | 395259502 | 395259602 | 395259702 | 20.00 | 0.787 | 5.00 | 0.197 | 15.00 | 0.591 | | | | | | |
| 5.0mm. Euro Header, Vertical, Mounting Ends, High Temp | 3 | 395254003 | 395254303 | 395254403 | 395254503 | 395254603 | 395254703 | 395259003 | 395259303 | 395259403 | 395259503 | 395259603 | 395259703 | 25.00 | 0.984 | 10.00 | 0.394 | 20.00 | 0.787 | | | | | | |
| 5.0mm. Euro Header, Vertical, Mounting Ends, High Temp | 4 | 395254004 | 395254304 | 395254404 | 395254504 | 395254604 | 395254704 | 395259004 | 395259304 | 395259404 | 395259504 | 395259604 | 395259704 | 30.00 | 1.181 | 15.00 | 0.591 | 25.00 | 0.984 | | | | | | |
| 5.0mm. Euro Header, Vertical, Mounting Ends, High Temp | 5 | 395254005 | 395254305 | 395254405 | 395254505 | 395254605 | 395254705 | 395259005 | 395259305 | 395259405 | 395259505 | 395259605 | 395259705 | 35.00 | 1.378 | 20.00 | 0.787 | 30.00 | 1.181 | | | | | | |
| 5.0mm. Euro Header, Vertical, Mounting Ends, High Temp | 6 | 395254006 | 395254306 | 395254406 | 395254506 | 395254606 | 395254706 | 395259006 | 395259306 | 395259406 | 395259506 | 395259606 | 395259706 | 40.00 | 1.575 | 25.00 | 0.984 | 35.00 | 1.378 | | | | | | |
| 5.0mm. Euro Header, Vertical, Mounting Ends, High Temp | 7 | 395254007 | 395254307 | 395254407 | 395254507 | 395254607 | 395254707 | 395259007 | 395259307 | 395259407 | 395259507 | 395259607 | 395259707 | 45.00 | 1.772 | 30.00 | 1.181 | 40.00 | 1.575 | | | | | | |
| 5.0mm. Euro Header, Vertical, Mounting Ends, High Temp | 8 | 395254008 | 395254308 | 395254408 | 395254508 | 395254608 | 395254708 | 395259008 | 395259308 | 395259408 | 395259508 | 395259608 | 395259708 | 50.00 | 1.969 | 35.00 | 1.378 | 45.00 | 1.772 | | | | | | |
| 5.0mm. Euro Header, Vertical, Mounting Ends, High Temp | 9 | 395254009 | 395254309 | 395254409 | 395254509 | 395254609 | 395254709 | 395259009 | 395259309 | 395259409 | 395259509 | 395259609 | 395259709 | 55.00 | 2.166 | 40.00 | 1.575 | 50.00 | 1.969 | | | | | | |
| 5.0mm. Euro Header, Vertical, Mounting Ends, High Temp | 10 | 395254010 | 395254310 | 395254410 | 395254510 | 395254610 | 395254710 | 395259010 | 395259310 | 395259410 | 395259510 | 395259610 | 395259710 | 60.00 | 2.362 | 45.00 | 1.772 | 55.00 | 2.166 | | | | | | |
| 5.0mm. Euro Header, Vertical, Mounting Ends, High Temp | 11 | 395254011 | 395254311 | 395254411 | 395254511 | 395254611 | 395254711 | 395259011 | 395259311 | 395259411 | 395259511 | 395259611 | 395259711 | 65.00 | 2.559 | 50.00 | 1.969 | 60.00 | 2.362 | | | | | | |
| 5.0mm. Euro Header, Vertical, Mounting Ends, High Temp | 12 | 395254012 | 395254312 | 395254412 | 395254512 | 395254612 | 395254712 | 395259012 | 395259312 | 395259412 | 395259512 | 395259612 | 395259712 | 70.00 | 2.756 | 55.00 | 2.166 | 65.00 | 2.559 | | | | | | |
| 5.0mm. Euro Header, Vertical, Mounting Ends, High Temp | 13 | 395254013 | 395254313 | 395254413 | 395254513 | 395254613 | 395254713 | 395259013 | 395259313 | 395259413 | 395259513 | 395259613 | 395259713 | 75.00 | 2.953 | 60.00 | 2.362 | 70.00 | 2.756 | | | | | | |
| 5.0mm. Euro Header, Vertical, Mounting Ends, High Temp | 14 | 395254014 | 395254314 | 395254414 | 395254514 | 395254614 | 395254714 | 395259014 | 395259314 | 395259414 | 395259514 | 395259614 | 395259714 | 80.00 | 3.150 | 65.00 | 2.559 | 75.00 | 2.953 | | | | | | |
| 5.0mm. Euro Header, Vertical, Mounting Ends, High Temp | 15 | 395254015 | 395254315 | 395254415 | 395254515 | 395254615 | 395254715 | 395259015 | 395259315 | 395259415 | 395259515 | 395259615 | 395259715 | 85.00 | 3.347 | 70.00 | 2.756 | 80.00 | 3.150 | | | | | | |
| 5.0mm. Euro Header, Vertical, Mounting Ends, High Temp | 16 | 395254016 | 395254316 | 395254416 | 395254516 | 395254616 | 395254716 | 395259016 | 395259316 | 395259416 | 395259516 | 395259616 | 395259716 | 90.00 | 3.544 | 75.00 | 2.953 | 85.00 | 3.347 | | | | | | |
| 5.0mm. Euro Header, Vertical, Mounting Ends, High Temp | 17 | 395254017 | 395254317 | 395254417 | 395254517 | 395254617 | 395254717 | 395259017 | 395259317 | 395259417 | 395259517 | 395259617 | 395259717 | 95.00 | 3.741 | 80.00 | 3.150 | 90.00 | 3.544 | | | | | | |
| 5.0mm. Euro Header, Vertical, Mounting Ends, High Temp | 18 | 395254018 | 395254318 | 395254418 | 395254518 | 395254618 | 395254718 | 395259018 | 395259318 | 395259418 | 395259518 | 395259618 | 395259718 | 100.00 | 3.938 | 85.00 | 3.347 | 95.00 | 3.741 | | | | | | |
| 5.0mm. Euro Header, Vertical, Mounting Ends, High Temp | 19 | 395254019 | 395254319 | 395254419 | 395254519 | 395254619 | 395254719 | 395259019 | 395259319 | 395259419 | 395259519 | 395259619 | 395259719 | 105.00 | 4.135 | 90.00 | 3.544 | 100.00 | 3.938 | | | | | | |
| 5.0mm. Euro Header, Vertical, Mounting Ends, High Temp | 20 | 395254020 | 395254320 | 395254420 | 395254520 | 395254620 | 395254720 | 395259020 | 395259320 | 395259420 | 395259520 | 395259620 | 395259720 | 110.00 | 4.331 | 95.00 | 3.741 | 105.00 | 4.135 | | | | | | |
| 5.0mm. Euro Header, Vertical, Mounting Ends, High Temp | 21 | 395254021 | 395254321 | 395254421 | 395254521 | 395254621 | 395254721 | 395259021 | 395259321 | 395259421 | 395259521 | 395259621 | 395259721 | 115.00 | 4.528 | 100.00 | 3.937 | 110.00 | 4.331 | | | | | | |
| 5.0mm. Euro Header, Vertical, Mounting Ends, High Temp | 22 | 395254022 | 395254322 | 395254422 | 395254522 | 395254622 | 395254722 | 395259022 | 395259322 | 395259422 | 395259522 | 395259622 | 395259722 | 120.00 | 4.724 | 105.00 | 4.134 | 115.00 | 4.528 | | | | | | |
| 5.0mm. Euro Header, Vertical, Mounting Ends, High Temp | 23 | 395254023 | 395254323 | 395254423 | 395254523 | 395254623 | 395254723 | 395259023 | 395259323 | 395259423 | 395259523 | 395259623 | 395259723 | 125.00 | 4.921 | 110.00 | 4.331 | 120.00 | 4.724 | | | | | | |
| 5.0mm. Euro Header, Vertical, Mounting Ends, High Temp | 24 | 395254024 | 395254324 | 395254424 | 395254524 | 395254624 | 395254724 | 395259024 | 395259324 | 395259424 | 395259524 | 395259624 | 395259724 | 130.00 | 5.118 | 115.00 | 4.528 | 125.00 | 4.921 | | | | | | |

| | | | | | | |
|-----------------------------------------------------------------------------------------------------------------------------------------|------------------------------------------------------|---------------------------------------|-------------------------------------------------------------------------------------------------------------------------------|------------------------------------------------|--------------|------------------------|
| SEE SHEET 1 EC NO: PG2015-0765 DRAWINGSTONE 2014/10/27 CHYKOB ARDEN 2014/10/31 APPRO: JMDRBYH 2014/11/06 REV DESCRIPTION | QUALITY SYMBOLS | GENERAL TOLERANCES (UNLESS SPECIFIED) | DIMENSION STYLE | SCALE | DESIGN UNITS | THIRD ANGLE PROJECTION |
| | ▽=0 | mm INCH | MM/IN | 1:1 | INCH | |
| | ▽=0 | 4 PLACES ± --- ± .0015 | DRAWN BY DATE | TITLE | | |
| | | 3 PLACES ± 0.038 ± .005 | LROTHAUS 12/16/05 | 5.0MM, EURO HEADER, VERTICAL, HI-TEMP MOUNTING | | |
| | 2 PLACES ± 0.13 ± .01 | CHECKED BY DATE | molex | | | |
| | 1 PLACE ± 0.3 ± --- | C. YORK 01/06/06 | SD-39525-001 | | | |
| | 0 PLACE ± ± | APPROVED BY DATE | SHEET NO. 2 OF 2 | | | |
| | ANGULAR ± 2 ° | MATERIAL NO. DOCUMENT NO. | THIS DRAWING CONTAINS INFORMATION THAT IS PROPRIETARY TO MOLEX INCORPORATED AND SHOULD NOT BE USED WITHOUT WRITTEN PERMISSION | | | |
| | DRAFT WHERE APPLICABLE MUST REMAIN WITHIN DIMENSIONS | SEE CHART | | | | |

10 9 8 7 6 5 4 3 2 1

| Description | Circuit size | Material Numbers | | | | | | | | | | | | Dimensional Information | | | | | | | |
|--------------------------------------------------------|--------------|------------------|-----------|-----------|------------------|-----------|-----------|------------------|-----------|-----------|------------------|-----------|-----------|-------------------------|-----------|--------|-------|--------|-------|--------|-------|
| | | Black | | | | | | Green | | | | | | Dim. A | Dim B | Dim. C | | | | | |
| | | 100% Tin | | | 30 u" Gold | | | 100% Tin | | | 30 u" Gold | | | | | | | | | | |
| | | Printing Options | | | Printing Options | | | Printing Options | | | Printing Options | | | mm | inch | mm | | | | | |
| None | 10AV | 11AV | None | 10AV | 11AV | None | 10AV | 11AV | None | 10AV | 11AV | None | 10AV | 11AV | mm | inch | mm | | | | |
| 5.0mm, Euro Header, Vertical, Mounting Ends, High Temp | 2 | 395254002 | 395254302 | 395254402 | 395254502 | 395254602 | 395254702 | 395254802 | 395254902 | 395255002 | 395255102 | 395255202 | 395255302 | 395255402 | 395255502 | 20.00 | 0.787 | 5.00 | 0.197 | 15.00 | 0.591 |
| 5.0mm, Euro Header, Vertical, Mounting Ends, High Temp | 3 | 395254003 | 395254303 | 395254403 | 395254503 | 395254603 | 395254703 | 395254803 | 395254903 | 395255003 | 395255103 | 395255203 | 395255303 | 395255403 | 395255503 | 25.00 | 0.984 | 10.00 | 0.394 | 20.00 | 0.787 |
| 5.0mm, Euro Header, Vertical, Mounting Ends, High Temp | 4 | 395254004 | 395254304 | 395254404 | 395254504 | 395254604 | 395254704 | 395254804 | 395254904 | 395255004 | 395255104 | 395255204 | 395255304 | 395255404 | 395255504 | 30.00 | 1.181 | 15.00 | 0.591 | 25.00 | 0.984 |
| 5.0mm, Euro Header, Vertical, Mounting Ends, High Temp | 5 | 395254005 | 395254305 | 395254405 | 395254505 | 395254605 | 395254705 | 395254805 | 395254905 | 395255005 | 395255105 | 395255205 | 395255305 | 395255405 | 395255505 | 35.00 | 1.378 | 20.00 | 0.787 | 30.00 | 1.181 |
| 5.0mm, Euro Header, Vertical, Mounting Ends, High Temp | 6 | 395254006 | 395254306 | 395254406 | 395254506 | 395254606 | 395254706 | 395254806 | 395254906 | 395255006 | 395255106 | 395255206 | 395255306 | 395255406 | 395255506 | 40.00 | 1.575 | 25.00 | 0.984 | 35.00 | 1.378 |
| 5.0mm, Euro Header, Vertical, Mounting Ends, High Temp | 7 | 395254007 | 395254307 | 395254407 | 395254507 | 395254607 | 395254707 | 395254807 | 395254907 | 395255007 | 395255107 | 395255207 | 395255307 | 395255407 | 395255507 | 45.00 | 1.772 | 30.00 | 1.181 | 40.00 | 1.575 |
| 5.0mm, Euro Header, Vertical, Mounting Ends, High Temp | 8 | 395254008 | 395254308 | 395254408 | 395254508 | 395254608 | 395254708 | 395254808 | 395254908 | 395255008 | 395255108 | 395255208 | 395255308 | 395255408 | 395255508 | 50.00 | 1.969 | 35.00 | 1.378 | 45.00 | 1.772 |
| 5.0mm, Euro Header, Vertical, Mounting Ends, High Temp | 9 | 395254009 | 395254309 | 395254409 | 395254509 | 395254609 | 395254709 | 395254809 | 395254909 | 395255009 | 395255109 | 395255209 | 395255309 | 395255409 | 395255509 | 55.00 | 2.165 | 40.00 | 1.575 | 50.00 | 1.969 |
| 5.0mm, Euro Header, Vertical, Mounting Ends, High Temp | 10 | 395254010 | 395254310 | 395254410 | 395254510 | 395254610 | 395254710 | 395254810 | 395254910 | 395255010 | 395255110 | 395255210 | 395255310 | 395255410 | 395255510 | 60.00 | 2.362 | 45.00 | 1.772 | 55.00 | 2.165 |
| 5.0mm, Euro Header, Vertical, Mounting Ends, High Temp | 11 | 395254011 | 395254311 | 395254411 | 395254511 | 395254611 | 395254711 | 395254811 | 395254911 | 395255011 | 395255111 | 395255211 | 395255311 | 395255411 | 395255511 | 65.00 | 2.559 | 50.00 | 1.969 | 60.00 | 2.362 |
| 5.0mm, Euro Header, Vertical, Mounting Ends, High Temp | 12 | 395254012 | 395254312 | 395254412 | 395254512 | 395254612 | 395254712 | 395254812 | 395254912 | 395255012 | 395255112 | 395255212 | 395255312 | 395255412 | 395255512 | 70.00 | 2.756 | 55.00 | 2.165 | 65.00 | 2.559 |
| 5.0mm, Euro Header, Vertical, Mounting Ends, High Temp | 13 | 395254013 | 395254313 | 395254413 | 395254513 | 395254613 | 395254713 | 395254813 | 395254913 | 395255013 | 395255113 | 395255213 | 395255313 | 395255413 | 395255513 | 75.00 | 2.953 | 60.00 | 2.362 | 70.00 | 2.756 |
| 5.0mm, Euro Header, Vertical, Mounting Ends, High Temp | 14 | 395254014 | 395254314 | 395254414 | 395254514 | 395254614 | 395254714 | 395254814 | 395254914 | 395255014 | 395255114 | 395255214 | 395255314 | 395255414 | 395255514 | 80.00 | 3.150 | 65.00 | 2.559 | 75.00 | 2.953 |
| 5.0mm, Euro Header, Vertical, Mounting Ends, High Temp | 15 | 395254015 | 395254315 | 395254415 | 395254515 | 395254615 | 395254715 | 395254815 | 395254915 | 395255015 | 395255115 | 395255215 | 395255315 | 395255415 | 395255515 | 85.00 | 3.347 | 70.00 | 2.756 | 80.00 | 3.150 |
| 5.0mm, Euro Header, Vertical, Mounting Ends, High Temp | 16 | 395254016 | 395254316 | 395254416 | 395254516 | 395254616 | 395254716 | 395254816 | 395254916 | 395255016 | 395255116 | 395255216 | 395255316 | 395255416 | 395255516 | 90.00 | 3.543 | 75.00 | 2.953 | 85.00 | 3.347 |
| 5.0mm, Euro Header, Vertical, Mounting Ends, High Temp | 17 | 395254017 | 395254317 | 395254417 | 395254517 | 395254617 | 395254717 | 395254817 | 395254917 | 395255017 | 395255117 | 395255217 | 395255317 | 395255417 | 395255517 | 95.00 | 3.740 | 80.00 | 3.150 | 90.00 | 3.543 |
| 5.0mm, Euro Header, Vertical, Mounting Ends, High Temp | 18 | 395254018 | 395254318 | 395254418 | 395254518 | 395254618 | 395254718 | 395254818 | 395254918 | 395255018 | 395255118 | 395255218 | 395255318 | 395255418 | 395255518 | 100.00 | 3.937 | 85.00 | 3.347 | 95.00 | 3.740 |
| 5.0mm, Euro Header, Vertical, Mounting Ends, High Temp | 19 | 395254019 | 395254319 | 395254419 | 395254519 | 395254619 | 395254719 | 395254819 | 395254919 | 395255019 | 395255119 | 395255219 | 395255319 | 395255419 | 395255519 | 105.00 | 4.134 | 90.00 | 3.543 | 100.00 | 3.937 |
| 5.0mm, Euro Header, Vertical, Mounting Ends, High Temp | 20 | 395254020 | 395254320 | 395254420 | 395254520 | 395254620 | 395254720 | 395254820 | 395254920 | 395255020 | 395255120 | 395255220 | 395255320 | 395255420 | 395255520 | 110.00 | 4.331 | 95.00 | 3.740 | 105.00 | 4.134 |
| 5.0mm, Euro Header, Vertical, Mounting Ends, High Temp | 21 | 395254021 | 395254321 | 395254421 | 395254521 | 395254621 | 395254721 | 395254821 | 395254921 | 395255021 | 395255121 | 395255221 | 395255321 | 395255421 | 395255521 | 115.00 | 4.528 | 100.00 | 3.937 | 110.00 | 4.331 |
| 5.0mm, Euro Header, Vertical, Mounting Ends, High Temp | 22 | 395254022 | 395254322 | 395254422 | 395254522 | 395254622 | 395254722 | 395254822 | 395254922 | 395255022 | 395255122 | 395255222 | 395255322 | 395255422 | 395255522 | 120.00 | 4.724 | 105.00 | 4.134 | 115.00 | 4.528 |
| 5.0mm, Euro Header, Vertical, Mounting Ends, High Temp | 23 | 395254023 | 395254323 | 395254423 | 395254523 | 395254623 | 395254723 | 395254823 | 395254923 | 395255023 | 395255123 | 395255223 | 395255323 | 395255423 | 395255523 | 125.00 | 4.921 | 110.00 | 4.331 | 120.00 | 4.724 |
| 5.0mm, Euro Header, Vertical, Mounting Ends, High Temp | 24 | 395254024 | 395254324 | 395254424 | 395254524 | 395254624 | 395254724 | 395254824 | 395254924 | 395255024 | 395255124 | 395255224 | 395255324 | 395255424 | 395255524 | 130.00 | 5.118 | 115.00 | 4.528 | 125.00 | 4.921 |

| | | | | | | | | |
|--------------------------------------------------------------------------------------------------------------------------------------|-------------------------------|---------------------------------------------------------------------------------------------------|---------------------|-------------------------------------------------------------------------------------------------------------------------------|---------------------------------------------|-----------------------------------------------------------|----------------------|------------------------|
| SEE SHEET 1 IEC NO. NE02006-0310 DRAWN BY: ROTHHAUS CHKD: YORK APPR: JIPAWL/CK 2006/01/08 2006/01/08 2006/01/10 | QUALITY SYMBOLS ▽=0 ▽=0 | GENERAL TOLERANCES (UNLESS SPECIFIED) | | DIMENSION STYLE MM/IN | | SCALE 4:1 | DESIGN UNITS INCH | THIRD ANGLE PROJECTION |
| | | 4 PLACES ± --- ± .0015 3 PLACES ± 0.038 ± .005 2 PLACES ± 0.13 ± .01 1 PLACE ± 0.3 ± --- | mm INCH | DRAWN BY ROTHHAUS CHECKED BY YORK APPROVED BY | DATE 12/6/05 DATE 01/06/06 DATE | TITLE 5.0MM, EURO HEADER, VERTICAL, HIGH-TEMP MOUNTING | MOLEX INCORPORATED | |
| DRAFT WHERE APPLICABLE MUST REMAIN WITHIN DIMENSIONS | MATERIAL NO. SEE CHART | DOCUMENT NO. SD-39525-001 | SHEET NO. 2 OF 2 | THIS DRAWING CONTAINS INFORMATION THAT IS PROPRIETARY TO MOLEX INCORPORATED AND SHOULD NOT BE USED WITHOUT WRITTEN PERMISSION | | | | |

9 8 7 6 5 4 3 2 1