

## Excellent Integrated System Limited

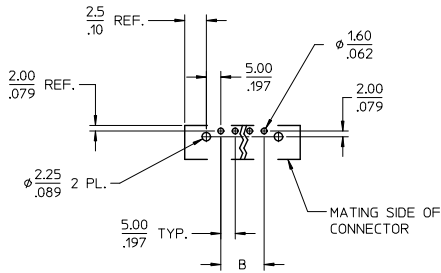
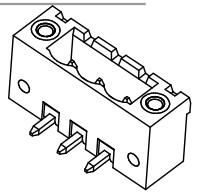
Stocking Distributor

Click to view price, real time Inventory, Delivery & Lifecycle Information:

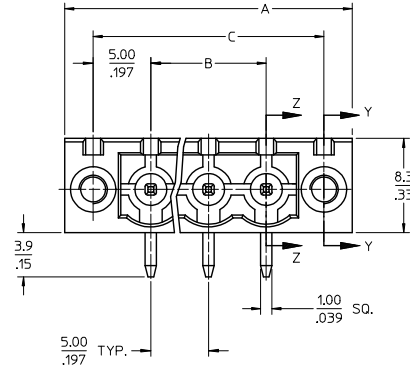
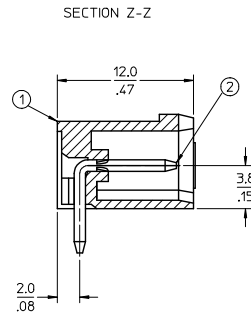
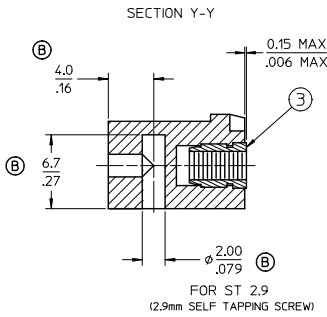
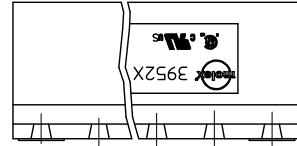
[Molex Connector Corporation](#)  
[0395260021](#)

For any questions, you can email us directly:

[sales@integrated-circuit.com](mailto:sales@integrated-circuit.com)



Ⓑ PCB LAYOUT



**SPECIFICATIONS:**

1. Material:
  - (1). Body: PA66
  - (2). Pin: Brass
  - (3). Threaded insert: Brass
2. Wire range: N/A
3. Electrical rating: 300V, 15A
4. Wire strip length: N/A
5. Operating temperature: -40C to +105C
6. Max torque: N/A
7. Insulation resistance: DC 500V, 500M
8. Dielectric withstand: AC 2500V for 1 minute
9. Breakdown voltage: 4000V.
10. A = (B + 15.0mm)
11. B = (N - 1) x P
12. C = (B + 10mm)
13. P (PITCH) = 5.0mm (.197")
14. N = Number of positions available 2 through 24
15. Dims shown are for reference only

|  |                                   |   |                                    |                    |              |   |
|--|-----------------------------------|---|------------------------------------|--------------------|--------------|---|
| ADD DIMS & PCB LYT<br>EC NO: IPG2016-1279<br>DRAWN BY: DRWNRSTONE 2016/03/24<br>CHECKED BY: ZHELI INSK 2016/03/28<br>APPROVED BY: 2016/03/25 | QUALITY SYMBOLS                   | GENERAL TOLERANCES (UNLESS SPECIFIED)   | DIMENSION STYLE                    | SCALE              | DESIGN UNITS | THIRD ANGLE PROJECTION                                    |
|  | $\nabla=0$<br>$\sphericalangle=0$ | mm INCH<br>4 PLACES ± --- ± .0015<br>3 PLACES ± 0.038 ± .005<br>2 PLACES ± 0.13 ± .01<br>1 PLACE ± 0.3 ± ---<br>0 PLACE ± ± | MM/IN                              | 4:1                | INCH         | TITLE: 5.0MM, EURO HEADER, RIGHT ANGLE, MOUNTING<br>molex |
|  | DESCRIPTION                       | ANGULAR ± 2°  | DRAWN BY: LROTHAUS DATE: 12/6/05   | MATERIAL NO.       | DOCUMENT NO. | SHEET NO.   |
|  | REV                               | DRAFT WHERE APPLICABLE MUST REMAIN WITHIN DIMENSIONS  | CHECKED BY: C. YORK DATE: 01/06/06 | APPROVED BY: DATE: | SD-39526-002 | 1 OF 2  |

10 9 8 7 6 5 4 3 2 39526

| Description                                 | Circuit Size | Material Numbers |           |           |             |           |           |           |           |           |             |           |           | Dimensional Information |           |           |           |           |        |       |        |       |        |       |
|---|--------------|------------------|-----------|-----------|-------------|-----------|-----------|-----------|-----------|-----------|-------------|-----------|-----------|-------------------------|-----------|-----------|-----------|-----------|--------|-------|--------|-------|--------|-------|
|   |              | Black            |           |           | 50U of Gold |           |           | Green     |           |           | 50U of Gold |           |           | Dim A                   |           | Dim B     |           | Dim C     |        |       |        |       |        |       |
|   |              | 100% In          |           |           | 100% In     |           |           | 100% In   |           |           | 100% In     |           |           | mm                      | inch      | mm        | inch      | mm        | inch   |       |        |       |        |       |
| 5.0mm Euro Header Right Angle Mounting Ends | 2            | 395260007        | 395260107 | 395260207 | 395260307   | 395260407 | 395260507 | 395260607 | 395260707 | 395260807 | 395260907   | 395261007 | 395261107 | 395261207               | 395261307 | 395261407 | 395261507 | 395261607 | 20.00  | 0.787 | 5.00   | 0.197 | 15.00  | 0.591 |
| 5.0mm Euro Header Right Angle Mounting Ends | 3            | 395260008        | 395260108 | 395260208 | 395260308   | 395260408 | 395260508 | 395260608 | 395260708 | 395260808 | 395260908   | 395261008 | 395261108 | 395261208               | 395261308 | 395261408 | 395261508 | 395261608 | 25.00  | 0.984 | 10.00  | 0.394 | 20.00  | 0.787 |
| 5.0mm Euro Header Right Angle Mounting Ends | 4            | 395260009        | 395260109 | 395260209 | 395260309   | 395260409 | 395260509 | 395260609 | 395260709 | 395260809 | 395260909   | 395261009 | 395261109 | 395261209               | 395261309 | 395261409 | 395261509 | 395261609 | 30.00  | 1.181 | 15.00  | 0.591 | 25.00  | 0.984 |
| 5.0mm Euro Header Right Angle Mounting Ends | 5            | 395260010        | 395260110 | 395260210 | 395260310   | 395260410 | 395260510 | 395260610 | 395260710 | 395260810 | 395260910   | 395261010 | 395261110 | 395261210               | 395261310 | 395261410 | 395261510 | 395261610 | 35.00  | 1.378 | 20.00  | 0.787 | 30.00  | 1.181 |
| 5.0mm Euro Header Right Angle Mounting Ends | 6            | 395260011        | 395260111 | 395260211 | 395260311   | 395260411 | 395260511 | 395260611 | 395260711 | 395260811 | 395260911   | 395261011 | 395261111 | 395261211               | 395261311 | 395261411 | 395261511 | 395261611 | 40.00  | 1.575 | 25.00  | 0.984 | 35.00  | 1.378 |
| 5.0mm Euro Header Right Angle Mounting Ends | 7            | 395260012        | 395260112 | 395260212 | 395260312   | 395260412 | 395260512 | 395260612 | 395260712 | 395260812 | 395260912   | 395261012 | 395261112 | 395261212               | 395261312 | 395261412 | 395261512 | 395261612 | 45.00  | 1.772 | 30.00  | 1.181 | 40.00  | 1.575 |
| 5.0mm Euro Header Right Angle Mounting Ends | 8            | 395260013        | 395260113 | 395260213 | 395260313   | 395260413 | 395260513 | 395260613 | 395260713 | 395260813 | 395260913   | 395261013 | 395261113 | 395261213               | 395261313 | 395261413 | 395261513 | 395261613 | 50.00  | 1.969 | 35.00  | 1.378 | 45.00  | 1.772 |
| 5.0mm Euro Header Right Angle Mounting Ends | 9            | 395260014        | 395260114 | 395260214 | 395260314   | 395260414 | 395260514 | 395260614 | 395260714 | 395260814 | 395260914   | 395261014 | 395261114 | 395261214               | 395261314 | 395261414 | 395261514 | 395261614 | 55.00  | 2.166 | 40.00  | 1.575 | 50.00  | 1.969 |
| 5.0mm Euro Header Right Angle Mounting Ends | 10           | 395260015        | 395260115 | 395260215 | 395260315   | 395260415 | 395260515 | 395260615 | 395260715 | 395260815 | 395260915   | 395261015 | 395261115 | 395261215               | 395261315 | 395261415 | 395261515 | 395261615 | 60.00  | 2.363 | 45.00  | 1.772 | 55.00  | 2.166 |
| 5.0mm Euro Header Right Angle Mounting Ends | 11           | 395260016        | 395260116 | 395260216 | 395260316   | 395260416 | 395260516 | 395260616 | 395260716 | 395260816 | 395260916   | 395261016 | 395261116 | 395261216               | 395261316 | 395261416 | 395261516 | 395261616 | 65.00  | 2.560 | 50.00  | 1.969 | 60.00  | 2.363 |
| 5.0mm Euro Header Right Angle Mounting Ends | 12           | 395260017        | 395260117 | 395260217 | 395260317   | 395260417 | 395260517 | 395260617 | 395260717 | 395260817 | 395260917   | 395261017 | 395261117 | 395261217               | 395261317 | 395261417 | 395261517 | 395261617 | 70.00  | 2.757 | 55.00  | 2.166 | 65.00  | 2.560 |
| 5.0mm Euro Header Right Angle Mounting Ends | 13           | 395260018        | 395260118 | 395260218 | 395260318   | 395260418 | 395260518 | 395260618 | 395260718 | 395260818 | 395260918   | 395261018 | 395261118 | 395261218               | 395261318 | 395261418 | 395261518 | 395261618 | 75.00  | 2.954 | 60.00  | 2.363 | 70.00  | 2.757 |
| 5.0mm Euro Header Right Angle Mounting Ends | 14           | 395260019        | 395260119 | 395260219 | 395260319   | 395260419 | 395260519 | 395260619 | 395260719 | 395260819 | 395260919   | 395261019 | 395261119 | 395261219               | 395261319 | 395261419 | 395261519 | 395261619 | 80.00  | 3.151 | 65.00  | 2.560 | 75.00  | 2.954 |
| 5.0mm Euro Header Right Angle Mounting Ends | 15           | 395260020        | 395260120 | 395260220 | 395260320   | 395260420 | 395260520 | 395260620 | 395260720 | 395260820 | 395260920   | 395261020 | 395261120 | 395261220               | 395261320 | 395261420 | 395261520 | 395261620 | 85.00  | 3.348 | 70.00  | 2.757 | 80.00  | 3.151 |
| 5.0mm Euro Header Right Angle Mounting Ends | 16           | 395260021        | 395260121 | 395260221 | 395260321   | 395260421 | 395260521 | 395260621 | 395260721 | 395260821 | 395260921   | 395261021 | 395261121 | 395261221               | 395261321 | 395261421 | 395261521 | 395261621 | 90.00  | 3.545 | 75.00  | 2.954 | 85.00  | 3.348 |
| 5.0mm Euro Header Right Angle Mounting Ends | 17           | 395260022        | 395260122 | 395260222 | 395260322   | 395260422 | 395260522 | 395260622 | 395260722 | 395260822 | 395260922   | 395261022 | 395261122 | 395261222               | 395261322 | 395261422 | 395261522 | 395261622 | 95.00  | 3.742 | 80.00  | 3.151 | 90.00  | 3.545 |
| 5.0mm Euro Header Right Angle Mounting Ends | 18           | 395260023        | 395260123 | 395260223 | 395260323   | 395260423 | 395260523 | 395260623 | 395260723 | 395260823 | 395260923   | 395261023 | 395261123 | 395261223               | 395261323 | 395261423 | 395261523 | 395261623 | 100.00 | 3.939 | 85.00  | 3.348 | 95.00  | 3.742 |
| 5.0mm Euro Header Right Angle Mounting Ends | 19           | 395260024        | 395260124 | 395260224 | 395260324   | 395260424 | 395260524 | 395260624 | 395260724 | 395260824 | 395260924   | 395261024 | 395261124 | 395261224               | 395261324 | 395261424 | 395261524 | 395261624 | 105.00 | 4.136 | 90.00  | 3.545 | 100.00 | 3.939 |
| 5.0mm Euro Header Right Angle Mounting Ends | 20           | 395260025        | 395260125 | 395260225 | 395260325   | 395260425 | 395260525 | 395260625 | 395260725 | 395260825 | 395260925   | 395261025 | 395261125 | 395261225               | 395261325 | 395261425 | 395261525 | 395261625 | 110.00 | 4.333 | 95.00  | 3.742 | 105.00 | 4.136 |
| 5.0mm Euro Header Right Angle Mounting Ends | 21           | 395260026        | 395260126 | 395260226 | 395260326   | 395260426 | 395260526 | 395260626 | 395260726 | 395260826 | 395260926   | 395261026 | 395261126 | 395261226               | 395261326 | 395261426 | 395261526 | 395261626 | 115.00 | 4.530 | 100.00 | 3.939 | 110.00 | 4.333 |
| 5.0mm Euro Header Right Angle Mounting Ends | 22           | 395260027        | 395260127 | 395260227 | 395260327   | 395260427 | 395260527 | 395260627 | 395260727 | 395260827 | 395260927   | 395261027 | 395261127 | 395261227               | 395261327 | 395261427 | 395261527 | 395261627 | 120.00 | 4.727 | 105.00 | 4.136 | 115.00 | 4.530 |
| 5.0mm Euro Header Right Angle Mounting Ends | 23           | 395260028        | 395260128 | 395260228 | 395260328   | 395260428 | 395260528 | 395260628 | 395260728 | 395260828 | 395260928   | 395261028 | 395261128 | 395261228               | 395261328 | 395261428 | 395261528 | 395261628 | 125.00 | 4.924 | 110.00 | 4.333 | 120.00 | 4.727 |
| 5.0mm Euro Header Right Angle Mounting Ends | 24           | 395260029        | 395260129 | 395260229 | 395260329   | 395260429 | 395260529 | 395260629 | 395260729 | 395260829 | 395260929   | 395261029 | 395261129 | 395261229               | 395261329 | 395261429 | 395261529 | 395261629 | 130.00 | 5.121 | 115.00 | 4.530 | 125.00 | 4.924 |

|   |                                      |  |  |   |   |  |                             |   |
|---|--------------------------------------|--|--|---|---|--|-----------------------------|---|
| <b>SHT-2 WAS ME10 DOC</b><br>EC NO: PG2016-1279<br>DRAWN BY: DRINKSTONE<br>CHKD BY: LELI INSK 2016/03/28<br>APPROVED BY: 2016/03/25 | <b>QUALITY SYMBOLS</b><br>▽=0<br>▷=0 | <b>GENERAL TOLERANCES (UNLESS SPECIFIED)</b>   |  | <b>DIMENSION STYLE</b><br>MM/IN                           |   | <b>SCALE</b><br>1:1  | <b>DESIGN UNITS</b><br>INCH | <b>THIRD ANGLE PROJECTION</b>   |
|   |                                      | 4 PLACES ± --- ± .0015<br>3 PLACES ± 0.038 ± .005<br>2 PLACES ± 0.13 ± .01<br>1 PLACE ± 0.3 ± ---<br>0 PLACE ± ± | mm INCH<br>± --- ± .0015<br>± 0.038 ± .005<br>± 0.13 ± .01<br>± 0.3 ± ---<br>± ± | DRAWN BY: LROTHAUS<br>CHECKED BY: C. YORK<br>APPROVED BY: | DATE: 12/16/05<br>DATE: 01/06/06<br>DATE: | <b>TITLE</b><br>5.0MM, EURO HEADER,<br>RIGHT ANGLE, MOUNTING |                             |   |
| <b>REVISIONS</b><br>ANGLE ± 2°<br>DRAFT WHERE APPLICABLE<br>MUST REMAIN WITHIN DIMENSIONS   |                                      | <b>MATERIAL NO.</b><br>SEE CHART   |  | <b>DOCUMENT NO.</b><br>SD-39526-002                       |   | <b>SHEET NO.</b><br>2 OF 2                                   |                             | THIS DRAWING CONTAINS INFORMATION THAT IS PROPRIETARY TO MOLEX INCORPORATED AND SHOULD NOT BE USED WITHOUT WRITTEN PERMISSION |

16\_Frame\_B\_P\_AM\_T 9 8 7 6 5 4 3 2 1 Rev E1 2012/01/25

10 9 8 7 6 5 4 3 2 1

| Description                                    | Circuit size | Material Numbers |           |           |                  |           |           |                  |           |           |                  |           |           | Dimensional Information |       |        |       |        |       |
|--|--------------|------------------|-----------|-----------|------------------|-----------|-----------|------------------|-----------|-----------|------------------|-----------|-----------|-------------------------|-------|--------|-------|--------|-------|
|  |              | Black            |           |           |                  |           |           | Green            |           |           |                  |           |           | Dim. A                  |       | Dim. B |       | Dim. C |       |
|  |              | 100% Tin         |           |           | 30 u' Gold       |           |           | 100% Tin         |           |           | 30 u' Gold       |           |           |                         |       |        |       |        |       |
|  |              | Printing Options |           |           | Printing Options |           |           | Printing Options |           |           | Printing Options |           |           |                         |       |        |       |        |       |
|  |              | None             | 10A       | 11A       | None             | 10A       | 11A       | None             | 10A       | 11A       | None             | 10A       | 11A       | mm                      | inch  | mm     | inch  | mm     | inch  |
| 5.0mm, Euro Header, Right Angle, Mounting Ends | 2            | 395260002        | 395260102 | 395260202 | 395260302        | 395260402 | 395260502 | 395260602        | 395260702 | 395260802 | 395260902        | 395261002 | 395261102 | 20.00                   | 0.787 | 5.00   | 0.197 | 15.00  | 0.591 |
| 5.0mm, Euro Header, Right Angle, Mounting Ends | 3            | 395260003        | 395260103 | 395260203 | 395260303        | 395260403 | 395260503 | 395260603        | 395260703 | 395260803 | 395260903        | 395261003 | 395261103 | 25.00                   | 0.984 | 10.00  | 0.394 | 20.00  | 0.787 |
| 5.0mm, Euro Header, Right Angle, Mounting Ends | 4            | 395260004        | 395260104 | 395260204 | 395260304        | 395260404 | 395260504 | 395260604        | 395260704 | 395260804 | 395260904        | 395261004 | 395261104 | 30.00                   | 1.181 | 15.00  | 0.591 | 25.00  | 0.984 |
| 5.0mm, Euro Header, Right Angle, Mounting Ends | 5            | 395260005        | 395260105 | 395260205 | 395260305        | 395260405 | 395260505 | 395260605        | 395260705 | 395260805 | 395260905        | 395261005 | 395261105 | 35.00                   | 1.378 | 20.00  | 0.787 | 30.00  | 1.181 |
| 5.0mm, Euro Header, Right Angle, Mounting Ends | 6            | 395260006        | 395260106 | 395260206 | 395260306        | 395260406 | 395260506 | 395260606        | 395260706 | 395260806 | 395260906        | 395261006 | 395261106 | 40.00                   | 1.575 | 25.00  | 0.984 | 35.00  | 1.378 |
| 5.0mm, Euro Header, Right Angle, Mounting Ends | 7            | 395260007        | 395260107 | 395260207 | 395260307        | 395260407 | 395260507 | 395260607        | 395260707 | 395260807 | 395260907        | 395261007 | 395261107 | 45.00                   | 1.772 | 30.00  | 1.181 | 40.00  | 1.575 |
| 5.0mm, Euro Header, Right Angle, Mounting Ends | 8            | 395260008        | 395260108 | 395260208 | 395260308        | 395260408 | 395260508 | 395260608        | 395260708 | 395260808 | 395260908        | 395261008 | 395261108 | 50.00                   | 1.969 | 35.00  | 1.378 | 45.00  | 1.772 |
| 5.0mm, Euro Header, Right Angle, Mounting Ends | 9            | 395260009        | 395260109 | 395260209 | 395260309        | 395260409 | 395260509 | 395260609        | 395260709 | 395260809 | 395260909        | 395261009 | 395261109 | 55.00                   | 2.166 | 40.00  | 1.575 | 50.00  | 1.969 |
| 5.0mm, Euro Header, Right Angle, Mounting Ends | 10           | 395260010        | 395260110 | 395260210 | 395260310        | 395260410 | 395260510 | 395260610        | 395260710 | 395260810 | 395260910        | 395261010 | 395261110 | 60.00                   | 2.362 | 45.00  | 1.772 | 55.00  | 2.166 |
| 5.0mm, Euro Header, Right Angle, Mounting Ends | 11           | 395260011        | 395260111 | 395260211 | 395260311        | 395260411 | 395260511 | 395260611        | 395260711 | 395260811 | 395260911        | 395261011 | 395261111 | 65.00                   | 2.559 | 50.00  | 1.969 | 60.00  | 2.362 |
| 5.0mm, Euro Header, Right Angle, Mounting Ends | 12           | 395260012        | 395260112 | 395260212 | 395260312        | 395260412 | 395260512 | 395260612        | 395260712 | 395260812 | 395260912        | 395261012 | 395261112 | 70.00                   | 2.756 | 55.00  | 2.166 | 65.00  | 2.559 |
| 5.0mm, Euro Header, Right Angle, Mounting Ends | 13           | 395260013        | 395260113 | 395260213 | 395260313        | 395260413 | 395260513 | 395260613        | 395260713 | 395260813 | 395260913        | 395261013 | 395261113 | 75.00                   | 2.953 | 60.00  | 2.362 | 70.00  | 2.756 |
| 5.0mm, Euro Header, Right Angle, Mounting Ends | 14           | 395260014        | 395260114 | 395260214 | 395260314        | 395260414 | 395260514 | 395260614        | 395260714 | 395260814 | 395260914        | 395261014 | 395261114 | 80.00                   | 3.150 | 65.00  | 2.559 | 75.00  | 2.953 |
| 5.0mm, Euro Header, Right Angle, Mounting Ends | 15           | 395260015        | 395260115 | 395260215 | 395260315        | 395260415 | 395260515 | 395260615        | 395260715 | 395260815 | 395260915        | 395261015 | 395261115 | 85.00                   | 3.347 | 70.00  | 2.756 | 80.00  | 3.150 |
| 5.0mm, Euro Header, Right Angle, Mounting Ends | 16           | 395260016        | 395260116 | 395260216 | 395260316        | 395260416 | 395260516 | 395260616        | 395260716 | 395260816 | 395260916        | 395261016 | 395261116 | 90.00                   | 3.544 | 75.00  | 2.953 | 85.00  | 3.347 |
| 5.0mm, Euro Header, Right Angle, Mounting Ends | 17           | 395260017        | 395260117 | 395260217 | 395260317        | 395260417 | 395260517 | 395260617        | 395260717 | 395260817 | 395260917        | 395261017 | 395261117 | 95.00                   | 3.741 | 80.00  | 3.150 | 90.00  | 3.544 |
| 5.0mm, Euro Header, Right Angle, Mounting Ends | 18           | 395260018        | 395260118 | 395260218 | 395260318        | 395260418 | 395260518 | 395260618        | 395260718 | 395260818 | 395260918        | 395261018 | 395261118 | 100.00                  | 3.938 | 85.00  | 3.347 | 95.00  | 3.741 |
| 5.0mm, Euro Header, Right Angle, Mounting Ends | 19           | 395260019        | 395260119 | 395260219 | 395260319        | 395260419 | 395260519 | 395260619        | 395260719 | 395260819 | 395260919        | 395261019 | 395261119 | 105.00                  | 4.134 | 90.00  | 3.544 | 100.00 | 3.938 |
| 5.0mm, Euro Header, Right Angle, Mounting Ends | 20           | 395260020        | 395260120 | 395260220 | 395260320        | 395260420 | 395260520 | 395260620        | 395260720 | 395260820 | 395260920        | 395261020 | 395261120 | 110.00                  | 4.331 | 95.00  | 3.741 | 105.00 | 4.134 |
| 5.0mm, Euro Header, Right Angle, Mounting Ends | 21           | 395260021        | 395260121 | 395260221 | 395260321        | 395260421 | 395260521 | 395260621        | 395260721 | 395260821 | 395260921        | 395261021 | 395261121 | 115.00                  | 4.528 | 100.00 | 3.938 | 110.00 | 4.331 |
| 5.0mm, Euro Header, Right Angle, Mounting Ends | 22           | 395260022        | 395260122 | 395260222 | 395260322        | 395260422 | 395260522 | 395260622        | 395260722 | 395260822 | 395260922        | 395261022 | 395261122 | 120.00                  | 4.724 | 105.00 | 4.134 | 115.00 | 4.528 |
| 5.0mm, Euro Header, Right Angle, Mounting Ends | 23           | 395260023        | 395260123 | 395260223 | 395260323        | 395260423 | 395260523 | 395260623        | 395260723 | 395260823 | 395260923        | 395261023 | 395261123 | 125.00                  | 4.921 | 110.00 | 4.331 | 120.00 | 4.724 |
| 5.0mm, Euro Header, Right Angle, Mounting Ends | 24           | 395260024        | 395260124 | 395260224 | 395260324        | 395260424 | 395260524 | 395260624        | 395260724 | 395260824 | 395260924        | 395261024 | 395261124 | 130.00                  | 5.118 | 115.00 | 4.528 | 125.00 | 4.921 |

|   |                               |                                       |                           |                          |                              |   |  |                        |
|---|-------------------------------|---------------------------------------|---------------------------|--------------------------|------------------------------|---|--|------------------------|
| SEE SHEET 1<br>IEC NO. NEO2006-0310<br>DRAWN BY: LROTHAUS<br>CHKD BY: YORK<br>APPR: JFAMILK<br>2006/01/09<br>2006/01/10 | QUALITY SYMBOLS<br>▽=0<br>▽=0 | GENERAL TOLERANCES (UNLESS SPECIFIED) |                           | DIMENSION STYLE<br>MM/IN |                              | SCALE<br>4:1  | DESIGN UNITS<br>INCH                                 | THIRD ANGLE PROJECTION |
|   |                               | 4 PLACES                              | ± ---                     | ± .0015                  | DRAWN BY<br>LROTHAUS         | DATE<br>12/6/05   | TITLE<br>5.0MM, EURO HEADER,<br>RIGH ANGLE, MOUNTING |                        |
|   |                               | 3 PLACES                              | ± 0.038                   | ± .005                   | CHECKED BY<br>C. YORK        | DATE<br>01/04/06  |  |                        |
|   |                               | 2 PLACES                              | ± 0.13                    | ± .01                    | APPROVED BY                  | DATE  |  |                        |
| 1 PLACE   | ± 0.3                         | ± ---                                 | MATERIAL NO.<br>SEE CHART |                          | DOCUMENT NO.<br>SD-39526-002 | SHEET NO.<br>2 OF 2   |  |                        |
| DRAFT WHERE APPLICABLE MUST REMAIN WITHIN DIMENSIONS  |                               | ANGULAR ± 2 °                         |                           | MOLEX INCORPORATED       |                              | THIS DRAWING CONTAINS INFORMATION THAT IS PROPRIETARY TO MOLEX INCORPORATED AND SHOULD NOT BE USED WITHOUT WRITTEN PERMISSION |  |                        |

9 8 7 6 5 4 3 2 1