

## Excellent Integrated System Limited

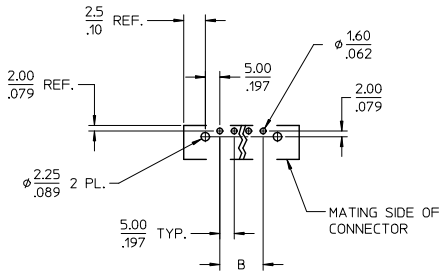
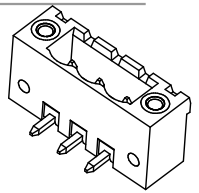
Stocking Distributor

Click to view price, real time Inventory, Delivery & Lifecycle Information:

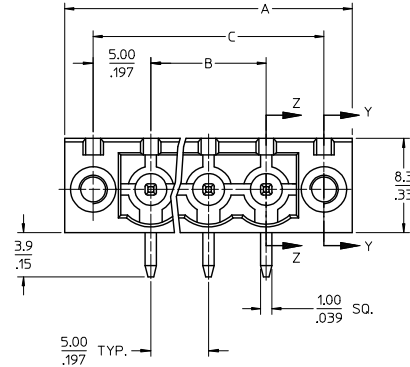
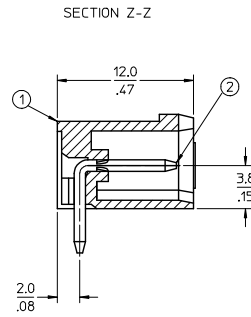
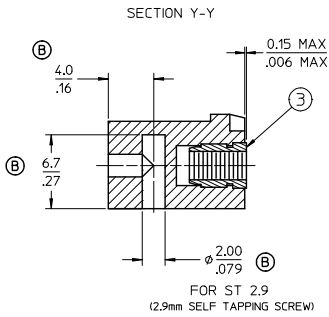
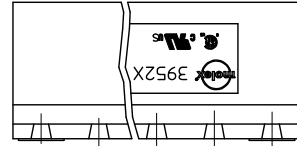
[Molex Connector Corporation](#)  
[0395265014](#)

For any questions, you can email us directly:

[sales@integrated-circuit.com](mailto:sales@integrated-circuit.com)



Ⓑ PCB LAYOUT



**SPECIFICATIONS:**

1. Material:
  - (1). Body: PA66
  - (2). Pin: Brass
  - (3). Threaded insert: Brass
2. Wire range: N/A
3. Electrical rating: 300V, 15A
4. Wire strip length: N/A
5. Operating temperature: -40C to +105C
6. Max torque: N/A
7. Insulation resistance: DC 500V, 500M
8. Dielectric withstand: AC 2500V for 1 minute
9. Breakdown voltage: 4000V.
10. A = (B + 15.0mm)
11. B = (N - 1) x P
12. C = (B + 10mm)
13. P (PITCH) = 5.0mm (.197")
14. N = Number of positions available 2 through 24
15. Dims shown are for reference only

ADD DIMS & PCB LYT EC NO: IPG2016-1279 DRAWN BY: DRWNRSTONE 2016/03/24 CHECKED BY: ZIE LI INSK 2016/03/28 APPROVED BY: 2016/03/25	QUALITY SYMBOLS	GENERAL TOLERANCES (UNLESS SPECIFIED)	DIMENSION STYLE	SCALE	DESIGN UNITS	THIRD ANGLE PROJECTION
	$\nabla=0$ $\sphericalangle=0$	mm INCH 4 PLACES ± --- ± .0015 3 PLACES ± 0.038 ± .005 2 PLACES ± 0.13 ± .01 1 PLACE ± 0.3 ± --- 0 PLACE ± ±	MM/IN	4:1	INCH	
	DESCRIPTION	ANGULAR ± 2°	DRAWN BY: LROTHAUS DATE: 12/6/05	TITLE	5.0MM, EURO HEADER, RIGHT ANGLE, MOUNTING	
	REV	DRAFT WHERE APPLICABLE MUST REMAIN WITHIN DIMENSIONS	CHECKED BY: C. YORK DATE: 01/06/06	MATERIAL NO.	DOCUMENT NO.	SHEET NO.
			SEE SHEET-2	SD-39526-002	1 OF 2	
			THIS DRAWING CONTAINS INFORMATION THAT IS PROPRIETARY TO MOLEX INCORPORATED AND SHOULD NOT BE USED WITHOUT WRITTEN PERMISSION			

10 9 8 7 6 5 4 3 2 39526

Description	Circuit Size	Material Numbers												Dimensional Information								
		Black			50U of Gold			Green			50U of Gold			Dim A		Dim B		Dim C				
		100% In			100% In			100% In			100% In			mm	inch	mm	inch	mm	inch			
5.0mm Euro Header Right Angle Mounting Ends	2	395260007	395260107	395260207	395260307	395260407	395260507	395260607	395260707	395260807	395260907	395261007	395261107	395261207	395261307	395261407	20.00	0.787	5.00	0.197	15.00	0.591
5.0mm Euro Header Right Angle Mounting Ends	3	395260008	395260108	395260208	395260308	395260408	395260508	395260608	395260708	395260808	395260908	395261008	395261108	395261208	395261308	395261408	25.00	0.984	10.00	0.394	20.00	0.787
5.0mm Euro Header Right Angle Mounting Ends	4	395260009	395260109	395260209	395260309	395260409	395260509	395260609	395260709	395260809	395260909	395261009	395261109	395261209	395261309	395261409	30.00	1.181	15.00	0.591	25.00	0.984
5.0mm Euro Header Right Angle Mounting Ends	5	395260010	395260110	395260210	395260310	395260410	395260510	395260610	395260710	395260810	395260910	395261010	395261110	395261210	395261310	395261410	35.00	1.378	20.00	0.787	30.00	1.181
5.0mm Euro Header Right Angle Mounting Ends	6	395260011	395260111	395260211	395260311	395260411	395260511	395260611	395260711	395260811	395260911	395261011	395261111	395261211	395261311	395261411	40.00	1.575	25.00	0.984	35.00	1.378
5.0mm Euro Header Right Angle Mounting Ends	7	395260012	395260112	395260212	395260312	395260412	395260512	395260612	395260712	395260812	395260912	395261012	395261112	395261212	395261312	395261412	45.00	1.772	30.00	1.181	40.00	1.575
5.0mm Euro Header Right Angle Mounting Ends	8	395260013	395260113	395260213	395260313	395260413	395260513	395260613	395260713	395260813	395260913	395261013	395261113	395261213	395261313	395261413	50.00	1.969	35.00	1.378	45.00	1.772
5.0mm Euro Header Right Angle Mounting Ends	9	395260014	395260114	395260214	395260314	395260414	395260514	395260614	395260714	395260814	395260914	395261014	395261114	395261214	395261314	395261414	55.00	2.166	40.00	1.575	50.00	1.969
5.0mm Euro Header Right Angle Mounting Ends	10	395260015	395260115	395260215	395260315	395260415	395260515	395260615	395260715	395260815	395260915	395261015	395261115	395261215	395261315	395261415	60.00	2.363	45.00	1.772	55.00	2.166
5.0mm Euro Header Right Angle Mounting Ends	11	395260016	395260116	395260216	395260316	395260416	395260516	395260616	395260716	395260816	395260916	395261016	395261116	395261216	395261316	395261416	65.00	2.560	50.00	1.969	60.00	2.363
5.0mm Euro Header Right Angle Mounting Ends	12	395260017	395260117	395260217	395260317	395260417	395260517	395260617	395260717	395260817	395260917	395261017	395261117	395261217	395261317	395261417	70.00	2.757	55.00	2.166	65.00	2.560
5.0mm Euro Header Right Angle Mounting Ends	13	395260018	395260118	395260218	395260318	395260418	395260518	395260618	395260718	395260818	395260918	395261018	395261118	395261218	395261318	395261418	75.00	2.954	60.00	2.363	70.00	2.757
5.0mm Euro Header Right Angle Mounting Ends	14	395260019	395260119	395260219	395260319	395260419	395260519	395260619	395260719	395260819	395260919	395261019	395261119	395261219	395261319	395261419	80.00	3.151	65.00	2.560	75.00	2.954
5.0mm Euro Header Right Angle Mounting Ends	15	395260020	395260120	395260220	395260320	395260420	395260520	395260620	395260720	395260820	395260920	395261020	395261120	395261220	395261320	395261420	85.00	3.348	70.00	2.757	80.00	3.151
5.0mm Euro Header Right Angle Mounting Ends	16	395260021	395260121	395260221	395260321	395260421	395260521	395260621	395260721	395260821	395260921	395261021	395261121	395261221	395261321	395261421	90.00	3.545	75.00	2.954	85.00	3.348
5.0mm Euro Header Right Angle Mounting Ends	17	395260022	395260122	395260222	395260322	395260422	395260522	395260622	395260722	395260822	395260922	395261022	395261122	395261222	395261322	395261422	95.00	3.742	80.00	3.151	90.00	3.545
5.0mm Euro Header Right Angle Mounting Ends	18	395260023	395260123	395260223	395260323	395260423	395260523	395260623	395260723	395260823	395260923	395261023	395261123	395261223	395261323	395261423	100.00	3.939	85.00	3.348	95.00	3.742
5.0mm Euro Header Right Angle Mounting Ends	19	395260024	395260124	395260224	395260324	395260424	395260524	395260624	395260724	395260824	395260924	395261024	395261124	395261224	395261324	395261424	105.00	4.136	90.00	3.545	100.00	3.939
5.0mm Euro Header Right Angle Mounting Ends	20	395260025	395260125	395260225	395260325	395260425	395260525	395260625	395260725	395260825	395260925	395261025	395261125	395261225	395261325	395261425	110.00	4.333	95.00	3.742	105.00	4.136
5.0mm Euro Header Right Angle Mounting Ends	21	395260026	395260126	395260226	395260326	395260426	395260526	395260626	395260726	395260826	395260926	395261026	395261126	395261226	395261326	395261426	115.00	4.530	100.00	3.939	110.00	4.333
5.0mm Euro Header Right Angle Mounting Ends	22	395260027	395260127	395260227	395260327	395260427	395260527	395260627	395260727	395260827	395260927	395261027	395261127	395261227	395261327	395261427	120.00	4.727	105.00	4.136	115.00	4.530
5.0mm Euro Header Right Angle Mounting Ends	23	395260028	395260128	395260228	395260328	395260428	395260528	395260628	395260728	395260828	395260928	395261028	395261128	395261228	395261328	395261428	125.00	4.924	110.00	4.333	120.00	4.727
5.0mm Euro Header Right Angle Mounting Ends	24	395260029	395260129	395260229	395260329	395260429	395260529	395260629	395260729	395260829	395260929	395261029	395261129	395261229	395261329	395261429	130.00	5.121	115.00	4.530	125.00	4.924

<b>SHT-2 WAS ME10 DOC</b> EC NO: PG2016-1279 2016/03/27 DRINKSTONE CHYKOH Z I E L I N S K I 2016/03/28 APPROBURET 2016/03/25	<b>QUALITY SYMBOLS</b> ▽=0 ▷=0	<b>GENERAL TOLERANCES (UNLESS SPECIFIED)</b>		<b>DIMENSION STYLE</b> MM/IN		<b>SCALE</b> 1:1	<b>DESIGN UNITS</b> INCH	<b>THIRD ANGLE PROJECTION</b>
		4 PLACES ± --- ± .0015 3 PLACES ± 0.038 ± .005 2 PLACES ± 0.13 ± .01 1 PLACE ± 0.3 ± --- 0 PLACE ± ±	mm INCH ± --- ± .0015 ± 0.038 ± .005 ± 0.13 ± .01 ± 0.3 ± --- ± ±	DRAWN BY LROTHAUS	DATE 12/16/05	<b>TITLE</b> 5.0MM, EURO HEADER, RIGHT ANGLE, MOUNTING		
		<b>DRAFT WHERE APPLICABLE MUST REMAIN WITHIN DIMENSIONS</b>		<b>MATERIAL NO.</b> SEE CHART		<b>DOCUMENT NO.</b> SD-39526-002		<b>SHEET NO.</b> 2 OF 2
<b>THIS DRAWING CONTAINS INFORMATION THAT IS PROPRIETARY TO MOLEX INCORPORATED AND SHOULD NOT BE USED WITHOUT WRITTEN PERMISSION</b>								

16\_Frame\_B\_P\_AM\_T 9 8 7 6 5 4 3 2 1 Rev E1 2012/01/25

10 9 8 7 6 5 4 3 2 1

Description	Circuit size	Material Numbers												Dimensional Information								
		Black						Green						Dim. A		Dim. B		Dim. C				
		100% Tin			30 u' Gold			100% Tin			30 u' Gold			mm		inch		mm		inch		
		Printing Options			Printing Options			Printing Options			Printing Options											
5.0mm, Euro Header, Right Angle, Mounting Ends	2	395260002	395260102	395260202	395260302	395260402	395260502	395260602	395260702	395260802	395260902	395261002	395261102	395261202	395261302	395261402	20.00	0.787	5.00	0.197	15.00	0.591
5.0mm, Euro Header, Right Angle, Mounting Ends	3	395260003	395260103	395260203	395260303	395260403	395260503	395260603	395260703	395260803	395260903	395261003	395261103	395261203	395261303	395261403	25.00	0.984	10.00	0.394	20.00	0.787
5.0mm, Euro Header, Right Angle, Mounting Ends	4	395260004	395260104	395260204	395260304	395260404	395260504	395260604	395260704	395260804	395260904	395261004	395261104	395261204	395261304	395261404	30.00	1.181	15.00	0.591	25.00	0.984
5.0mm, Euro Header, Right Angle, Mounting Ends	5	395260005	395260105	395260205	395260305	395260405	395260505	395260605	395260705	395260805	395260905	395261005	395261105	395261205	395261305	395261405	35.00	1.378	20.00	0.787	30.00	1.181
5.0mm, Euro Header, Right Angle, Mounting Ends	6	395260006	395260106	395260206	395260306	395260406	395260506	395260606	395260706	395260806	395260906	395261006	395261106	395261206	395261306	395261406	40.00	1.575	25.00	0.984	35.00	1.378
5.0mm, Euro Header, Right Angle, Mounting Ends	7	395260007	395260107	395260207	395260307	395260407	395260507	395260607	395260707	395260807	395260907	395261007	395261107	395261207	395261307	395261407	45.00	1.772	30.00	1.181	40.00	1.575
5.0mm, Euro Header, Right Angle, Mounting Ends	8	395260008	395260108	395260208	395260308	395260408	395260508	395260608	395260708	395260808	395260908	395261008	395261108	395261208	395261308	395261408	50.00	1.969	35.00	1.378	45.00	1.772
5.0mm, Euro Header, Right Angle, Mounting Ends	9	395260009	395260109	395260209	395260309	395260409	395260509	395260609	395260709	395260809	395260909	395261009	395261109	395261209	395261309	395261409	55.00	2.166	40.00	1.575	50.00	1.969
5.0mm, Euro Header, Right Angle, Mounting Ends	10	395260010	395260110	395260210	395260310	395260410	395260510	395260610	395260710	395260810	395260910	395261010	395261110	395261210	395261310	395261410	60.00	2.362	45.00	1.772	55.00	2.166
5.0mm, Euro Header, Right Angle, Mounting Ends	11	395260011	395260111	395260211	395260311	395260411	395260511	395260611	395260711	395260811	395260911	395261011	395261111	395261211	395261311	395261411	65.00	2.559	50.00	1.969	60.00	2.362
5.0mm, Euro Header, Right Angle, Mounting Ends	12	395260012	395260112	395260212	395260312	395260412	395260512	395260612	395260712	395260812	395260912	395261012	395261112	395261212	395261312	395261412	70.00	2.756	55.00	2.166	65.00	2.559
5.0mm, Euro Header, Right Angle, Mounting Ends	13	395260013	395260113	395260213	395260313	395260413	395260513	395260613	395260713	395260813	395260913	395261013	395261113	395261213	395261313	395261413	75.00	2.953	60.00	2.362	70.00	2.756
5.0mm, Euro Header, Right Angle, Mounting Ends	14	395260014	395260114	395260214	395260314	395260414	395260514	395260614	395260714	395260814	395260914	395261014	395261114	395261214	395261314	395261414	80.00	3.150	65.00	2.559	75.00	2.953
5.0mm, Euro Header, Right Angle, Mounting Ends	15	395260015	395260115	395260215	395260315	395260415	395260515	395260615	395260715	395260815	395260915	395261015	395261115	395261215	395261315	395261415	85.00	3.346	70.00	2.756	80.00	3.150
5.0mm, Euro Header, Right Angle, Mounting Ends	16	395260016	395260116	395260216	395260316	395260416	395260516	395260616	395260716	395260816	395260916	395261016	395261116	395261216	395261316	395261416	90.00	3.543	75.00	2.953	85.00	3.346
5.0mm, Euro Header, Right Angle, Mounting Ends	17	395260017	395260117	395260217	395260317	395260417	395260517	395260617	395260717	395260817	395260917	395261017	395261117	395261217	395261317	395261417	95.00	3.740	80.00	3.150	90.00	3.543
5.0mm, Euro Header, Right Angle, Mounting Ends	18	395260018	395260118	395260218	395260318	395260418	395260518	395260618	395260718	395260818	395260918	395261018	395261118	395261218	395261318	395261418	100.00	3.937	85.00	3.346	95.00	3.740
5.0mm, Euro Header, Right Angle, Mounting Ends	19	395260019	395260119	395260219	395260319	395260419	395260519	395260619	395260719	395260819	395260919	395261019	395261119	395261219	395261319	395261419	105.00	4.134	90.00	3.543	100.00	3.937
5.0mm, Euro Header, Right Angle, Mounting Ends	20	395260020	395260120	395260220	395260320	395260420	395260520	395260620	395260720	395260820	395260920	395261020	395261120	395261220	395261320	395261420	110.00	4.331	95.00	3.740	105.00	4.134
5.0mm, Euro Header, Right Angle, Mounting Ends	21	395260021	395260121	395260221	395260321	395260421	395260521	395260621	395260721	395260821	395260921	395261021	395261121	395261221	395261321	395261421	115.00	4.528	100.00	3.937	110.00	4.331
5.0mm, Euro Header, Right Angle, Mounting Ends	22	395260022	395260122	395260222	395260322	395260422	395260522	395260622	395260722	395260822	395260922	395261022	395261122	395261222	395261322	395261422	120.00	4.724	105.00	4.134	115.00	4.528
5.0mm, Euro Header, Right Angle, Mounting Ends	23	395260023	395260123	395260223	395260323	395260423	395260523	395260623	395260723	395260823	395260923	395261023	395261123	395261223	395261323	395261423	125.00	4.921	110.00	4.331	120.00	4.724
5.0mm, Euro Header, Right Angle, Mounting Ends	24	395260024	395260124	395260224	395260324	395260424	395260524	395260624	395260724	395260824	395260924	395261024	395261124	395261224	395261324	395261424	130.00	5.118	115.00	4.528	125.00	4.921

SEE SHEET 1 IEC NO. NEO2006-0310 DRAWN BY: LROTHAUS CHKD BY: YORK APPR: JFAMILK 2006/01/09 2006/01/10	QUALITY SYMBOLS ▽=0 ▽=0	GENERAL TOLERANCES (UNLESS SPECIFIED)		DIMENSION STYLE MM/IN		SCALE 4:1	DESIGN UNITS INCH	THIRD ANGLE PROJECTION
		4 PLACES	± ---	± .0015	DRAWN BY LROTHAUS	DATE 12/6/05	TITLE 5.0MM, EURO HEADER, RIGH ANGLE, MOUNTING	
		3 PLACES	± 0.038	± .005	CHECKED BY C. YORK	DATE 01/04/06		
		2 PLACES	± 0.13	± .01	APPROVED BY	DATE		
1 PLACE	± 0.3	± ---	MATERIAL NO. SEE CHART		DOCUMENT NO. SD-39526-002	SHEET NO. 2 OF 2		
DRAFT WHERE APPLICABLE MUST REMAIN WITHIN DIMENSIONS		ANGULAR ± 2 °		MOLEX INCORPORATED		THIS DRAWING CONTAINS INFORMATION THAT IS PROPRIETARY TO MOLEX INCORPORATED AND SHOULD NOT BE USED WITHOUT WRITTEN PERMISSION		

9 8 7 6 5 4 3 2 1