

Excellent Integrated System Limited

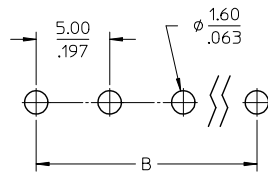
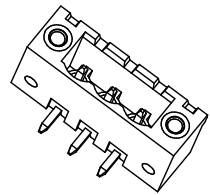
Stocking Distributor

Click to view price, real time Inventory, Delivery & Lifecycle Information:

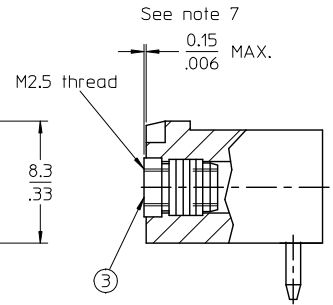
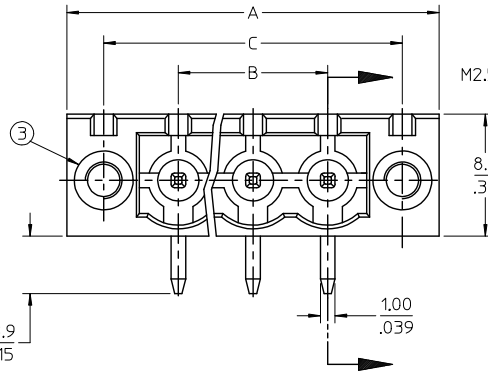
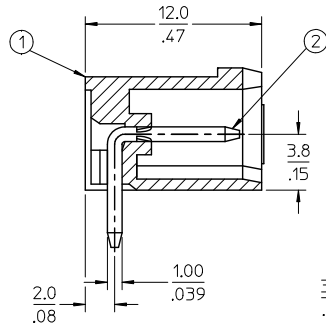
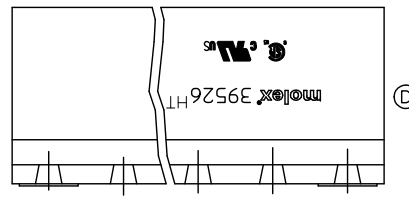
[Molex Connector Corporation](#)
[0395269006](#)

For any questions, you can email us directly:

sales@integrated-circuit.com



PTH LAYOUT



SPECIFICATIONS:

1. Material:
 - (1). Body: PA46, UL 94V-0
 - (2). Pin: Brass
 - (3). Threaded insert: Brass
2. Electrical rating: 300V, 15A
3. Wire strip length: N/A
3. Operating temperature: -40 to +120°C
5. Max. insert retention force: 11.02 lbf (49.03N)
6. Insulation resistance: DC 500V, 500M
7. Dielectric withstand: AC 2500V for 1 minute
8. Breakdown voltage: 4000V
9. Max soldering temp: 260°C (500°F) for 5 seconds
10. A = (B + 15.0mm)
11. B = (N - 1) x P
13. C = (B + 10mm)
12. P (PITCH) = 5.0mm (.197")
13. N = Number of positions available 2 through 24
14. Dims shown are for reference only

MOLEX SERIES WAS 3953X EC NO: IFC2015-1673 DRAWN BY: LROTHAUS CHECKED BY: C. YORK APPROVED BY:	2015/03/24 2015/03/24 2015/03/24 2015/03/24	DESCRIPTION D	QUALITY SYMBOLS	GENERAL TOLERANCES (UNLESS SPECIFIED)	DIMENSION STYLE	SCALE	DESIGN UNITS	THIRD ANGLE PROJECTION		
			$\nabla=0$ $\nabla=0$	mm INCH 4 PLACES ± --- ± --- 3 PLACES ± --- ± .005 2 PLACES ± 0.13 ± .01 1 PLACE ± 0.3 ± --- ANGULAR ± 2°	MM/IN	4:1	INCH	DRAWN BY: LROTHAUS DATE: 12/16/05 CHECKED BY: C. YORK DATE: 01/06/06 APPROVED BY: DATE:	TITLE	5.0MM, EURO HEADER, RIGHT ANGLE, HI-TEMP MOUNTING
			DRAFT WHERE APPLICABLE MUST REMAIN WITHIN DIMENSIONS	MATERIAL NO. SEE CHART	DOCUMENT NO. SD-39526-001	SHEET NO. 1 OF 2	MOLEX INCORPORATED			
			THIS DRAWING CONTAINS INFORMATION THAT IS PROPRIETARY TO MOLEX INCORPORATED AND SHOULD NOT BE USED WITHOUT WRITTEN PERMISSION							

