

Excellent Integrated System Limited

Stocking Distributor

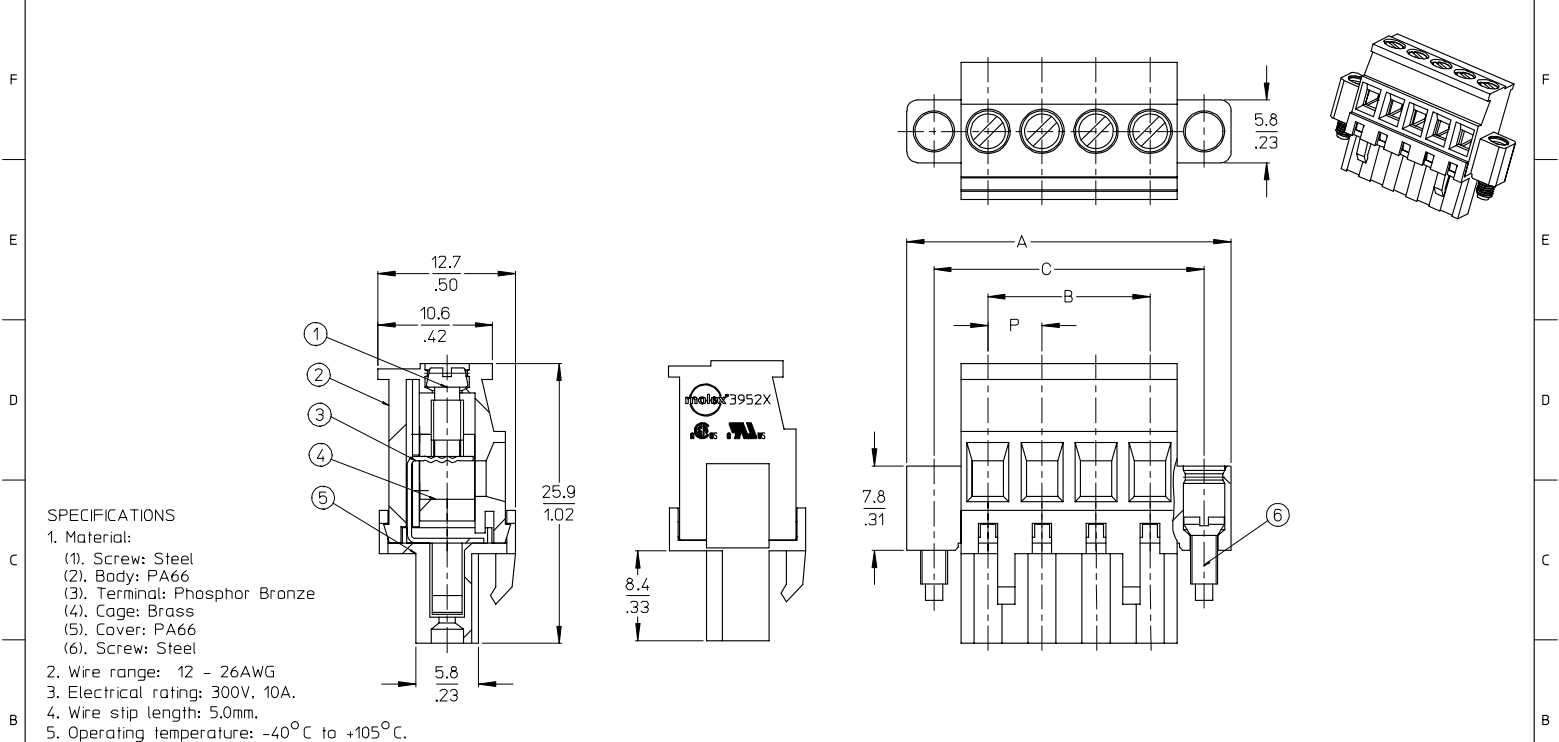
Click to view price, real time Inventory, Delivery & Lifecycle Information:

[Molex Connector Corporation](#)
[0395273017](#)

For any questions, you can email us directly:

sales@integrated-circuit.com

10 9 8 7 6 5 4 3 2 1



SPECIFICATIONS

1. Material:
 - (1). Screw: Steel
 - (2). Body: PA66
 - (3). Terminal: Phosphor Bronze
 - (4). Cage: Brass
 - (5). Cover: PA66
 - (6). Screw: Steel
2. Wire range: 12 - 26AWG
3. Electrical rating: 300V, 10A.
4. Wire strip length: 5.0mm.
5. Operating temperature: -40°C to +105°C.
6. Max torque: 3 in.-lbs.
7. Insulation resistance: DC 500V, 500 Megohms.
8. Dielectric withstand: AC 2500V for 1 minute
9. Breakdown voltage: 4000V
10. Contact resistance: <10 milliohms
11. DIM. A = (N + 2)X P
12. DIM. B = (N - 1)X P
13. DIM. C = (N + 1)X P
14. DIM. P (PITCH) = 5.00mm (.197")
15. N = Number of positions available 2 through 24.
16. ALL COMPONENTS ARE ROHS COMPLIANT.

RELEASE TO PROD EC NO: ETC2006-0308 DRAWN BY C. YORK 2006/03/16 CHECKED BY R. DEROSS 2006/03/16 APPROVED BY R. DEROSS 2006/03/16	QUALITY SYMBOLS ▽=0 ▽=0	GENERAL TOLERANCES (UNLESS SPECIFIED)		DIMENSION STYLE MM/IN		SCALE 3:1	DESIGN UNITS INCH	THIRD ANGLE PROJECTION		
		4 PLACES ±.30 ±.015	3 PLACES ±0.038 ±.005	2 PLACES ±0.13 ±.01	1 PLACE ±0.3 ±.---	DRAWN BY C. YORK DATE 2006/03/16	CHECKED BY R. DEROSS DATE 2006/03/16	TITLE 5.0MM, EURO PLUG, VERTICAL, REAR WIRE ENTRY WITH MOUNTING ENDS		
		ANGULAR ± 2°				APPROVED BY R. DEROSS DATE 2006/03/16	MOLEX INCORPORATED			
		DRAFT WHERE APPLICABLE MUST REMAIN WITHIN DIMENSIONS		MATERIAL NO. SEE SHT. 2 SIZE B	DOCUMENT NO. SD-39527-001	SHEET NO. 1 OF 2				

10 9 8 7 6 5 4 3 2 1

10 9 8 7 6 5 4 3 2 1

Description	Circuit size	Material Numbers												Dimensional Information						
		Black						Green						Dim A		Dim B		Dim C		
		100% Tin			30 u" Gold			100% Tin			30 u" Gold			mm	inch	mm	inch	mm	inch	
		Printing Options		11AV	Printing Options		11AV	Printing Options		11AV	Printing Options		11AV							
5.0mm Euro Plug, Vertical RWE, Mounting Ends	2	395273002	395273002	395273402	395273502	395273602	395273902	395273902	395278002	395278302	395278402	395278502	395278802	395278902	20.0	0.79	5.0	0.20	15.0	0.59
5.0mm Euro Plug, Vertical RWE, Mounting Ends	3	395273003	395273003	395273403	395273503	395273603	395273903	395273903	395278003	395278303	395278403	395278503	395278803	395278903	25.0	0.98	10.0	0.39	20.0	0.79
5.0mm Euro Plug, Vertical RWE, Mounting Ends	4	395273004	395273004	395273404	395273504	395273604	395273904	395273904	395278004	395278304	395278404	395278504	395278804	395278904	30.0	1.18	15.0	0.59	25.0	0.98
5.0mm Euro Plug, Vertical RWE, Mounting Ends	5	395273005	395273005	395273405	395273505	395273605	395273905	395273905	395278005	395278305	395278405	395278505	395278805	395278905	35.0	1.38	20.0	0.79	30.0	1.18
5.0mm Euro Plug, Vertical RWE, Mounting Ends	6	395273006	395273006	395273406	395273506	395273606	395273906	395273906	395278006	395278306	395278406	395278506	395278806	395278906	40.0	1.58	25.0	0.98	35.0	1.38
5.0mm Euro Plug, Vertical RWE, Mounting Ends	7	395273007	395273007	395273407	395273507	395273607	395273907	395273907	395278007	395278307	395278407	395278507	395278807	395278907	45.0	1.77	30.0	1.18	40.0	1.58
5.0mm Euro Plug, Vertical RWE, Mounting Ends	8	395273008	395273008	395273408	395273508	395273608	395273908	395273908	395278008	395278308	395278408	395278508	395278808	395278908	50.0	1.97	35.0	1.38	45.0	1.77
5.0mm Euro Plug, Vertical RWE, Mounting Ends	9	395273009	395273009	395273409	395273509	395273609	395273909	395273909	395278009	395278309	395278409	395278509	395278809	395278909	55.0	2.17	40.0	1.58	50.0	1.97
5.0mm Euro Plug, Vertical RWE, Mounting Ends	10	395273010	395273010	395273410	395273510	395273610	395273910	395273910	395278010	395278310	395278410	395278510	395278810	395278910	60.0	2.36	45.0	1.77	55.0	2.17
5.0mm Euro Plug, Vertical RWE, Mounting Ends	11	395273011	395273011	395273411	395273511	395273611	395273911	395273911	395278011	395278311	395278411	395278511	395278811	395278911	65.0	2.56	50.0	1.97	60.0	2.36
5.0mm Euro Plug, Vertical RWE, Mounting Ends	12	395273012	395273012	395273412	395273512	395273612	395273912	395273912	395278012	395278312	395278412	395278512	395278812	395278912	70.0	2.76	55.0	2.17	65.0	2.56
5.0mm Euro Plug, Vertical RWE, Mounting Ends	13	395273013	395273013	395273413	395273513	395273613	395273913	395273913	395278013	395278313	395278413	395278513	395278813	395278913	75.0	2.95	60.0	2.36	70.0	2.76
5.0mm Euro Plug, Vertical RWE, Mounting Ends	14	395273014	395273014	395273414	395273514	395273614	395273914	395273914	395278014	395278314	395278414	395278514	395278814	395278914	80.0	3.15	65.0	2.56	75.0	2.95
5.0mm Euro Plug, Vertical RWE, Mounting Ends	15	395273015	395273015	395273415	395273515	395273615	395273915	395273915	395278015	395278315	395278415	395278515	395278815	395278915	85.0	3.35	70.0	2.76	80.0	3.15
5.0mm Euro Plug, Vertical RWE, Mounting Ends	16	395273016	395273016	395273416	395273516	395273616	395273916	395273916	395278016	395278316	395278416	395278516	395278816	395278916	90.0	3.54	75.0	2.95	85.0	3.35
5.0mm Euro Plug, Vertical RWE, Mounting Ends	17	395273017	395273017	395273417	395273517	395273617	395273917	395273917	395278017	395278317	395278417	395278517	395278817	395278917	95.0	3.74	80.0	3.15	90.0	3.54
5.0mm Euro Plug, Vertical RWE, Mounting Ends	18	395273018	395273018	395273418	395273518	395273618	395273918	395273918	395278018	395278318	395278418	395278518	395278818	395278918	100.0	3.94	85.0	3.35	95.0	3.74
5.0mm Euro Plug, Vertical RWE, Mounting Ends	19	395273019	395273019	395273419	395273519	395273619	395273919	395273919	395278019	395278319	395278419	395278519	395278819	395278919	105.0	4.13	90.0	3.54	100.0	3.94
5.0mm Euro Plug, Vertical RWE, Mounting Ends	20	395273020	395273020	395273420	395273520	395273620	395273920	395273920	395278020	395278320	395278420	395278520	395278820	395278920	110.0	4.33	95.0	3.74	105.0	4.13
5.0mm Euro Plug, Vertical RWE, Mounting Ends	21	395273021	395273021	395273421	395273521	395273621	395273921	395273921	395278021	395278321	395278421	395278521	395278821	395278921	115.0	4.53	100.0	3.94	110.0	4.33
5.0mm Euro Plug, Vertical RWE, Mounting Ends	22	395273022	395273022	395273422	395273522	395273622	395273922	395273922	395278022	395278322	395278422	395278522	395278822	395278922	120.0	4.72	105.0	4.13	115.0	4.53
5.0mm Euro Plug, Vertical RWE, Mounting Ends	23	395273023	395273023	395273423	395273523	395273623	395273923	395273923	395278023	395278323	395278423	395278523	395278823	395278923	125.0	4.92	110.0	4.33	120.0	4.72
5.0mm Euro Plug, Vertical RWE, Mounting Ends	24	395273024	395273024	395273424	395273524	395273624	395273924	395273924	395278024	395278324	395278424	395278524	395278824	395278924	130.0	5.12	115.0	4.53	125.0	4.92

SEE SHEET 1 IEC NO. ETC 2006-0308 DRINK-YORK 2006/03/17 CHYK-DEROSS 2006/03/17 APPROVED 2006/03/17	QUALITY SYMBOLS ▽=0 ▽=0	GENERAL TOLERANCES (UNLESS SPECIFIED)		DIMENSION STYLE MM/IN	SCALE 3:1	DESIGN UNITS INCH	THIRD ANGLE PROJECTION
		4 PLACES ± --- ± .0015 3 PLACES ± 0.038 ± .005 2 PLACES ± 0.13 ± .01 1 PLACE ± 0.3 ± ---	mm INCH	DRAWN BY C. YORK DATE 2006/03/16	TITLE 5.0MM, EURO PLUG, VERTICAL, REAR WIRE ENTRY WITH MOUNTING ENDS		
		ANGULAR ± 2 °	CHECKED BY R. DEROSS DATE 2006/03/16	APPROVED BY R. DEROSS DATE 2006/03/16	MOLEX INCORPORATED		
		DRAFT WHERE APPLICABLE MUST REMAIN WITHIN DIMENSIONS	MATERIAL NO. SEE CHART	DOCUMENT NO. SD-39527-001	SHEET NO. 2 OF 2		

9 8 7 6 5 4 3 2 1