

Excellent Integrated System Limited

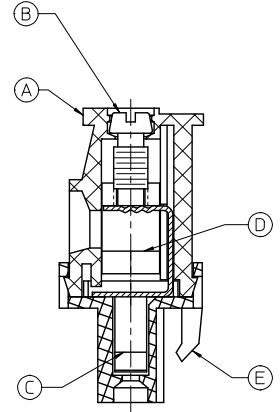
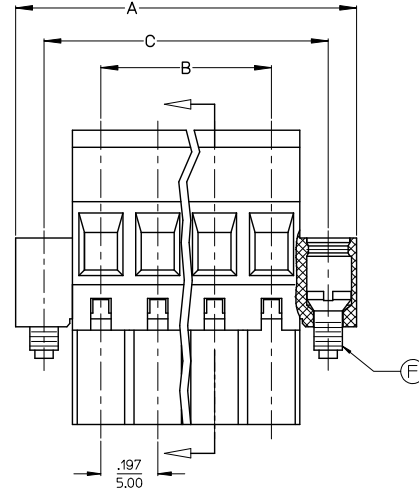
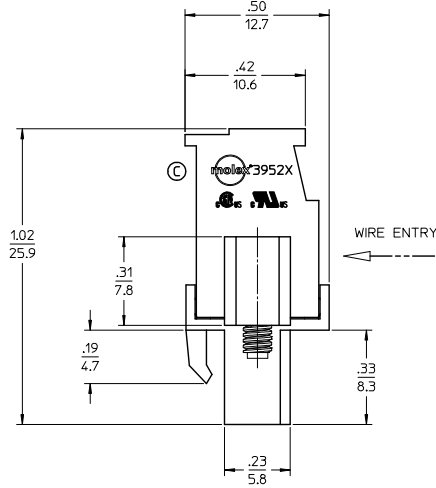
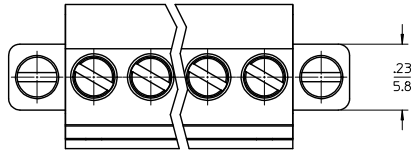
Stocking Distributor

Click to view price, real time Inventory, Delivery & Lifecycle Information:

[Molex Connector Corporation](#)
[0395277003](#)

For any questions, you can email us directly:

sales@integrated-circuit.com

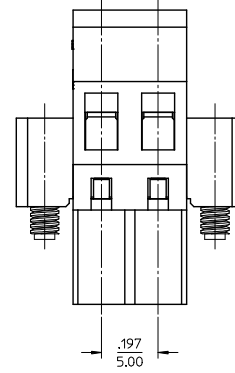
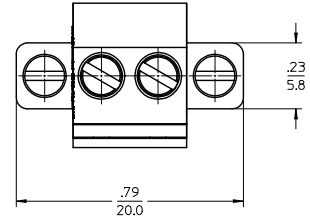
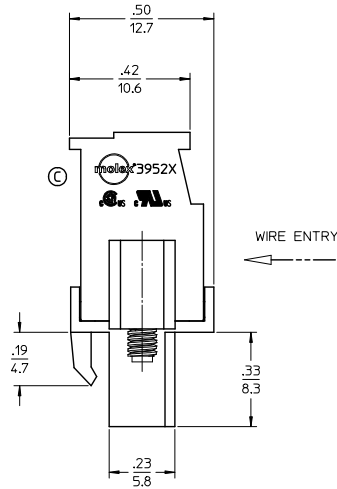
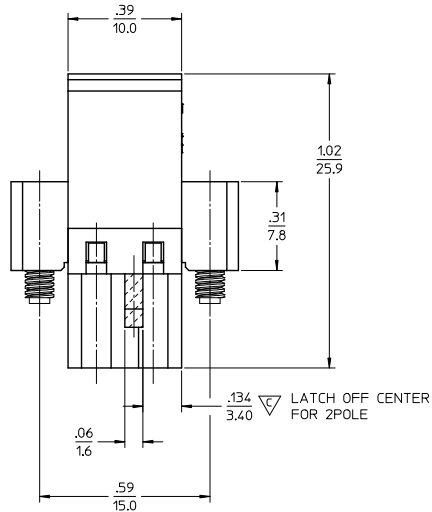


SPECIFICATIONS

- Material:
 - A. Body: PA66, UL94V-0
 - B. Clamp screw: M3-Steel, Zinc plated
 - C. Terminal: Copper alloy
 - D. Cage: Brass, Nickel plated
 - E. Cover: PA66, UL94V-0
 - F. Mfg. screw: M2.5-Steel, Zinc plated
- Wire range: 12 - 26AWG
- Electrical rating: 300V, 10A
- Wire strip length: 5.0mm
- Operating temperature: -40°C to +105°C
- Max torque: 3 in.-lbs.
- Insulation resistance: DC 500V, 500 Megohms
- Dielectric withstand: AC 2500V for 1 minute
- Breakdown voltage: 4000V
- Contact resistance: <10 milliohms
- N = Number of positions available 2 - 24 (see sheet 3)
- Dims. shown are for reference only

REF. THIS DRAWING SUPERSEDES ME10 DOC. SD-39527-002 REV-B
SEE SHEET 2 FOR 2 POLE PLUG ASSEMBLY

REV'D MX LOGO & SERIES EC NO: IPG2015-0857 DRAWN BY: RSTONE 2014/11/05 CHECKED BY: B ARDEN 2014/11/06 APPR: J MURPHY 2015/04/22	QUALITY SYMBOLS ▽=0 ▽=1	GENERAL TOLERANCES (UNLESS SPECIFIED)		DIMENSION STYLE IN/MM		SCALE 3:1	DESIGN UNITS METRIC	THIRD ANGLE PROJECTION				
		4 PLACES ± --- ± ---	DRAWN BY RSTONE	DATE 2014/07/22	TITLE 5.0MM EURO PLUG ASSY VERTICAL RWE WITH MOUNTING ENDS							
		3 PLACES ± --- ± .005	CHECKED BY B ARDEN	DATE 2014/07/25	MATERIAL NO. SEE SHEET 3						DOCUMENT NO. SD-39527-002	SHEET NO. 1 OF 3
		2 PLACES ± 0.13 ± .01	APPROVED BY JFMURPHY	DATE 2014/08/02	DRAFT WHERE APPLICABLE MUST REMAIN WITHIN DIMENSIONS						THIS DRAWING CONTAINS INFORMATION THAT IS PROPRIETARY TO MOLEX INCORPORATED AND SHOULD NOT BE USED WITHOUT WRITTEN PERMISSION	
1 PLACE ± 0.3 ± ---												
		ANGULAR ± --- °										



2 POLE ASSEMBLY FOR STANDARD LATCH POSITION

SEE SHEET 1 FOR SPECIFICATIONS

REVD: MX LOGO & SERIES EC NO: IPG2015-0857 DRAWN BY: RSTONE 2014/11/05 CHKD BY: B ARDEN 2014/11/06 APPR: J MURPHY 2015/04/22	QUALITY SYMBOLS ▽=0 ▽=0	GENERAL TOLERANCES (UNLESS SPECIFIED)		DIMENSION STYLE IN/MM		SCALE 1:1	DESIGN UNITS METRIC	THIRD ANGLE PROJECTION	
		4 PLACES ± --- ± ---	3 PLACES ± --- ± .005	DRAWN BY RSTONE	DATE 2014/07/22	TITLE 5.0MM EURO PLUG ASSY VERTICAL RWE WITH MOUNTING ENDS			
		2 PLACES ± 0.13 ± .01	1 PLACE ± 0.3 ± ---	CHECKED BY B ARDEN	DATE 2014/07/25	APPROVED BY JFMURPHY			
		0 PLACE ± --- ± ---	ANGULAR ± --- °	MATERIAL NO. SEE SHEET 3	DATE 2014/08/02	DOCUMENT NO. SD-39527-002	SHEET NO. 2 OF 3		
DRAFT WHERE APPLICABLE MUST REMAIN WITHIN DIMENSIONS		THIS DRAWING CONTAINS INFORMATION THAT IS PROPRIETARY TO MOLEX INCORPORATED AND SHOULD NOT BE USED WITHOUT WRITTEN PERMISSION							

Circuit size	Description	Material Numbers												Dimensional Information							
		Black						Green						Dim. A		Dim B		Dim C			
		100% Tin			30 u" Gold			100% Tin			30 u" Gold			mm	inch	mm	inch	mm	inch		
Printing Options			Printing Options			Printing Options			Printing Options												
None	10AV	11AV	None	10AV	11AV	None	10AV	11AV	None	10AV	11AV	None	10AV	11AV							
2	5.0mm, Euro Plug, Vertical FWE, Mounting Ends	395272002	395272302	395272402	395272502	395272602	395272702	395272802	395272902	395273002	395273102	395273202	395273302	395273402	395273502	20.0	0.79	5.0	0.20	15.0	0.59
3	5.0mm, Euro Plug, Vertical FWE, Mounting Ends	395272003	395272303	395272403	395272503	395272603	395272703	395272803	395272903	395273003	395273103	395273203	395273303	395273403	395273503	25.0	0.96	10.0	0.39	20.0	0.79
4	5.0mm, Euro Plug, Vertical FWE, Mounting Ends	395272004	395272304	395272404	395272504	395272604	395272704	395272804	395272904	395273004	395273104	395273204	395273304	395273404	395273504	30.0	1.18	15.0	0.59	25.0	0.98
5	5.0mm, Euro Plug, Vertical FWE, Mounting Ends	395272005	395272305	395272405	395272505	395272605	395272705	395272805	395272905	395273005	395273105	395273205	395273305	395273405	395273505	35.0	1.36	20.0	0.79	30.0	1.18
6	5.0mm, Euro Plug, Vertical FWE, Mounting Ends	395272006	395272306	395272406	395272506	395272606	395272706	395272806	395272906	395273006	395273106	395273206	395273306	395273406	395273506	40.0	1.56	25.0	0.98	35.0	1.39
7	5.0mm, Euro Plug, Vertical FWE, Mounting Ends	395272007	395272307	395272407	395272507	395272607	395272707	395272807	395272907	395273007	395273107	395273207	395273307	395273407	395273507	45.0	1.77	30.0	1.18	40.0	1.58
8	5.0mm, Euro Plug, Vertical FWE, Mounting Ends	395272008	395272308	395272408	395272508	395272608	395272708	395272808	395272908	395273008	395273108	395273208	395273308	395273408	395273508	50.0	1.97	35.0	1.38	45.0	1.77
9	5.0mm, Euro Plug, Vertical FWE, Mounting Ends	395272009	395272309	395272409	395272509	395272609	395272709	395272809	395272909	395273009	395273109	395273209	395273309	395273409	395273509	55.0	2.17	40.0	1.58	50.0	1.97
10	5.0mm, Euro Plug, Vertical FWE, Mounting Ends	395272010	395272310	395272410	395272510	395272610	395272710	395272810	395272910	395273010	395273110	395273210	395273310	395273410	395273510	60.0	2.38	45.0	1.77	55.0	2.17
11	5.0mm, Euro Plug, Vertical FWE, Mounting Ends	395272011	395272311	395272411	395272511	395272611	395272711	395272811	395272911	395273011	395273111	395273211	395273311	395273411	395273511	65.0	2.58	50.0	1.97	60.0	2.38
12	5.0mm, Euro Plug, Vertical FWE, Mounting Ends	395272012	395272312	395272412	395272512	395272612	395272712	395272812	395272912	395273012	395273112	395273212	395273312	395273412	395273512	70.0	2.76	55.0	2.17	65.0	2.59
13	5.0mm, Euro Plug, Vertical FWE, Mounting Ends	395272013	395272313	395272413	395272513	395272613	395272713	395272813	395272913	395273013	395273113	395273213	395273313	395273413	395273513	75.0	2.95	60.0	2.36	70.0	2.76
14	5.0mm, Euro Plug, Vertical FWE, Mounting Ends	395272014	395272314	395272414	395272514	395272614	395272714	395272814	395272914	395273014	395273114	395273214	395273314	395273414	395273514	80.0	3.15	65.0	2.58	75.0	2.95
15	5.0mm, Euro Plug, Vertical FWE, Mounting Ends	395272015	395272315	395272415	395272515	395272615	395272715	395272815	395272915	395273015	395273115	395273215	395273315	395273415	395273515	85.0	3.35	70.0	2.76	80.0	3.15
16	5.0mm, Euro Plug, Vertical FWE, Mounting Ends	395272016	395272316	395272416	395272516	395272616	395272716	395272816	395272916	395273016	395273116	395273216	395273316	395273416	395273516	90.0	3.54	75.0	2.95	85.0	3.35
17	5.0mm, Euro Plug, Vertical FWE, Mounting Ends	395272017	395272317	395272417	395272517	395272617	395272717	395272817	395272917	395273017	395273117	395273217	395273317	395273417	395273517	95.0	3.74	80.0	3.15	90.0	3.54
18	5.0mm, Euro Plug, Vertical FWE, Mounting Ends	395272018	395272318	395272418	395272518	395272618	395272718	395272818	395272918	395273018	395273118	395273218	395273318	395273418	395273518	100.0	3.94	85.0	3.35	95.0	3.74
19	5.0mm, Euro Plug, Vertical FWE, Mounting Ends	395272019	395272319	395272419	395272519	395272619	395272719	395272819	395272919	395273019	395273119	395273219	395273319	395273419	395273519	105.0	4.13	90.0	3.54	100.0	3.94
20	5.0mm, Euro Plug, Vertical FWE, Mounting Ends	395272020	395272320	395272420	395272520	395272620	395272720	395272820	395272920	395273020	395273120	395273220	395273320	395273420	395273520	110.0	4.33	95.0	3.74	105.0	4.13
21	5.0mm, Euro Plug, Vertical FWE, Mounting Ends	395272021	395272321	395272421	395272521	395272621	395272721	395272821	395272921	395273021	395273121	395273221	395273321	395273421	395273521	115.0	4.53	100.0	3.94	110.0	4.33
22	5.0mm, Euro Plug, Vertical FWE, Mounting Ends	395272022	395272322	395272422	395272522	395272622	395272722	395272822	395272922	395273022	395273122	395273222	395273322	395273422	395273522	120.0	4.72	105.0	4.13	115.0	4.53
23	5.0mm, Euro Plug, Vertical FWE, Mounting Ends	395272023	395272323	395272423	395272523	395272623	395272723	395272823	395272923	395273023	395273123	395273223	395273323	395273423	395273523	125.0	4.92	110.0	4.23	120.0	4.72
24	5.0mm, Euro Plug, Vertical FWE, Mounting Ends	395272024	395272324	395272424	395272524	395272624	395272724	395272824	395272924	395273024	395273124	395273224	395273324	395273424	395273524	130.0	5.12	115.0	4.53	125.0	4.92

SEE SHEET 2 IEC NO: IPG2015-0657 2014/11/06 CHIKOB ARDEN APPRO: JFMURPHY 2015/04/22	QUALITY SYMBOLS ▽=0 ▽=0	GENERAL TOLERANCES (UNLESS SPECIFIED)		DIMENSION STYLE		SCALE	DESIGN UNITS	THIRD ANGLE PROJECTION	
		mm	INCH	IN/MM		1:1	METRIC		
		4 PLACES ±---	±---	DRAWN BY	DATE	TITLE			
		3 PLACES ±---	±.005	RSTONE	2014/07/22	5.0MM EURO PLUG ASSY VERTICAL RWE WITH MOUNTING ENDS			
2 PLACES ±0.13	±.01	CHECKED BY	DATE						
1 PLACE ±0.3	±---	B ARDEN	2014/07/25						
0 PLACE ±---	±---	APPROVED BY	DATE						
ANGULAR ±---		MATERIAL NO.		DOCUMENT NO.		SHEET NO.			
DRAFT WHERE APPLICABLE MUST REMAIN WITHIN DIMENSIONS		SEE CHART		SD-39527-002		3 OF 3			
THIS DRAWING CONTAINS INFORMATION THAT IS PROPRIETARY TO MOLEX INCORPORATED AND SHOULD NOT BE USED WITHOUT WRITTEN PERMISSION									

10 9 8 7 6 5 4 3 2 1

Description	Circuit size	Material Numbers												Dimensional Information								
		Black						Green						Dim A			Dim B			Dim C		
		100% Tin			30 u' Gold			100% Tin			30 u' Gold			mm	inch	mm	inch	mm	inch	mm	inch	
		Printing Options		None	10AV	11AV	Printing Options		None	10AV	11AV	Printing Options		None	10AV	11AV	Printing Options		None	10AV	11AV	
5.0mm Euro Plug, Vertical FWE, Mounting Ends	2	395272002	395272402	395272402	395272502	395272802	395272902	395277002	395277302	395277402	395277502	395277802	395277902	20.0	0.79	5.0	0.20	15.0	0.59			
5.0mm Euro Plug, Vertical FWE, Mounting Ends	3	395272003	395272403	395272403	395272503	395272803	395272903	395277003	395277303	395277403	395277503	395277803	395277903	25.0	0.98	10.0	0.39	20.0	0.79			
5.0mm Euro Plug, Vertical FWE, Mounting Ends	4	395272004	395272404	395272404	395272504	395272804	395272904	395277004	395277304	395277404	395277504	395277804	395277904	30.0	1.18	15.0	0.59	25.0	0.98			
5.0mm Euro Plug, Vertical FWE, Mounting Ends	5	395272005	395272405	395272405	395272505	395272805	395272905	395277005	395277305	395277405	395277505	395277805	395277905	35.0	1.38	20.0	0.79	30.0	1.18			
5.0mm Euro Plug, Vertical FWE, Mounting Ends	6	395272006	395272406	395272406	395272506	395272806	395272906	395277006	395277306	395277406	395277506	395277806	395277906	40.0	1.58	25.0	0.98	35.0	1.38			
5.0mm Euro Plug, Vertical FWE, Mounting Ends	7	395272007	395272407	395272407	395272507	395272807	395272907	395277007	395277307	395277407	395277507	395277807	395277907	45.0	1.77	30.0	1.18	40.0	1.58			
5.0mm Euro Plug, Vertical FWE, Mounting Ends	8	395272008	395272408	395272408	395272508	395272808	395272908	395277008	395277308	395277408	395277508	395277808	395277908	50.0	1.97	35.0	1.38	45.0	1.77			
5.0mm Euro Plug, Vertical FWE, Mounting Ends	9	395272009	395272409	395272409	395272509	395272809	395272909	395277009	395277309	395277409	395277509	395277809	395277909	55.0	2.17	40.0	1.58	50.0	1.97			
5.0mm Euro Plug, Vertical FWE, Mounting Ends	10	395272010	395272410	395272410	395272510	395272810	395272910	395277010	395277310	395277410	395277510	395277810	395277910	60.0	2.36	45.0	1.77	55.0	2.17			
5.0mm Euro Plug, Vertical FWE, Mounting Ends	11	395272011	395272411	395272411	395272511	395272811	395272911	395277011	395277311	395277411	395277511	395277811	395277911	65.0	2.56	50.0	1.97	60.0	2.36			
5.0mm Euro Plug, Vertical FWE, Mounting Ends	12	395272012	395272412	395272412	395272512	395272812	395272912	395277012	395277312	395277412	395277512	395277812	395277912	70.0	2.76	55.0	2.17	65.0	2.56			
5.0mm Euro Plug, Vertical FWE, Mounting Ends	13	395272013	395272413	395272413	395272513	395272813	395272913	395277013	395277313	395277413	395277513	395277813	395277913	75.0	2.95	60.0	2.36	70.0	2.76			
5.0mm Euro Plug, Vertical FWE, Mounting Ends	14	395272014	395272414	395272414	395272514	395272814	395272914	395277014	395277314	395277414	395277514	395277814	395277914	80.0	3.15	65.0	2.56	75.0	2.95			
5.0mm Euro Plug, Vertical FWE, Mounting Ends	15	395272015	395272415	395272415	395272515	395272815	395272915	395277015	395277315	395277415	395277515	395277815	395277915	85.0	3.35	70.0	2.76	80.0	3.15			
5.0mm Euro Plug, Vertical FWE, Mounting Ends	16	395272016	395272416	395272416	395272516	395272816	395272916	395277016	395277316	395277416	395277516	395277816	395277916	90.0	3.54	75.0	2.95	85.0	3.35			
5.0mm Euro Plug, Vertical FWE, Mounting Ends	17	395272017	395272417	395272417	395272517	395272817	395272917	395277017	395277317	395277417	395277517	395277817	395277917	95.0	3.74	80.0	3.15	90.0	3.54			
5.0mm Euro Plug, Vertical FWE, Mounting Ends	18	395272018	395272418	395272418	395272518	395272818	395272918	395277018	395277318	395277418	395277518	395277818	395277918	100.0	3.94	85.0	3.35	95.0	3.74			
5.0mm Euro Plug, Vertical FWE, Mounting Ends	19	395272019	395272419	395272419	395272519	395272819	395272919	395277019	395277319	395277419	395277519	395277819	395277919	105.0	4.13	90.0	3.54	100.0	3.94			
5.0mm Euro Plug, Vertical FWE, Mounting Ends	20	395272020	395272420	395272420	395272520	395272820	395272920	395277020	395277320	395277420	395277520	395277820	395277920	110.0	4.33	95.0	3.74	105.0	4.13			
5.0mm Euro Plug, Vertical FWE, Mounting Ends	21	395272021	395272421	395272421	395272521	395272821	395272921	395277021	395277321	395277421	395277521	395277821	395277921	115.0	4.53	100.0	3.94	110.0	4.33			
5.0mm Euro Plug, Vertical FWE, Mounting Ends	22	395272022	395272422	395272422	395272522	395272822	395272922	395277022	395277322	395277422	395277522	395277822	395277922	120.0	4.72	105.0	4.13	115.0	4.53			
5.0mm Euro Plug, Vertical FWE, Mounting Ends	23	395272023	395272423	395272423	395272523	395272823	395272923	395277023	395277323	395277423	395277523	395277823	395277923	125.0	4.92	110.0	4.33	120.0	4.72			
5.0mm Euro Plug, Vertical FWE, Mounting Ends	24	395272024	395272424	395272424	395272524	395272824	395272924	395277024	395277324	395277424	395277524	395277824	395277924	130.0	5.12	115.0	4.53	125.0	4.92			

SEE SHEET 1 IEC NO: EIC2006-0308 DRAWN BY: C. YORK CHK'D BY: R. DEROSS APPROVED BY: R. DEROSS DATE: 2006/03/16 DATE: 2006/03/16 DATE: 2006/03/16	QUALITY SYMBOLS ▽=0 ▽=0	GENERAL TOLERANCES (UNLESS SPECIFIED)		DIMENSION STYLE	SCALE	DESIGN UNITS	THIRD ANGLE PROJECTION	
		mm	INCH	MM/IN	3:1	INCH		
		4 PLACES ± --- ± .0015	3 PLACES ± 0.038 ± .005	DRAWN BY	DATE	TITLE		
		2 PLACES ± 0.13 ± .01	1 PLACE ± 0.3 ± ---	C. YORK	2006/03/16	5.0MM, EURO PLUG, VERTICAL, FRONT WIRE ENTRY WITH MOUNTING ENDS		
ANGULAR ± 2°		CHECKED BY	DATE	MOLEX INCORPORATED				
DRAFT WHERE APPLICABLE MUST REMAIN WITHIN DIMENSIONS		APPROVED BY	DATE	MATERIAL NO.	DOCUMENT NO.	SHEET NO.		
		R. DEROSS	2006/03/16	SEE CHART	SD-39527-002	2 OF 2		
		THIS DRAWING CONTAINS INFORMATION THAT IS PROPRIETARY TO MOLEX INCORPORATED AND SHOULD NOT BE USED WITHOUT WRITTEN PERMISSION						

9 8 7 6 5 4 3 2 1